

HOLOBAY™
LED High Bay
Wet Location Listed
HOLO1 (Small Optical)



**HOLO1
(Small Electrical)**



**HOLO1 HA
(Large Electrical)**



Catalog Number	
Notes	Type

Description

The low profile HOLOBAY™ LED is the next generation of robust round high bays for the most demanding environments. Designed with features and unmatched electrical, environmental and thermal ratings while providing superior efficiency, visual comfort, exceptional illumination and ease of installation.

Optics

- Prismatic borosilicate glass maintains the highest levels of luminosity over time.
- Glass doesn't fade, discolor, or otherwise degrade in harsh environments.
- Optional silicone rubber lens that will not brown, chip, shatter, or break.
- Five distributions available to achieve results from any mounting height.
- Prismatic optics combined with high efficiency LEDs achieve maximum spacing and superior uniformity.
- Optional uplight module provides 12-15% more output.
- Optics can be installed facing down or inverted (IVO)
- Certain airborne contaminants may adversely affect the functioning of LEDs and other electronic components, depending on various factors such as concentrations of the contaminants, ventilation, and temperature at the end-user location [Click here for a list of substances that may not be suitable for interaction with LEDs and other electronic components.](#)

Mechanical

- Robust A380 cast aluminum housing with low copper content (3.5%) withstands hot and dirty environments.
- Super durable TGIC thermoset powder coat finish coupled with corrosion resistant primer is a five-stage pre-treating and painting process that yields over 5,000 hours salt rating per ASTM B117.
- Stainless steel hardware (410SS).
- Hinged electrical enclosure for easy access to components.
- Includes 2 additional 3/4" NPT hubs (uses A356.0-T6 aluminum plugs) for wiring access in addition to the center pendant opening.
- Standard non-silicone gasket (EPDM).

Installation

- Pendant Mount (PM, QD, NDT), 3/4" NPT hub
- Surface Mount (QD, NDT, YK90)
- Hook Mount (7 hook/loop options)
- Universal Power Hook (UPH/PHCB)
- Suspended Mount (Aircraft Cable: AC or ACSS)
- Wall Mount (072331, 072332)
- Twin Arm Mount (TA, HOLOTWINARM)
- Retrofit (NR, QR), existing QDH or NDT top required

Electrical

- MVOLT (120-277V) Thermally protected, resetting, Class P, UL listed, CSA certified driver.
- XVOLT (277-480V) is a robust driver solution designed to assist with power quality issues and a dropped neutral in 277V input as derived from 480V Wye.
- Fault-tolerant LED light engine continues to provide light even in the failure of one LED.
- FCC Title 47, Part 15, Subpart A Compliant.
- 0-10V Dimming driver is standard, dims to 10%.
- 10kV/5kA surge rated per ANSI C82.77-5-2015 is standard for HOLO1 (small electrical).
- 20 kV/10kA surge rated per ANSI C82.77-5-2015 is optional for HOLO1 (small electrical) and standard for HOLO1 HA (large electrical).
- Sulfur robust light engine is standard ‡

Listings

- CSA Certified to meet US and Canadian standards
- NOM Certified
- Suitable for use in wet locations
- -40°F (-40°C) to 176°F (80°C) ([see chart on page 6](#))
- 1G rated per ANSI C136.31
- IP65, IP66 rated per IEC60529
- NEMA 4X rated

Warranty

5-year limited warranty. This is the only warranty provided and no other statements in this specification sheet create any warranty of any kind. All other express and implied warranties are disclaimed. Complete warranty terms located at: www.acuitybrands.com/support/warranty/terms-and-conditions

NOTE: Actual performance may differ as a result of end-user environment and application. All values are design or typical values, measured under laboratory conditions at 25 °C.

‡ Upgraded LED boards with sulfur robust solution does not change the warranty and standard terms apply which will not cover any damage due to exposure from sulfur.

Typical Applications

- Airplane Hanger
- Athletic Facility
- Automotive
- Foundry
- Heavy Industrial
- Large Indoor
- Manufacturing
- Natatorium
- Pulp & Paper Mill
- Retail
- Steel Mill
- Warehouse

Dimensions: Inches (millimeters) unless otherwise noted.

- Diameter: 19.2in (487.68mm)
- HOLO1 (Small Optical, Small Electrical)
Height: 6.7in (170.18mm)
- HOLO1 (Small Optical, Small Electrical)
Weight: 33lbs (14.97kg)
- HOLO1 HA (Small Optical, Large Electrical)
Height: 7.1in (180.34mm)
- HOLO1 HA (Small Optical, Large Electrical)
Weight: 35lbs (15.88kg)
- HOLO1 (Pallet Size): 16 fixtures per pallet

ORDERING INFORMATION

Example: HOL01 2400LM MD MVOLT 40K 80CRI PM HA MISC DWHXD

Series	Lumens	Distribution	Voltage	Color Temperature	CRI	Mounting	
HOL01 Small Optical	12000LM	12,000 Nominal Lumens	AD Aisle Glass	MVOLT 120-277VAC, 50/60 Hz	30K 3000K CCT	70CRI 70 CRI	PM Pendant Mount
	15000LM	15,000 Nominal Lumens	ADFR Aisle Frosted Glass	120 120VAC, 50/60 Hz	35K 3500K CCT	80CRI 80 CRI	QD Quick Disconnect †
	18000LM	18,000 Nominal Lumens	FD Focus Glass	208 208VAC, 50/60 Hz	40K 4000K CCT	90CRI 90 CRI	QR Quick Disconnect Retrofit †
	24000LM	24,000 Nominal Lumens	FDFR Focus Frosted Glass	240 240VAC, 50/60 Hz	50K 5000K CCT		NDT Non-Disconnect Thru-Wire †
	30000LM	30,000 Nominal Lumens	FSMG Focus Smooth Glass	277 277VAC, 50/60 Hz			NR Non-Disconnect Thru-Wire Retrofit †
	35000LM	35,000 Nominal Lumens	MD Medium Glass	XVOLT 277-480VAC, 50/60 Hz			YK90 Yoke Mount (3045S)
	40000LM	40,000 Nominal Lumens	MDFR Medium Frosted Glass	277X 277X, 50/60Hz			
	45000LM	45,000 Nominal Lumens	ND Narrow Glass	347X 347VAC, 50/60 Hz			
	50000LM	50,000 Nominal Lumens	NDFR Narrow Frosted Glass	480X 480VAC, 50/60 Hz			
	60000LM	60,000 Nominal Lumens	WD Wide Glass	125VDC 125V, DC Driver †			
			WDFR Wide Frosted Glass	250VDC 250V, DC Driver †			

Options			Primary Finish
<p>Emergency:</p> <p>ETS Emergency lighting control device for UL924 operation when using auxiliary generator or central inverter †</p> <p>IE07WCPHECW 7W Emergency battery pack, dual stage output, title 20 compliant, UL924 compliant, self-diagnostic, cold weather (-20°), internally mounted, wet location (120-277V) †</p> <p>IE18WCPHECWR 18W Emergency battery pack, constant power, title 20 compliant, UL924 compliant, IP67 test switch, cold weather (-20°), remote mounted, wet location (120-277V) †</p> <p>IE20WCPHER 20W Emergency battery pack, constant power, title 20 compliant, UL924 compliant, self-diagnostic, (0°), remote mounted, damp location (120-480V) †</p> <p>IE30WCPHER 30W Emergency battery pack, constant power, title 20 compliant, UL924 compliant, self-diagnostic, (0°), remote mounted, damp location (120-480V) †</p> <p>EMR Red emergency indicator, center cover plate painted red</p> <p>2470P 24/7 Operation with emergency battery and 3 conductor cord or plug †</p> <p>Surge Protection:</p> <p>(blank) 10kV/5kA surge protection based on voltage selected (120-480V)</p> <p>SPD20KV 20kV/10kA surge protection for 120-277V †</p> <p>SPD20KVH 20kV/10kA surge protection for 347-480V †</p> <p>Sensor Switch Embedded Controls:</p> <p>SBG6 360° High Mount Sensor, (15-30' mounting heights, more options available), on/off occupancy</p> <p>SBG10 OCC BTP 360° Low Mount Sensor, (8-15' mounting heights, more options available), on/off occupancy, utilizes smart hub for Bluetooth® programmability †</p> <p>See chart for additional control options</p> <p>nLight® Embedded Controls:</p> <p>NLTAIR2 Embedded wireless controls by nLight</p> <p>NLTAIR2 APIR Embedded wireless controls by nLight, Passive Infrared Occ sensor with auto-dimming photocell</p> <p>NLTAIR2KO Embedded wireless controls by nLight, control mounted external to the luminaire via a KO †</p> <p>NLTAIR2KX2 Embedded wireless controls by nLight, 2 separate controls mounted external to the luminaire via a KO for independent control of uplight and downlight †</p> <p>NLIGHTKO Embedded wired controls by nLight, control mounted external to the luminaire via a KO †</p> <p>NLIGHTKX2 Embedded wired controls by nLight, 2 separate controls mounted external to the luminaire via a KO for independent control of uplight and downlight †</p> <p>See chart for additional control options</p>	<p>Cord Sets:</p> <p>CNP16W Cord, no plug, 16 gauge, 3 conductors, white, wet or damp locations, 6 feet, other lengths available</p> <p>CNP164CW Cord, no plug, 16 gauge, 4 conductors for use with EM battery, white, wet or damp locations, 6 feet, other lengths available †</p> <p>CNP165CW Cord, no plug, 16 gauge, 5 conductors for use with ER controls or ETS device with 2 power sources, white, wet or damp locations, 6 feet, other lengths available †</p> <p>CNP165CDW Cord, no plug, 16 gauge, 5 conductors for 0-10V dimming, white, wet or damp locations, 6 feet, other lengths available †</p> <p>CPTL16W Cord with NEMA twist lock 15 amp plug, 16 gauge, white, damp location, 6 feet, other lengths available</p> <p>CPTL16WWL Cord with NEMA twist lock 15 amp plug, 16 gauge, white, wet location, 6 feet, other lengths available</p> <p>CPTL20A16W Cord with NEMA twist lock 20 amp plug, 16 gauge, white, damp location, 6 feet, other lengths available</p> <p>CPTL20A16WWL Cord with NEMA twist lock 20 amp plug, 16 gauge, white, wet location, 6 feet, other lengths available</p> <p>CPSB16W Cord with NEMA straight blade 15 amp plug, white, damp location, 6 feet, other lengths available</p> <p>CMCMBH16YWL Cord with Brad Mini Change® male connector, non-metallic coupling nut, 3 pole, 16 gauge, yellow, wet location, 6 feet, other lengths available †</p> <p>MCRMBH16WL Receptacle with Brad Mini Change® male connector, stainless steel coupling nut, 3 pole, 16 gauge leads, wet location</p> <p>See chart for additional cordset options</p> <p>Reloc®:</p> <p>OCS Reloc® One Pass® circuit selector system drop, 18 gauge, 3 conductors, 6 feet, other lengths available †</p> <p>OCS4C Reloc® One Pass® circuit selector system drop, 18-gauge, 4 conductors, for use with EM battery, 6 feet, other lengths available †</p> <p>See chart for additional Reloc® options</p> <p>Accessory Mounting Options:</p> <p>AC120 Galvanized aircraft cable, 120in or 10ft long, other lengths available (ships as pair) †</p> <p>ACSS240 Stainless steel aircraft cable, 240in or 20ft long, other lengths available (ships as pair) †</p> <p>072331 Wall mount arm for a single luminaire †</p> <p>072332 Wall mount arm for two luminaires †</p> <p>H72 3/4" Stem, 72in or 6ft long, other lengths available †</p> <p>TA Twin arm †</p> <p>See chart for additional accessory mounting options</p>	<p>Universal Power Hook Cordsets and Hangers:</p> <p>PHCB Cord, plug and loop assembly for use with UPH power hooks (120-347V) †</p> <p>PHCBL8480 Cord, plug and loop assembly for use with UPH power hooks (480V) †</p> <p>UPH35 Universal power hook for use with PHCB assembly, thru-wire surface mount †</p> <p>UPH36 Universal power hook for use with PHCB assembly, 3/4" pendant mount †</p> <p>Hooks and Loops: †</p> <p>HK646 Wet location solid hook, 3/4" male (PF-646), zinc plated iron</p> <p>HK646SS Wet location solid hook, 3/4" male (PF-646SS), 316 stainless steel †</p> <p>HKM455 Damp location safety hook, 3/4" male (PF-455), aluminum</p> <p>HKMAR Damp location anti-rotational hook, 3/4" male (PF-129), zinc plated iron</p> <p>HKMD Damp location safety hook, 3/4" male (PF-121-A), zinc plated iron</p> <p>HKMW Wet location gasketed hook, 3/4" male (PF-291), zinc plated iron</p> <p>LPMD Damp location loop, 3/4" male (PF-105), zinc plated iron</p> <p>Other Options:</p> <p>ZPA Safety chain factory attached to two points on the luminaire †</p> <p>AO Adjustable output dimming †</p> <p>HA High ambient, large electrical housing †</p> <p>IVO Inverted optical assembly</p> <p>SCSS72 Stainless steel safety chain factory installed, 72in or 6ft long, other lengths available †</p> <p>UPL Uplight †</p> <p>WGX Factory installed zinc plated wire guard</p> <p>MISC Mex</p>	<p>DBXD Super durable corrosion resistant black</p> <p>DGXD Super durable corrosion resistant grey</p> <p>DWHXD Super durable corrosion resistant white</p> <p>DNXD Super durable corrosion resistant satin nickel</p> <p>DGRXD Super durable corrosion resistant graphite</p>

SEE NEXT PAGE FOR ACCESSORIES

Option Value Ordering Restrictions & Notes	
Option value	Restriction
072331, 072332	Finish will match luminaire. Shipped separately. Not available with yoke mount (YK90), stem (H72), any cordset that includes a plug (CPTL16, CPTL20A16, CPSB16, CMCMBH16YWL, MCRMBH16WL), modular wiring (OCS, OCS4C), UPH cordset (PHCB, PHCBL8480) or a hook or loop (HK646, HK646SS, HKM455, HKMAR, HKMD, HKMW, LPMD), aircraft cable (AC, ACSS), twin arm, (TA).
125VDC, 250VDC	Not available with SBG BTP sensors, ETS, ER controls, EM batteries (IE07WCPHCW, IE18WCPHECWR, IE20WCPHER, IE30WCPHER), Uplight (UPL).
2470P	Required when an EM battery and a 3 conductor cordset or RELOC cable or QD, QR mounting or PHCB UPH cordset is selected. The driver and EM battery power inputs will be tied together and the fixture will be not be able to be turned off without controls. When ordered with a cordset that includes a plug, the max cord length will be 3 feet.
2PA	Requires SCSS option called out. 2PA = second point of attachment and SCSS = overall length of the safety chain. Example: SCSS72 2PA = 72in or 6ft of SS safety chain attached to two points on the luminaire.
AC120	Available in 120 or 240 inch lengths. Can be shortened in the field as necessary. Example: AC240 = 240in or 20ft long. Not available with wall mount arm (072331, 072332), UPH cordsets (PHCB, PHCBL8480), yoke mount (YK90), Stem (H72) or twin arm (TA).
ACSS240	Available in 120 or 240 inch lengths. Can be shortened in the field as necessary. Example: ACSS120 = 120in or 10ft long. Not available with wall mount arm (072331, 072332), UPH cordsets (PHCB, PHCBL8480), yoke mount (YK90), stem (H72) or twin arm (TA).
AO	Not available with Sensor Switch embedded dimming controls, nLight embedded controls, 5 conductor dual voltage (CNP165C) or 5 conductor dimming (CNP165CD) cordsets. Available with non-dimming Sensor Switch embedded controls (SBG6 or SBG10; occupancy only).
CMCMBH16YWL	Available in 6 or 12 feet lengths.
CNP164CW	Available with EM battery only (IE07WCPHECW, IE18WCPHECWR, IE20WCPHER, IE30WCPHER).
CNP165CDW	Not available with EM Batteries (IE07WCPHECW, IE18WCPHECWR, IE20WCPHER, IE30WCPHER), ETS, AO, Sensor Switch embedded dimming controls, nLight embedded controls. Available with non-dimming Sensor Switch embedded controls (SBG6 or SBG10; occupancy only).
CNP165CW	Available with ETS or ER controls only.
ETS	Not available with EM batteries (IE07WCPHECW, IE18WCPHECWR, IE20WCPHER, IE30WCPHER), EM or ER controls, QD, QR mounting, Reloc (OCS, OCS4C), UPH Cordset (PHCB, PHCBL8480). 120-277V only. Available with a 5 conductor dual voltage cordset (CNP165C), but not required. For 35000LM-60000LM, order with HA (large electrical housing) option. Utilizes IOTA ETS DR emergency lighting control device.
H72	Damp location listed. Finish will match luminaire. Available in 18, 24, 36, 48, 60, 72, 96 inch lengths. Shipped separately as STEM H72. Requires PM, QD or NDT mounting. Not available with aircraft cable (AC, ACSS), twin arm (TA), (IE18WCPHECW, any cordset that includes a plug (CPTL16, CPTL20A16, CPSB16, CMCMBH16YWL, MCRMBH16WL), modular wiring (OCS, OCS4C), UPH cordsets (PHCB, PHCBL8480) or a hook or loop (HK646, HK646SS, HKM455, HKMAR, HKMD, HKMW, LPMD).
HA	Large electrical housing will be used.
HK646, HK646SS	Solid hook and no opening available for cord or input wiring. Input wiring or cordset will need to be routed to extra opening on top of the electrical enclosure. PM only. Not available with quick disconnect (QD, QR) non-disconnect thru-wire (NDT, NR) or yoke mount (YK90).
Hooks and Loops	Available for field or factory installation. PM mounting required. Field and factory installable hooks and loops share the same nomenclature. Example: HKMAR. This can be ordered as factory installed by including in the fixture nomenclature or can be ordered separately. All hooks and loops shown require a 3/4" threaded opening.
IE07WCPHECW	Internally mounted and wet location rated. Available with 12000LM-40000LM only and 120-277V only. Available with 4 conductor (CNP164C) cordsets. Also available with 3 conductor (CNP16) cordsets or a cordset with a plug (CPTL16, CPTL20A16). Plug requires 2470P option with a max length of 3ft. For 35000LM-40000LM, order with the HA (large electrical housing) option. Utilizes IOTA ILBLP SP07 HE SD LCW battery.
IE18WCPHECWR	Remote mounted in a wet location rated enclosure. Available with 12000LM-40000LM only and 120-277V only. Available with 4 conductor (CNP164C) cordsets. Also available with 3 conductor (CNP16) cordsets or a cordset with a plug (CPTL16, CPTL20A16). Plug requires 2470P option with a max length of 3ft. Utilizes IOTA ILB CP18 HE CW 1LA battery.
IE20WCPHER	Remote mounted and damp location rated. Available with all lumen packages. Available with 120-480V. Available with 4 conductor (CNP164C) cordsets. Also available with 3 conductor (CNP16) cordsets or a cordset with a plug (CPTL16, CPTL20A16). Plug requires 2470P option with a max length of 3ft. Test switch and supply power input located in a remote junction box between battery and luminaire. Utilizes IOTA ILBLP CP20 HE SD HV S for 120-277V and IOTA ILBHI CP20 HE SD HV S for 347-480V batteries.
IE30WCPHER	Remote mounted and damp location rated. Available with all lumen packages. Available with 120-480V. Available with 4 conductor (CNP164C) cordsets. Also available with 3 conductor (CNP16) cordsets or a cordset with a plug (CPTL16, CPTL20A16). Plug requires 2470P option with a max length of 3ft. Test switch and supply power input located in a remote junction box between battery and luminaire. Utilizes IOTA ILBLP CP30 HE SD HV S for 120-277V and IOTA ILBHI CP30 HE SD HV S for 347-480V batteries.
NDT	Damp location rated. The NDT (non-disconnect thru-wiring) system is made up of 2 parts. The top portion is removable and is meant to be installed in the ceiling. The bottom portion is factory installed to the fixture. The 2 part junction box used on top of the fixture will be empty. Not available with twin arm (TA), hooks and loops (HK646, HK646SS, HKM455, HKMAR, HKMD, HKMW, LPMD), UPH cordsets (PHCB, PHCBL8480), modular wiring (OCS, OCS4C) or any other cordset.
NLIGHTKO	Damp location rated. Will be mounted externally on an available opening on top the luminaire. 120-347V only.
NLIGHTKOX2	Damp location rated. Will be mounted externally on an available opening on top the luminaire. 120-347V only. Uplight (UPL) option required.
NLTAIR2KO	Damp location rated. Will be mounted externally on an available opening on top the luminaire. Available with 120-480V.
NLTAIR2KOX2	Damp location rated. Will be mounted externally on an available opening on top the luminaire. Available with 120-480V. Uplight (UPL) option required.
NR	Damp location rated. Ordering this option assumes the top portion of the NDT option is already installed. This is a for retrofit applications only. Not available with wall mount arm (072331, 072332), stems (H72), twin arm (TA), a hooks or loop (HK646, HK646SS, HKM455, HKMAR, HKMD, HKMW, LPMD), UPH cordsets (PHCB, PHCBL8480), modular wiring (OCS, OCS4C) or any other cordset.
OCS	Available in 6, 10, 15, 20, 25 feet lengths. Example: OCS10FT = 10ft long. Dry location rated. Not available with quick disconnect (QD, QR) non-disconnect thru-wire (NDT, NR), wall mount arm (072331, 072332), stems (H72), or ETS and ER controls. Must Specify voltage.
OCS4C	Available in 6, 10, 15, 20, 25 feet lengths. Example OCS4C20FT = 20ft long. Dry location rated. Available with EM batteries (IE07WCPHECW, IE18WCPHECWR, IE20WCPHER, IE30WCPHER) only. Not available with quick disconnect (QD, QR) non-disconnect thru-wire (NDT, NR), wall mount arm (072331), stems (H72), or ETS and ER controls. Available with 120 or 277V only.
PHCB	Damp location rated. Must specify voltage. UPH accessory required. Includes 2ft long, 16 gauge cord, non NEMA twist lock plug and LPMD loop. Not available with wall mount arm (072331, 072332), aircraft cable (AC120, ACSS240), ETS or ER controls, stem (H72), a hook or loop (HK646, HK646SS, HKM455, HKMAR, HKMD, HKMW, LPMD), quick disconnect (QD, QR) non-disconnect thru-wire (NDT, NR), yoke mount (YK90), modular wiring (OCS, OCS4C) or any other cordset.
PHCBL8480	Damp location rated. Available with 480V only. UPH accessory required. Includes 2ft long, 16 gauge cord, NEMA L8-15P twist lock plug and LPMD loop. Not available with wall mount arm (072331, 072332), aircraft cable (AC120, ACSS240), ETS or ER controls, stem (H72), a hook or loop (HK646, HK646SS, HKM455, HKMAR, HKMD, HKMW, LPMD), quick disconnect (QD, QR) non-disconnect thru-wire (NDT, NR), yoke mount (YK90), modular wiring (OCS, OCS4C) or any other cordset.
QD	Damp location rated. The QD (quick disconnect) system is made up of 2 parts. The top portion "QDH" ships separately to be installed in the ceiling. The Bottom portion is factory installed to the fixture. The 2 part quick disconnect will include components to allow voltage to pass between the top and bottom portions. Not available with twin arm (TA), hooks and loops (HK646, HK646SS, HKM455, HKMAR, HKMD, HKMW, LPMD), UPH cordsets (PHCB, PHCBL8480), modular wiring (OCS, OCS4C) or any other cordset.
QR	Damp location rated. Ordering this option assumes the top portion of the QD option (QDH) is already installed. This is a for retrofit applications only. Not available with wall mount arm (072331, 072332), stems (H72), twin arm (TA), hooks and loops (HK646, HK646SS, HKM455, HKMAR, HKMD, HKMW, LPMD), UPH cordsets (PHCB, PHCBL8480), modular wiring (OCS, OCS4C) or any other cordset.
SBG10 OCC BTP	Not available with 125VDC or 250VDC. For 35000LM-60000LM, order with HA (large electrical housing) option.
SCSS72	Available in 36, 72, 120, 144 and 240 inch lengths. Example: SCSS120 = 120in or 10ft long.
SPD20KV, SPD20KVH	Available with HOL01 (small electrical). 20kV/10kA SPD is standard for HOL01 HA (large electrical). SPD20KV or SPD20KVH will not be specified in the nomenclature with HOL01 HA.
TA	Damp location rated. Twin arm allows for 2 luminaires to be mounted to a single hook. Will break out with (2) PM luminaires with 3' cords, (1) twin arm and (1) hook or loop. To be assembled in the field. Not available with aircraft cable (AC120, ACSS120), wall mount arm (072331, 072332), stems (H72), any cordset that includes a plug (CPTL16, CPTL20A16, CPSB16, CMCMBH16YWL, MCRMBH16WL), yoke mount (YK90), quick disconnect (QD, QR), non-disconnect thru-wire (NDT, NR).
UPH35, UPH36	Damp location rated. Must specify voltage. PHCB option required. Not available with wall mount arm (072331, 072332), aircraft cable (AC120, ACSS240), ETS or ER controls, stem (H72), a hook or loop (HK646, HK646SS, HKM455, HKMAR, HKMD, HKMW, LPMD), quick disconnect (QD, QR) non-disconnect thru-wire (NDT, NR), yoke mount (YK90), modular wiring (OCS, OCS4C) or any other cordset.
Uplight	Damp location rated. 120-277V only. For 35000LM-60000LM, order with HA (large electrical housing) option.

ADDITIONAL CORDSET OPTIONS

Plug Option	Plug Type	Amperage	Gauge	# of conductors	Color	Location	Length
CNP Cord only	(blank) No plug option (for cord only option)	(blank) 15 amps	16 16 gauge	(blank) 3 conductors	(blank) Black	(blank) Damp	(blank) 6 feet
CP Cord with plug	TL Twist lock	20A 20 amps		4C 4 conductors (for use with EM battery)	W White	WL Wet ‡	3FT 3 feet
CMC Cord with mini change Plug ‡	SB Straight blade ‡			5C 5 conductors (for use with ETS or ER controls)	Y Yellow ‡		10FT 10 feet
RMC Mini change receptacle	MBH Male Brad Harrison			5CD 5 conductors (for use with 0-10V dimming)			12FT 12 feet 15FT 15 feet 20FT 20 feet 25FT 25 feet 30FT 30 feet

Notes ‡	
CMC	Available in 6ft or 12ft lengths only.
SB	Not available with WL.
WL	Not available with SB.
Y	Available with CMC or RMC only.

NEMA PLUG CONFIGURATIONS

Voltage	Straight Blade	15A Twist Lock	20A Twist Lock
MVOLT	NA	NA	NA
120	5-15P	L5-15P	L5-20P
208	NA	L6-15P	L6-20P
240	NA	L6-15P	L6-20P
277	7-15P	L7-15P	L7-20P
HVOLT	NA	NA	NA
347	NA	NA	L24-20P
480	NA	NA	L8-20P
XVOLT	NA	NA	NA
277X	NA	L7-15P	L7-20P
347X	NA	NA	L24-20P
480X	NA	NA	L8-20P



Example: OCS10

Part Number	Length
OCS (3) 18 AWG conductors, including ground	(blank) 6 feet
OCS4C (4) 18 AWG conductors, including ground, for use with EM batteries	10 10 feet 15 15 feet 20 20 feet 25 25 feet

ACCESSORIES

AIRCRAFT CABLE OPTIONS

Example: HOLOAC 72IN

Part Number	Length
HOLOAC ‡ Galvanized aircraft cable	120IN 120in or 10ft
HOLOACSS ‡ Stainless steel aircraft cable	240IN 240in or 20ft

WALL MOUNT ARM OPTIONS

Example: 072331 DGXD CR

Series	Finish	Primer
072331 ‡ (1) luminaire	DBXD Super durable black	CR Corrosion Resistant
072332 ‡ (2) luminaires	DGXD Super durable grey	
	DWHXD Super durable white	
	DNXD Super durable satin nickel	
	DGRXD Super durable graphite	

STEM OPTIONS

Example: STEM H48 DWHXD CR

Series	Length	Finish	Primer
STEM ‡	H18 18in or 1.5ft, 3/4" stem	DBXD Super durable black	CR Corrosion Resistant
	H36 36in or 3ft, 3/4" stem	DGXD Super durable grey	
	H48 48in or 4ft, 3/4" stem	DWHXD Super durable white	
	H60 60in or 5ft, 3/4" stem	DNXD Super durable satin nickel	
	H72 72in or 6ft, 3/4" stem	DGRXD Super durable graphite	
	H96 96in or 8ft, 3/4" stem		

ACCESSORY HOOK & LOOP OPTIONS

Part Number	Description
HK646	Wet location solid hook, 3/4" male (PF646), zinc plated iron
HK646SS	Wet location solid hook, 3/4" male (PF646SS), 316 stainless steel
HKFD	Damp Location safety hook, 3/4" female, (PF-122-A), zinc plated iron
HKMAR	Damp location anti-rotational hook, 3/4" male (PF-129), zinc plated iron
HKMD	Damp location safety hook, 3/4" male (PF-121-A), zinc plated iron
HKMW	Wet location gasketed hook, 3/4" male (PF-291), zinc plated iron
LPFD	Damp Location loop, 3/4" female, (PF-116-A), zinc plated iron
LPMD	Damp location loop, 3/4" male (PF-105), zinc plated iron

TWIN ARM OPTIONS

Example: HOLOTWINARM DNXD CR

Series	Finish	Primer
HOLOTWINARM ‡	DBXD Super durable black	CR Corrosion Resistant
	DGXD Super durable grey	
	DWHXD Super durable white	
	DNXD Super durable satin nickel	
	DGRXD Super durable graphite	

QDH ACCESSORY OPTIONS

Example: QDH DBXD CR

Series	Finish	Primer
QDH ‡	DBXD Super durable black	CR Corrosion Resistant
	DGXD Super durable grey	
	DWHXD Super durable white	
	DNXD Super durable satin nickel	
	DGRXD Super durable graphite	

UNIVERSAL POWER HOOK OPTIONS

Example: UPH 35SM 277 DWHXD CR

Series	Mounting	Voltage	Finish	Primer
UPH ‡	35SM Surface	120 120V	DWHXD Super durable white	CR Corrosion Resistant
	36SM Pendant	208 208V		
		240 240V		
		277 277V		
		347 347V		
		L8480 480V		

SAFETY CHAIN OPTIONS

Example: HOLOCHAINSS 120IN

Series	Length
HOLOCHAINSS	36IN 36in or 3ft
	72IN 72in or 6ft
	120IN 120in or 10ft
	144IN 144in or 12ft
	240IN 240in or 20ft

MISCELLANEOUS ACCESSORIES

Part Number	Description
HOLO1WG	Galvanized wire guard accessory (small)
PHCB ‡	Cord, plug and loop assembly for use with UPH power hooks (120-347V)
PHCBL8480 ‡	Cord, plug and loop assembly for use with UPH power hooks (480V)
HCMCFBH16YWL	Cord with Brad Mini Change® female connector, stainless steel coupling nut, 3 pole, 16 gauge, yellow, wet location, 6 feet, for use with the MCRMBH16WL receptacle
HMCRCFBH16WL	Receptacle with Brad Mini Change® female connector, nonmetallic coupling nut, 3 pole, 16 gauge leads, wet location, for use with CMCMBH16YWL and CMCMBH16YWL12FT cordsets

Notes ‡

072331, 072332	Shipped separately. Requires PM mounting. Not available with any cordset that includes a plug (CPTL16, CPTL20A16, CPSB16, CMCMBH16YWL, MCRMBH16WL), modular wiring (OCS, OCS4C), UPH cordset (PHCB, PHCBL8480) or a hook or loop (HK646, HK646SS, HKM455, HKMAR, HKMD, HKMW, LPMD).
HOLOAC, HOLOACSS	Can be shortened in the field as necessary. Not available with yoke mount (YK90), twin arm (TA) or wall mount arm (072331, 072332).
HOLOTWINARM	Damp Location Rated. Requires PM mounting. Twin arm allows for 2 luminaires to be mounted with a single hook. Not available with aircraft cable (HOLOAC, HOLOACSS), wall mount arm (072331, 072332), stems (STEM HXX), any cordset that includes a plug (CPTL16, CPTL20A16, CPSB16, CMCMBH16YWL, MCRMBH16WL), yoke mount (YK90), quick disconnect (QD, QR), non-disconnect thru-wire (NDT, NR).
PHCB	Damp location rated. Must specify voltage. UPH accessory required. Includes 2ft long, 16 gauge cord, non NEMA twist lock plug and LPMD loop.
PHCBL8480	Damp location rated. UPH accessory required. Includes 2ft long, 16 gauge cord, NEMA L8-20P twist lock plug and LPMD loop.
STEM	Damp location rated. Requires PM, QD or NDT mounting.
QDH	For replacement only, ships standard with QD mounting option.
UPH	Damp location rated. Requires PHCB or PHCBL8480 option. Must Specify voltage. 120-347V uses a non-NEMA twist lock plug. L8480 utilizes a L8-20P receptacle.

ADJUSTABLE OUTPUT PERFORMANCE

AO Position	Lumen Output	Wattage
1	19%	19%
2	29%	27%
3	42%	40%
4	55%	53%
5	70%	68%
6	81%	79%
7	95%	94%
8	100%	100%

EMERGENCY LUMEN PERFORMANCE

Option	Approximate Luminaire Efficacy	1 Minute	45 Minutes	90 Minutes
IE20WCPHER	100 LPW	2000	2000	2000
	110 LPW	2200	2200	2200
	120 LPW	2400	2400	2400
	130 LPW	2600	2600	2600
	140 LPW	2800	2800	2800
	150 LPW	3000	3000	3000
IE30WCPHER	100 LPW	3000	3000	3000
	110 LPW	3300	3300	3300
	120 LPW	3600	3600	3600
	130 LPW	3900	3900	3900
	140 LPW	4200	4200	4200
	150 LPW	4500	4500	4500

How to Estimate Delivered Lumens in Emergency Mode
 Use the formula below to estimate the delivered lumens in emergency mode
Delivered Lumens = P x LPW
 P = Output power of emergency driver
 LPW = Lumen per watt rating of the luminaire. (See charts on pages 7)
 The LPW rating is also available at [Designlight Consortium](#)

P = 7 watts for IE07WCPHECW
 P = 18 watts for IE18WCPHECWR
 P = 20 watts for IE20WCPHER
 P = 30 watts for IE30WCPHER

AMBIENT TEMPERATURE

Configuration	Size	12000LM (°C)	15000LM (°C)	18000LM (°C)	24000LM (°C)	30000LM (°C)	35000LM (°C)	40000LM (°C)	45000LM (°C)	50000LM (°C)	60000LM (°C)
HOLO1 Base	Small Optical, Small Electrical	65	65	65	65	60	60	50	50	45	45
HOLO1 Base w/ Controls	Small Optical, Small Electrical	65	65	65	65	60	60	50	50	45	45
HOLO1 HA Base	Small Optical, Large Electrical	80 ‡	75	75	70	65	65	65	65	65	65
HOLO1 HA Base w/ Controls	Small Optical, Large Electrical	75	70	70	65	60	60	60	60	60	60
HOLO1 REM, Optical Only ‡	Small Optical, Small or Large Electrical, Remote Enclosure	80 ‡	80 ‡	80 ‡	80 ‡	75	70	70	65	65	60
w/ Internal Battery 7W ‡	Any	-20 to 45	-20 to 45	-20 to 45	-20 to 45	-20 to 45	-20 to 45	-20 to 45	NA	NA	NA
w/ External Battery 18W ‡	Any	-20 to 50	-20 to 50	-20 to 50	-20 to 50	-20 to 50	-20 to 50	-20 to 50	NA	NA	NA
w/ External Battery 20/30W ‡	Any	0 to 55	0 to 55	0 to 55	0 to 55	0 to 55	0 to 55	0 to 55	0 to 55	0 to 55	0 to 55

Notes: ‡	
80	Must be 24" from surface to achieve 80C
Configuration	Minimum Ambient is -40°C unless indicated.
HOLO1 REM, Optical Only	Ambient temps for LEDs only. REM option required. See HOLOBAY™ Remote Mount Spec Sheet.
w/ Internal Battery 7W	When an internal battery is paired with any of the above configurations, the ambient temperature is the lowest of the two numbers.
w/ External Battery (18W or 20/30W)	Remote battery enclosure is rated to 55C, the fixture will maintain its base ambient.

OPERATING CHARACTERISTICS

Lumen Package	Distribution	Input Watts †	70CRI				80CRI				90CRI				
			30K	35K	40K	50K	30K	35K	40K	50K	30K	35K	40K	50K	
12000LM	AD	70	11760	12167	12539	12539	10878	11014	11489	11591	8031	8395	8692	9453	Lumens
			168	174	179	179	155	157	164	166	115	120	124	135	LPW
	MD		12475	12907	13302	13302	11541	11685	12189	12296	8520	8906	9221	10027	Lumens
			178	184	190	190	165	167	174	176	122	127	132	143	LPW
	MDFR		10380	10739	11067	11067	9601	9720	10141	10230	7088	7410	7672	8343	Lumens
			148	153	158	158	137	139	145	146	101	106	110	119	LPW
	ND		11917	12330	12707	12707	11024	11163	11643	11746	8138	8507	8809	9579	Lumens
			170	176	182	182	157	159	166	168	116	122	126	137	LPW
	NDFR		11645	12047	12416	12416	10771	10907	11377	11477	7952	8313	8607	9361	Lumens
			166	172	177	177	154	156	163	164	114	119	123	134	LPW
	WD		12531	12965	13362	13362	11590	11738	12243	12352	8557	8945	9262	10071	Lumens
			179	185	191	191	166	168	175	176	122	128	132	144	LPW
	WDFR		10820	11194	11536	11536	10008	10132	10571	10664	7389	7724	7998	8697	Lumens
			155	160	165	165	143	145	151	152	106	110	114	124	LPW

Lumen Package	Distribution	Input Watts †	70CRI				80CRI				90CRI				
			30K	35K	40K	50K	30K	35K	40K	50K	30K	35K	40K	50K	
15000LM	AD	91	14918	15435	15907	15907	13800	13973	14575	14703	10188	10649	11026	11991	Lumens
			164	170	175	175	152	154	160	162	112	117	121	132	LPW
	MD		15826	16373	16874	16874	14640	14822	15461	15598	10806	11299	11699	12721	Lumens
			174	180	185	185	161	163	170	171	119	124	129	140	LPW
	MDFR		13167	13622	14040	14040	12180	12331	12864	12977	8992	9399	9732	10584	Lumens
			145	150	154	154	134	136	141	143	99	103	107	116	LPW
	ND		15119	15642	16121	16121	13985	14160	14770	14900	10324	10791	11175	12152	Lumens
			166	172	177	177	154	156	162	164	113	119	123	134	LPW
	NDFR		14772	15283	15751	15751	13666	13836	14432	14559	10089	10545	10920	11874	Lumens
			162	168	173	173	150	152	159	160	111	116	120	130	LPW
	WD		15895	16445	16948	16948	14705	14888	15530	15666	10855	11345	11751	12778	Lumens
			175	181	186	186	162	164	171	172	119	125	129	140	LPW
	WDFR		13725	14199	14635	14635	12696	12855	13409	13527	9373	9797	10144	11032	Lumens
			151	156	161	161	140	141	147	149	103	108	111	121	LPW

Notes: †	
Input Watts	120VAC.
Operating Characteristics	Absolute photometry calculated in accordance with IESNA LM-79-08 @ 25°C.

OPERATING CHARACTERISTICS

Lumen Package	Distribution	Input Watts ⚡	70CRI				80CRI				90CRI				
			30K	35K	40K	50K	30K	35K	40K	50K	30K	35K	40K	50K	
18000LM	AD	108	17404	18005	18558	18558	16100	16301	17002	17153	11886	12424	12864	13990	Lumens
			161	167	172	172	149	151	157	159	110	115	119	130	LPW
	MD		18461	19100	19687	19687	17079	17291	18036	18195	12610	13179	13647	14840	Lumens
			171	177	182	182	158	160	167	168	117	122	126	137	LPW
	MDFR		15361	15892	16378	16378	14211	14387	15007	15140	10491	10965	11354	12348	Lumens
			142	147	152	152	132	133	139	140	97	102	105	114	LPW
	ND		17636	18246	18806	18806	16316	16519	17231	17383	12046	12590	13037	14178	Lumens
			163	169	174	174	151	153	160	161	112	117	121	131	LPW
	NDFR		17234	17830	18376	18376	15942	16141	16837	16986	11770	12302	12739	13852	Lumens
			160	165	170	170	148	149	156	157	109	114	118	128	LPW
	WD		18543	19184	19775	19775	17154	17368	18116	18276	12666	13239	13708	14906	Lumens
			172	178	183	183	159	161	168	169	117	123	127	138	LPW
	WDFR		16012	16565	17072	17072	14813	14997	15643	15781	10936	11430	11835	12871	Lumens
			148	153	158	158	137	139	145	146	101	106	110	119	LPW

Lumen Package	Distribution	Input Watts ⚡	70CRI				80CRI				90CRI				
			30K	35K	40K	50K	30K	35K	40K	50K	30K	35K	40K	50K	
24000LM	AD	137	23554	24367	25114	25114	21789	22060	23010	23214	16086	16814	17409	18931	Lumens
			172	178	183	183	159	161	168	169	117	123	127	138	LPW
	MD		24985	25850	26643	26643	23113	23401	24408	24626	17064	17834	18466	20084	Lumens
			182	189	194	194	169	171	178	180	125	130	135	147	LPW
	MDFR		20787	21506	22166	22166	19231	19470	20308	20488	14198	14840	15365	16708	Lumens
			152	157	162	162	140	142	148	150	104	108	112	122	LPW
	ND		23868	24694	25451	25451	22081	22356	23318	23524	16302	17039	17641	19184	Lumens
			174	180	186	186	161	163	170	172	119	124	129	140	LPW
	NDFR		23322	24130	24870	24870	21575	21844	22784	22986	15928	16650	17239	18746	Lumens
			170	176	182	182	157	159	166	168	116	122	126	137	LPW
	WD		25095	25963	26759	26759	23216	23505	24516	24734	17138	17915	18548	20174	Lumens
			183	190	195	195	169	172	179	181	125	131	135	147	LPW
	WDFR		21668	22417	23107	23107	20046	20295	21169	21356	14799	15469	16016	17416	Lumens
			158	164	169	169	146	148	155	156	108	113	117	127	LPW

Notes: ⚡	
Input Watts	120VAC.
Operating Characteristics	Absolute photometry calculated in accordance with IESNA LM-79-08 @ 25°C.

OPERATING CHARACTERISTICS

Lumen Package	Distribution	Input Watts †	70CRI				80CRI				90CRI				
			30K	35K	40K	50K	30K	35K	40K	50K	30K	35K	40K	50K	
30000LM	AD	179	29591	30615	31553	31553	27374	27716	28909	29165	20209	21124	21873	23785	Lumens
			165	171	176	176	153	155	162	163	113	118	122	133	LPW
	MD		31391	32476	33473	33473	29039	29401	30668	30939	21439	22409	23202	25232	Lumens
			175	181	187	187	162	164	171	173	120	125	130	141	LPW
	MDFR		26118	27020	27849	27849	24160	24461	25514	25742	17838	18645	19305	20992	Lumens
			146	151	156	156	135	137	143	144	100	104	108	117	LPW
	ND		29987	31026	31975	31975	27740	28086	29296	29555	20480	21408	22165	24104	Lumens
			168	173	179	179	155	157	164	165	114	120	124	135	LPW
	NDFR		29302	30315	31244	31244	27107	27444	28627	28880	20012	20918	21658	23552	Lumens
			164	169	175	175	151	153	160	161	112	117	121	132	LPW
	WD		31530	32620	33619	33619	29168	29532	30804	31076	21533	22509	23305	25342	Lumens
			176	182	188	188	163	165	172	174	120	126	130	142	LPW
	WDFR		27224	28165	29029	29029	25184	25498	26595	26832	18594	19435	20123	21881	Lumens
			152	157	162	162	141	142	149	150	104	109	112	122	LPW

Lumen Package	Distribution	Input Watts †	70CRI				80CRI				90CRI				
			30K	35K	40K	50K	30K	35K	40K	50K	30K	35K	40K	50K	
35000LM	AD	217	33976	35151	36229	36229	31430	31822	33192	33487	23204	24254	25113	27310	Lumens
			157	162	167	167	145	147	153	154	107	112	116	126	LPW
	MD		36042	37289	38431	38431	33341	33758	35211	35524	24615	25728	26642	28971	Lumens
			166	172	177	177	154	156	162	164	113	119	123	134	LPW
	MDFR		29988	31024	31974	31974	27741	28087	29295	29554	20479	21406	22165	24103	Lumens
			138	143	147	147	128	129	135	136	94	99	102	111	LPW
	ND		34431	35622	36714	36714	31852	32248	33638	33936	23514	24579	25450	27675	Lumens
			159	164	169	169	147	149	155	156	108	113	117	128	LPW
	NDFR		33643	34807	35874	35874	31123	31511	32868	33159	22976	24018	24868	27043	Lumens
			155	160	165	165	143	145	151	153	106	111	115	125	LPW
	WD		36204	37454	38602	38602	33489	33906	35369	35682	24723	25842	26758	29099	Lumens
			167	173	178	178	154	156	163	164	114	119	123	134	LPW
	WDFR		31259	32339	33329	33329	28916	29276	30536	30809	21347	22312	23106	25125	Lumens
			144	149	154	154	133	135	141	142	98	103	106	116	LPW

Notes: †	
Input Watts	120VAC.
Operating Characteristics	Absolute photometry calculated in accordance with IESNA LM-79-08 @ 25°C.

OPERATING CHARACTERISTICS

Lumen Package	Distribution	Input Watts ⚡	70CRI				80CRI				90CRI				
			30K	35K	40K	50K	30K	35K	40K	50K	30K	35K	40K	50K	
40000LM	AD	252	39781	41156	42418	42418	36800	37259	38864	39208	27168	28398	29405	31976	Lumens
			158	163	168	168	146	148	154	156	108	113	117	127	LPW
	MD		42201	43661	44998	44998	39039	39525	41229	41593	28820	30125	31193	33921	Lumens
			167	173	179	179	155	157	164	165	114	120	124	135	LPW
	MDFR		35111	36324	37438	37438	32481	32885	34302	34606	23979	25064	25952	28222	Lumens
			139	144	149	149	129	130	136	137	95	99	103	112	LPW
	ND		40313	41707	42987	42987	37293	37758	39385	39733	27532	28778	29798	32404	Lumens
			160	166	171	171	148	150	156	158	109	114	118	129	LPW
	NDFR		39392	40754	42004	42004	36440	36895	38484	38825	26902	28121	29116	31663	Lumens
			156	162	167	167	145	146	153	154	107	112	116	126	LPW
	WD		42386	43854	45197	45197	39210	39699	41410	41775	28949	30259	31331	34069	Lumens
			168	174	179	179	156	158	164	166	115	120	124	135	LPW
	WDFR		36599	37863	39026	39026	33857	34278	35755	36072	24995	26125	27052	29418	Lumens
			145	150	155	155	134	136	142	143	99	104	107	117	LPW

Lumen Package	Distribution	Input Watts ⚡	70CRI				80CRI				90CRI				
			30K	35K	40K	50K	30K	35K	40K	50K	30K	35K	40K	50K	
45000LM	AD	256	43936	45454	46847	46847	40643	41149	42922	43302	30005	31364	32475	35315	Lumens
			172	178	183	183	159	161	168	169	117	123	127	138	LPW
	MD		46606	48218	49698	49698	43116	43654	45532	45935	31830	33269	34450	37463	Lumens
			182	188	194	194	168	171	178	179	124	130	135	146	LPW
	MDFR		38778	40118	41346	41346	35871	36318	37885	38220	26482	27682	28662	31168	Lumens
			151	157	162	162	140	142	148	149	103	108	112	122	LPW
	ND		44524	46063	47476	47476	41187	41699	43498	43883	30406	31785	32910	35788	Lumens
			174	180	185	185	161	163	170	171	119	124	129	140	LPW
	NDFR		43505	45010	46390	46390	40245	40746	42503	42879	29712	31057	32156	34969	Lumens
			170	176	181	181	157	159	166	167	116	121	126	137	LPW
	WD		46813	48432	49915	49915	43307	43847	45735	46139	31971	33417	34600	37628	Lumens
			183	189	195	195	169	171	179	180	125	131	135	147	LPW
	WDFR		40421	41818	43098	43098	37391	37857	39490	39839	27604	28855	29876	32489	Lumens
			158	163	168	168	146	148	154	156	108	113	117	127	LPW

Notes: ⚡	
Input Watts	120VAC.
Operating Characteristics	Absolute photometry calculated in accordance with IESNA LM-79-08 @ 25°C.

OPERATING CHARACTERISTICS

Lumen Package	Distribution	Input Watts †	70CRI				80CRI				90CRI				
			30K	35K	40K	50K	30K	35K	40K	50K	30K	35K	40K	50K	
50000LM	AD	285	49180	50880	52439	52439	45495	46062	48047	48471	33587	35108	36351	39530	Lumens
			173	179	184	184	160	162	169	170	118	123	128	139	LPW
	MD		52171	53975	55628	55628	48263	48865	50969	51420	35629	37242	38563	41936	Lumens
			183	189	195	195	169	171	179	180	125	131	135	147	LPW
	MDFR		43407	44907	46283	46283	40153	40654	42407	42782	29645	30986	32085	34890	Lumens
			152	158	162	162	141	143	149	150	104	109	113	122	LPW
	ND		49838	51562	53143	53143	46104	46678	48691	49121	34037	35577	36839	40060	Lumens
			175	181	186	186	162	164	171	172	119	125	129	141	LPW
	NDFR		48699	50383	51927	51927	45050	45612	47576	47997	33258	34764	35996	39144	Lumens
			171	177	182	182	158	160	167	168	117	122	126	137	LPW
	WD		52403	54214	55875	55875	48475	49079	51196	51648	35789	37407	38732	42119	Lumens
			184	190	196	196	170	172	180	181	126	131	136	148	LPW
	WDFR		45246	46809	48244	48244	41855	42376	44203	44594	30901	32299	33444	36368	Lumens
			159	164	169	169	147	149	155	156	108	113	117	128	LPW

Lumen Package	Distribution	Input Watts †	70CRI				80CRI				90CRI				
			30K	35K	40K	50K	30K	35K	40K	50K	30K	35K	40K	50K	
60000LM	AD	367	59810	61877	63774	63774	55327	56018	58431	58948	40846	42696	44209	48075	Lumens
			163	169	174	174	151	153	159	161	111	116	120	131	LPW
	MD		63449	65642	67652	67652	58694	59424	61984	62532	43332	45292	46896	50997	Lumens
			173	179	184	184	160	162	169	170	118	123	128	139	LPW
	MDFR		52788	54614	56286	56286	48833	49442	51570	52028	36050	37684	39019	42432	Lumens
			144	149	153	153	133	135	141	142	98	103	106	116	LPW
	ND		60611	62707	64629	64629	56070	56768	59214	59738	41393	43269	44801	48718	Lumens
			165	171	176	176	153	155	161	163	113	118	122	133	LPW
	NDFR		59224	61272	63152	63152	54787	55469	57859	58372	40446	42279	43775	47604	Lumens
			161	167	172	172	149	151	158	159	110	115	119	130	LPW
	WD		63727	65929	67953	67953	58954	59689	62259	62808	43524	45493	47105	51225	Lumens
			174	180	185	185	161	163	170	171	119	124	128	140	LPW
	WDFR		55025	56928	58671	58671	50901	51537	53756	54232	37578	39281	40672	44229	Lumens
			150	155	160	160	139	140	146	148	102	107	111	121	LPW

Notes: ‡	
Input Watts	120VAC.
Operating Characteristics	Absolute photometry calculated in accordance with IESNA LM-79-08 @ 25°C.

UPLIGHT OPERATING CHARACTERISTICS

Configuration	Lumen Package	70CRI				80CRI				90CRI			
		30K	35K	40K	50K	30K	35K	40K	50K	30K	35K	40K	50K
HOLO1 - Small Optical, Small Electrical (2 bars) or Large Electrical (3 bars)	12000LM	1906	1972	2033	2033	1764	1786	1863	1879	1302	1361	1409	1532
	15000LM	2287	2366	2439	2439	2116	2142	2234	2254	1562	1633	1690	1838
	18000LM	2847	2945	3036	3036	2634	2667	2781	2806	1944	2032	2104	2288
	24000LM	3750	3880	3999	3999	3469	3512	3664	3696	2561	2677	2772	3014
	30000LM	4618	4777	4924	4924	4272	4325	4511	4551	3153	3296	3413	3712
	35000LM	5354	5539	5709	5709	4953	5015	5231	5277	3657	3822	3958	4304
	40000LM	6146	6358	6553	6553	5685	5756	6004	6057	4197	4387	4542	4940
	45000LM	6918	7157	7376	7376	6399	6479	6758	6818	4724	4938	5113	5560
	50000LM	7421	7678	7913	7913	6865	6950	7250	7314	5068	5297	5485	5965
	60000LM	7421	7678	7913	7913	6865	6950	7250	7314	5068	5297	5485	5965

LUMEN AMBIENT TEMPERATURE (LAT) MULTIPLIERS

HOLO1 (SMALL OPTICAL, SMALL ELECTRICAL)

Ambient °C	12000LM	15000LM	18000LM	24000LM	30000LM	35000LM	40000LM	45000LM	50000LM	60000LM
-40	1.05	1.06	1.06	1.06	1.07	1.07	1.08	1.07	1.07	1.08
-35	1.05	1.05	1.06	1.06	1.07	1.07	1.07	1.06	1.07	1.08
-30	1.05	1.05	1.05	1.06	1.06	1.06	1.07	1.06	1.06	1.07
-25	1.05	1.05	1.05	1.05	1.06	1.06	1.06	1.06	1.06	1.07
-20	1.04	1.04	1.05	1.05	1.05	1.05	1.06	1.05	1.05	1.06
-15	1.04	1.04	1.04	1.04	1.05	1.05	1.05	1.05	1.05	1.05
-10	1.04	1.04	1.04	1.04	1.04	1.04	1.05	1.04	1.04	1.05
-5	1.03	1.03	1.03	1.04	1.04	1.04	1.04	1.04	1.04	1.04
0	1.03	1.03	1.03	1.03	1.03	1.03	1.03	1.03	1.03	1.04
5	1.02	1.02	1.02	1.02	1.03	1.03	1.03	1.03	1.03	1.03
10	1.02	1.02	1.02	1.02	1.02	1.02	1.02	1.02	1.02	1.02
15	1.01	1.01	1.01	1.01	1.01	1.01	1.01	1.01	1.01	1.02
20	1.01	1.01	1.01	1.01	1.01	1.01	1.01	1.01	1.01	1.01
25	1.00	1.00	1.00	1.00	1.00	1.00	1.00	1.00	1.00	1.00
30	0.99	0.99	0.99	0.99	0.99	0.99	0.99	0.99	0.99	0.99
35	0.99	0.99	0.99	0.99	0.98	0.98	0.98	0.99	0.98	0.98
40	0.98	0.98	0.98	0.98	0.98	0.98	0.98	0.98	0.98	0.97
45	0.97	0.97	0.97	0.97	0.97	0.97	0.97	0.97	0.97	0.97
50	0.97	0.97	0.96	0.96	0.96	0.96	0.96	0.96	0.96	0.96
55	0.96	0.96	0.96	0.95	0.95	0.95	0.95	0.95	0.95	0.95
60	0.95	0.95	0.95	0.95	0.94	0.94	0.94	0.94	0.94	0.94
65	0.94	0.94	0.94	0.94	0.93	0.93	0.93	0.93	NA	NA
70	0.93	0.93	0.93	0.93	NA	NA	NA	NA	NA	NA

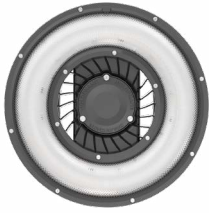
LUMEN AMBIENT TEMPERATURE (LAT) MULTIPLIERS

HOLO1 HA (SMALL OPTICAL, SMALL ELECTRICAL)

Ambient °C	12000LM	15000LM	18000LM	24000LM	30000LM	35000LM	40000LM	45000LM	50000LM	60000LM
-40	1.05	1.06	1.06	1.06	1.07	1.07	1.08	1.07	1.07	1.08
-35	1.05	1.05	1.06	1.06	1.07	1.07	1.07	1.06	1.07	1.08
-30	1.05	1.05	1.05	1.06	1.06	1.06	1.07	1.06	1.06	1.07
-25	1.05	1.05	1.05	1.05	1.06	1.06	1.06	1.06	1.06	1.07
-20	1.04	1.04	1.05	1.05	1.05	1.05	1.06	1.05	1.05	1.06
-15	1.04	1.04	1.04	1.04	1.05	1.05	1.05	1.05	1.05	1.05
-10	1.04	1.04	1.04	1.04	1.04	1.04	1.05	1.04	1.04	1.05
-5	1.03	1.03	1.03	1.04	1.04	1.04	1.04	1.04	1.04	1.04
0	1.03	1.03	1.03	1.03	1.03	1.03	1.03	1.03	1.03	1.04
5	1.02	1.02	1.02	1.02	1.03	1.03	1.03	1.03	1.03	1.03
10	1.02	1.02	1.02	1.02	1.02	1.02	1.02	1.02	1.02	1.02
15	1.01	1.01	1.01	1.01	1.01	1.01	1.01	1.01	1.01	1.02
20	1.01	1.01	1.01	1.01	1.01	1.01	1.01	1.01	1.01	1.01
25	1.00	1.00	1.00	1.00	1.00	1.00	1.00	1.00	1.00	1.00
30	0.99	0.99	0.99	0.99	0.99	0.99	0.99	0.99	0.99	0.99
35	0.99	0.99	0.99	0.99	0.98	0.98	0.98	0.99	0.98	0.98
40	0.98	0.98	0.98	0.98	0.98	0.98	0.98	0.98	0.98	0.97
45	0.97	0.97	0.97	0.97	0.97	0.97	0.97	0.97	0.97	0.97
50	0.97	0.97	0.96	0.96	0.96	0.96	0.96	0.96	0.96	0.96
55	0.96	0.96	0.96	0.95	0.95	0.95	0.95	0.95	0.95	0.95
60	0.95	0.95	0.95	0.95	0.94	0.94	0.94	0.94	0.94	0.94
65	0.94	0.94	0.94	0.94	0.93	0.93	0.93	0.93	0.93	0.93
70	0.93	0.93	0.93	0.93	0.92	0.92	0.92	0.93	NA	NA
75	0.93	0.92	0.92	NA	NA	NA	NA	NA	NA	NA
80	0.92	0.91	0.91	NA	NA	NA	NA	NA	NA	NA

IMAGES

**Bottom
(Small Electrical)**



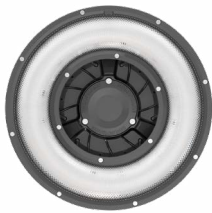
**Top
(Small Electrical)**



**Side
(Small Electrical)**



**HA Bottom
(Large Electrical)**



**HA Top
(Large Electrical)**



**HA Side
(Large Electrical)**



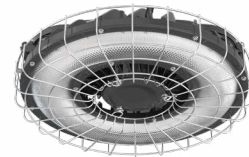
**nLight Air Embedded Sensor
(NLTAIR2 APIR)**



**Sensor Switch Embedded Sensor
(SBG, SBG BTP)**



**Wireguard
(WGX, HOLO1WG)**



**Hinge Open
(Small Electrical)**



**Inverted
(IVO)**



Pendant (PM)



**Aircraft Cable
(AC, ACSS, HOLOAC, HOLOACSS)**



Uplight (UPL)



**QD or NDT
Mount**



Loop (LPMD)



IMAGES

**Universal Power Hook
(UPH)**



**Yoke Mount
(YK90)**



**Wall Mount
(072331)**



**Wall Mount
(072332)**

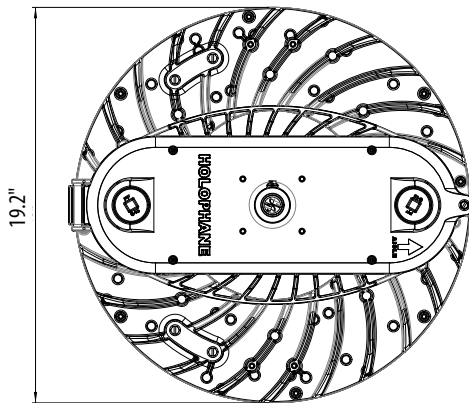


Twin Arm (TA, HOLOTWINARM)

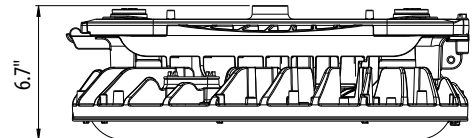


DIMENSIONS

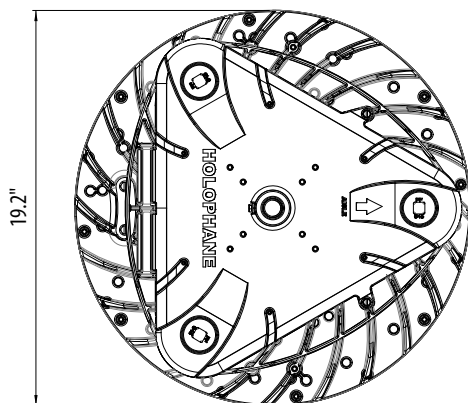
HOL01 Top



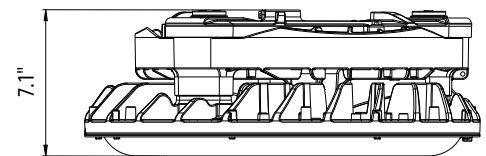
HOL01 Side



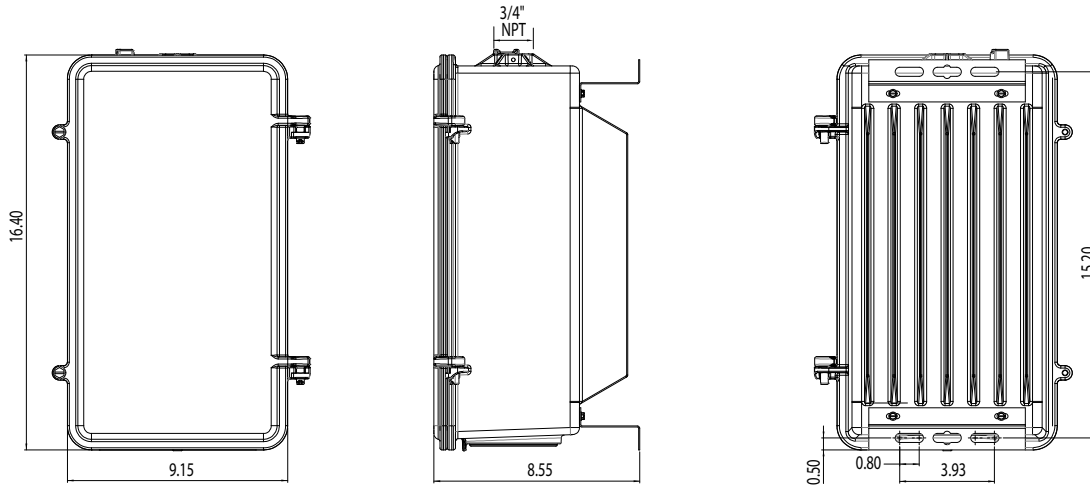
HOL01 HA Top



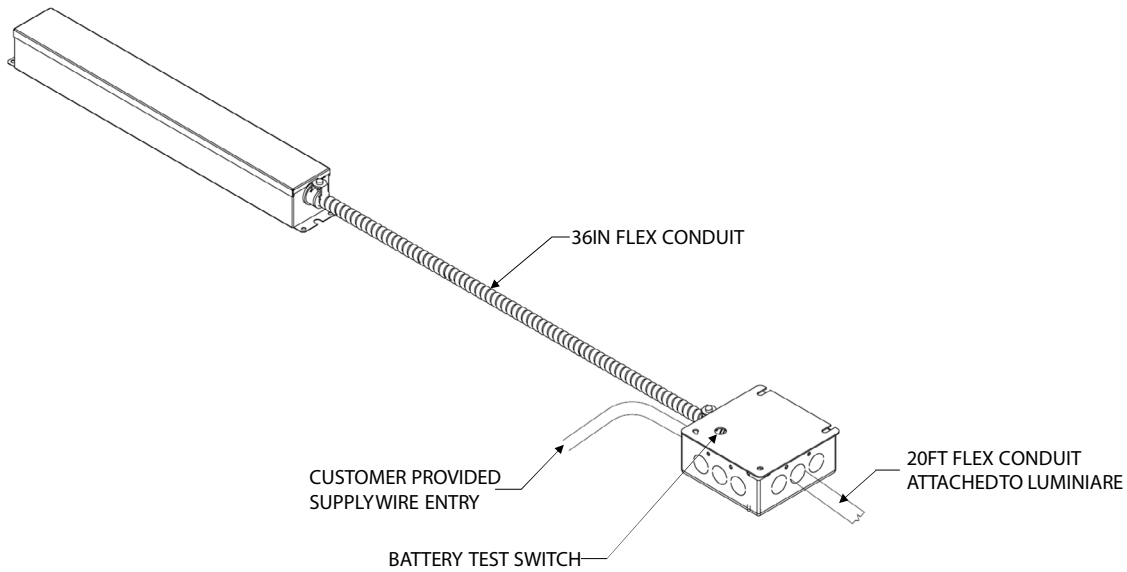
HOL01 HA Side



IE18WCPHECWR Remote Battery Enclosure (finish will match luminaire)



IE20WCPHER or IE30WCPHER Remote Batteries



EMBEDDED LUMINAIRE TECHNOLOGY GUIDE

Control Type	Sensor Nomenclature	Sensor Used	Out Of The Box Settings					Notes
			Unoccupied Time Until Dim	Dim to Off Time Delay	Occupied Dim Level	Unoccupied Dim Level	Daylighting Set Point	
Sensor Switch Embedded Controls	SBG10	SBG 10 EZ WH 0V	5M	n/a	100%	0V	n/a	360° Low mount standalone embedded sensor (8-15ft), on/off occupancy
	SBG10 D 3V	SBG 10 EZ WH 3V	5M	n/a	100%	30%	n/a	360° Low mount standalone embedded sensor (8-15ft), occupancy controlled high/low dimming, 30% min dim level
	SBG10 P	SBG 10 EZ P WH 0V 10M	10M	n/a	100%	0V	5FC	360° Low mount standalone embedded sensor (8-15ft), on/off photocell
	SBG6	SBG 6 EZ WH 0V	5M	n/a	100%	0V	n/a	360° High mount standalone embedded sensor (15-30ft), on/off occupancy
	SBG6 D 3V	SBG 6 EZ WH 3V	5M	n/a	100%	30%	n/a	360° High mount standalone embedded sensor (15-30ft), occupancy controlled high/low dimming, 30% min dim level
	SBG6 P	SBG 6 EZ P WH 0V 10M	10M	n/a	100%	0V	5FC	360° High mount standalone embedded sensor (15-30ft), on/off photocell
Sensor Switch Embedded Controls	SBG10 ER	SBG 10 EZ WH 0V	5M	n/a	100%	0V	n/a	360° Low mount standalone embedded sensor (8-15ft), on/off occupancy, UL924 emergency operation, includes IOTA ETS DR, 5 conductor power input
	SBG10 D 3V ER	SBG 10 EZ WH 3V	5M	n/a	100%	30%	n/a	360° Low mount standalone embedded sensor (8-15ft), occupancy controlled high/low dimming, 30% min dim level, UL924 emergency operation, includes IOTA ETS DR, 5 conductor power input
	SBG10 P ER	SBG 10 EZ P WH 0V 10M	10M	n/a	100%	0V	5FC	360° Low mount standalone embedded sensor (8-15ft), on/off photocell, UL924 emergency operation, includes IOTA ETS DR, 5 conductor power input
	SBG6 ER	SBG 6 EZ WH 0V	5M	n/a	100%	0V	n/a	360° High mount standalone embedded sensor (15-30ft), on/off occupancy, UL924 emergency operation, includes IOTA ETS DR, 5 conductor power input
	SBG6 D 3V ER	SBG 6 EZ WH 3V	5M	n/a	100%	30%	n/a	360° High mount standalone embedded sensor (15-30ft), occupancy controlled high/low dimming, 30% min dim level, UL924 emergency operation, includes IOTA ETS DR, 5 conductor power input
	SBG6 P ER	SBG 6 EZ P WH 0V 10M	10M	n/a	100%	0V	5FC	360° High mount standalone embedded sensor (15-30ft), on/off photocell, UL924 emergency operation, includes IOTA ETS DR, 5 conductor power input
Bluetooth® Embedded Controls	SBG10 OCC BTP	SBG10 BTP OCC	10M	n/a	10V	n/a	n/a	360° Low mount Bluetooth embedded sensor (7-15ft), on/off occupancy
	SBG10 HL BTP	SBG10 BTP HL	10M	2.5M	10V	10%	n/a	360° Low mount Bluetooth embedded sensor (7-15ft), high/low/(off) occupancy dimming
	SBG10 ADC BTP	SBG10 BTP ADC	10M	2.5M	10V	10%	50FC	360° Low mount Bluetooth embedded sensor (7-15ft), on/off occupancy with auto dimming photocell
	SBG10 ANL BTP	SBG10 BTP ANL	10M	n/a	10V	10%	50FC	360° Low mount Bluetooth embedded sensor (7-15ft), high/low/(off) occupancy dimming with auto dimming photocell
	SBG6 OCC BTP	SBG6 BTP OCC	10M	n/a	10V	n/a	n/a	360° High mount Bluetooth embedded sensor (15-45ft), on/off occupancy
	SBG6 HL BTP	SBG6 BTP HL	10M	2.5M	10V	10%	n/a	360° High mount Bluetooth embedded sensor (15-45ft), high/low/(off) occupancy dimming
	SBG6 ADC BTP	SBG6 BTP ADC	10M	2.5M	10V	10%	50FC	360° High mount Bluetooth embedded sensor (15-45ft), on/off occupancy with auto dimming photocell
	SBG6 ANL BTP	SBG6 BTP ANL	10M	n/a	10V	10%	50FC	360° High mount Bluetooth embedded sensor (15-45ft), high/low/(off) occupancy dimming with auto dimming photocell
Bluetooth® Embedded Controls	SBG10 OCC BTP ER	SBG10 BTP OCC	10M	n/a	10V	n/a	n/a	360° Low mount Bluetooth embedded sensor (7-15ft), on/off occupancy, UL924 emergency operation, includes IOTA ETS DR, 5 conductor power input
	SBG10 HL BTP ER	SBG10 BTP HL	10M	2.5M	10V	10%	n/a	360° Low mount Bluetooth embedded sensor (7-15ft), high/low/(off) occupancy dimming, UL924 emergency operation, includes IOTA ETS DR, 5 conductor power input
	SBG10 ADC BTP ER	SBG10 BTP ADC	10M	2.5M	10V	10%	50FC	360° Low mount Bluetooth embedded sensor (7-15ft), on/off occupancy with auto dimming photocell, UL924 emergency operation, includes IOTA ETS DR, 5 conductor power input
	SBG10 ANL BTP ER	SBG10 BTP ANL	10M	n/a	10V	10%	50FC	360° Low mount Bluetooth embedded sensor (7-15ft), high/low/(off) occupancy dimming with auto dimming photocell, UL924 emergency operation, includes IOTA ETS DR, 5 conductor power input
	SBG6 OCC BTP ER	SBG6 BTP OCC	10M	n/a	10V	n/a	n/a	360° High mount Bluetooth embedded sensor (15-45ft), on/off occupancy, includes IOTA ETS DR, 5 conductor power input
	SBG6 HL BTP ER	SBG6 BTP HL	10M	2.5M	10V	10%	n/a	360° High mount Bluetooth embedded sensor (15-45ft), high/low/(off) occupancy dimming, UL924 emergency operation, includes IOTA ETS DR, 5 conductor power input
	SBG6 ADC BTP ER	SBG6 BTP ADC	10M	2.5M	10V	10%	50FC	360° High mount Bluetooth embedded sensor (15-45ft), on/off occupancy with auto dimming photocell, UL924 emergency operation, includes IOTA ETS DR, 5 conductor power input
	SBG6 ANL BTP ER	SBG6 BTP ANL	10M	n/a	10V	10%	50FC	360° High mount Bluetooth embedded sensor (15-45ft), high/low/(off) occupancy dimming with auto dimming photocell, UL924 emergency operation, includes IOTA ETS DR, 5 conductor power input

EMBEDDED LUMINAIRE TECHNOLOGY GUIDE (cont.)

Control Type	Sensor Nomenclature	Sensor Used	Out Of The Box Settings					Notes
			Unoccupied Time Until Dim	Dim to Off Time Delay	Occupied Dim Level	Unoccupied Dim Level	Daylighting Set Point	
nLight Air Embedded Controls	NLTAIR2 APIR	RSBG 10 ZTS WH G2	7.5M	2.5M	100%	10%	50FC	360° Low mount nLight air embedded sensor (8-15ft), combined daylight and occupancy dimming, fully programmable with Clarity+ Pro app
	NLTAIR2 APIRM	RSBG 6 ZTS WH G2	7.5M	2.5M	100%	10%	50FC	360° High mount nLight air embedded sensor (15-30ft), combined daylight and occupancy dimming, fully programmable with Clarity+ Pro app
	NLTAIR2 APIRH	RSBG 40 ZTS WH G2	7.5M	2.5M	100%	10%	50FC	360° High bay nLight air embedded sensor (40ft), combined daylight and occupancy dimming, fully programmable with Clarity+ Pro app
	NLTAIREM2 APIR	RSBG 10 ZT EM WH G2	7.5M	2.5M	100%	10%	50FC	360° Low mount nLight air embedded sensor (8-15ft), combined daylight and occupancy dimming, fully programmable with Clarity+ Pro app, UL924 emergency operation, 3 conductor power input
	NLTAIREM2 APIRM	RSBG 6 ZT EM WH G2	7.5M	2.5M	100%	10%	50FC	360° High mount nLight air embedded sensor (15-30ft), combined daylight and occupancy dimming, fully programmable with Clarity+ Pro app, UL924 emergency operation, 3 conductor power input
	NLTAIREM2 APIRH	RSBG 40 ZT EM WH G2	7.5M	2.5M	100%	10%	50FC	360° High bay nLight air embedded sensor (40ft), combined daylight and occupancy dimming, fully programmable with Clarity+ Pro app, UL924 emergency operation, 3 conductor power input
	NLTAIRER2 APIR	RSBG 10 ZTS WH G2	7.5M	2.5M	100%	10%	50FC	360° Low mount nLight air embedded sensor (8-15ft), combined daylight and occupancy dimming, fully programmable with Clarity+ Pro app, UL924 emergency operation, includes IOTA ETS DR, 5 conductor power input
	NLTAIRER2 APIRM	RSBG 40 ZTS WH G2	7.5M	2.5M	100%	10%	50FC	360° High mount nLight air embedded sensor (15-30ft), combined daylight and occupancy dimming, fully programmable with Clarity+ Pro app, UL924 emergency operation, includes IOTA ETS DR, 5 conductor power input
	NLTAIRER2 APIRH	RSBG 40 ZTS WH G2	7.5M	2.5M	100%	10%	50FC	360° High bay nLight air embedded sensor (40ft), combined daylight and occupancy dimming, fully programmable with Clarity+ Pro app, UL924 emergency operation, includes IOTA ETS DR, 5 conductor power input
	NLTAIR2	RIO ZTS EXTDB ACWH 180D G2	n/a	n/a	80%	n/a	n/a	nLight air embedded network interface, fully programmable with Clarity+ Pro app
	NLTAIREM2	RIO ZT EM EXTDB ACWH 180D G2	n/a	n/a	80%	n/a	n/a	nLight air embedded network interface, fully programmable with Clarity+ Pro app, UL924 emergency operation, 3 conductor power input
NLTAIRER2	RIO ZTS EXTDB ACWH 180D G2	n/a	n/a	80%	n/a	n/a	nLight air embedded network interface, fully programmable with Clarity+ Pro app, UL924 emergency operation, includes IOTA ETS DR, 5 conductor power input	
nLight Wired Power Packs	NLIGHTKO	NPP16 D EFP	n/a	n/a	10V	0V	n/a	nLight wired power pack
	NLIGHTERKO	NPP16 D ER EFP	n/a	n/a	10V	0V	n/a	nLight wired power pack, UL924 emergency operation, 5 conductor power input
	NLIGHTKOX2	(2) NPP16 D EFP	n/a	n/a	10V	0V	n/a	(2) nLight wired power packs for independent dimming control of uplight and downlight
	NLIGHTERKOX2	(2) NPP16 D ER EFP	n/a	n/a	10V	0V	n/a	(2) nLight wired power packs for independent dimming control of uplight and downlight, UL924 emergency operation, 5 conductor power input
nLight Air Power Packs	NLTAIR2KO	RPP20 D EFP	n/a	n/a	10V	0V	n/a	nLight air power pack
	NLTAIREM2KO	RPP20 D EM EFP	n/a	n/a	10V	0V	n/a	nLight air power pack, UL924 Emergency Operation, via separate normal power sensing device, 3 conductor power input
	NLTAIRER2KO	RPP20 D ER EFP	n/a	n/a	10V	0V	n/a	nLight air power pack, UL924 Emergency Operation, via power sense leads, 5 conductor power input
	NLTAIR2KOX2	(2) RPP20 D EFP	n/a	n/a	10V	0V	n/a	(2) nLight air power packs for independent dimming control of uplight and downlight
	NLTAIREM2KOX2	(2) RPP20 D EM EFP	n/a	n/a	10V	0V	n/a	(2) nLight air power packs for independent dimming control of uplight and downlight, UL924 Emergency Operation, via separate normal power sensing device, 3 conductor power input
	NLTAIRER2KOX2	(2) RPP20 D ER EFP	n/a	n/a	10V	0V	n/a	(2) nLight air power packs for independent dimming control of uplight and downlight, UL924 Emergency Operation, via power sense leads, 5 conductor power input