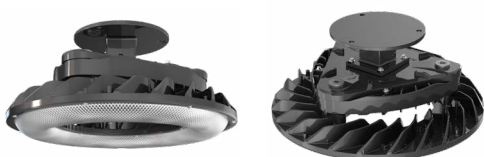


Catalog Number	
Notes	Type

**HOLOBAY™**  
LED High Bay  
Wet Location Listed  
Crane Mount



**HOLO1 CRN**  
(Small Optical, Large Electrical)



**HOLO2 CRN**  
(Large Optical, Large Electrical)



**Description**

The low profile HOLOBAY™ LED is the next generation of robust round high bays for the most demanding environments. Designed with features and unmatched electrical, environmental and thermal ratings while providing superior efficiency, visual comfort, exceptional illumination and ease of installation.

**Optics**

- Prismatic borosilicate glass maintains the highest levels of luminosity over time.
- Glass doesn't fade, discolor, or otherwise degrade in harsh environments.
- Optional silicone rubber lens that will not brown, chip, shatter, or break.
- Five distributions available to achieve results from any mounting height.
- Prismatic optics combined with high efficiency LEDs achieve maximum spacing and superior uniformity.
- Optional uplight module provides 12-15% more output.
- Optics can be installed facing down or inverted (IVO)
- Certain airborne contaminants may adversely affect the functioning of LEDs and other electronic components, depending on various factors such as concentrations of the contaminants, ventilation, and temperature at the end-user location [Click here for a list of substances that may not be suitable for interaction with LEDs and other electronic components.](#)

**Mechanical**

- Robust A380 cast aluminum housing with low copper content (3.5%) withstands hot and dirty environments.
- Super durable TGIC thermoset powder coat finish coupled with corrosion resistant primer is a five-stage pre-treating and painting process that yields over 5,000 hours salt rating per ASTM B117.
- Stainless steel hardware (410SS).
- Hinged electrical enclosure for easy access to components.
- Includes 3 ¼" NPT hubs (uses A356.0-T6 aluminum plugs) for wiring access.
- Standard non-silicone gasket (EPDM).

**Installation**

- Crane Mount (CRN)
- Remote Crane Mount (CRN REM)

**Electrical**

- MVOLT (120-277V) Thermally protected, resetting, Class P, UL listed, CSA certified driver. (HOLO1 & HOLO2: all lumen packages)
- HVOLT (347-480V), Thermally protected, resetting, Class P, UL listed, CSA certified driver. (HOLO2 100000LM only)
- XVOLT (277-480V) is a robust driver solution designed to assist with power quality issues and a dropped neutral in 277V input as derived from 480V Wye. (HOLO1: all lumen packages, HOLO2: 35000LM-90000LM only)
- Fault-tolerant LED light engine continues to provide light even in the failure of one LED.
- FCC Title 47, Part 15, Subpart A Compliant.
- 0-10V Dimming driver is standard, dims to 10%.
- 20 kV/10kA surge rated per ANSI C82.77-5-2015 (standard).
- Sulfur robust light engine is standard ‡

**Listings**

- CSA Certified to meet US and Canadian standards
- NOM Certified
- Suitable for use in wet locations
- -40°F (-40°C) to 158°F (70°C)
- 3G rated per ANSI C136.31
- IP65, IP66 rated per IEC60529
- NEMA 4X
- NEMA4X rated

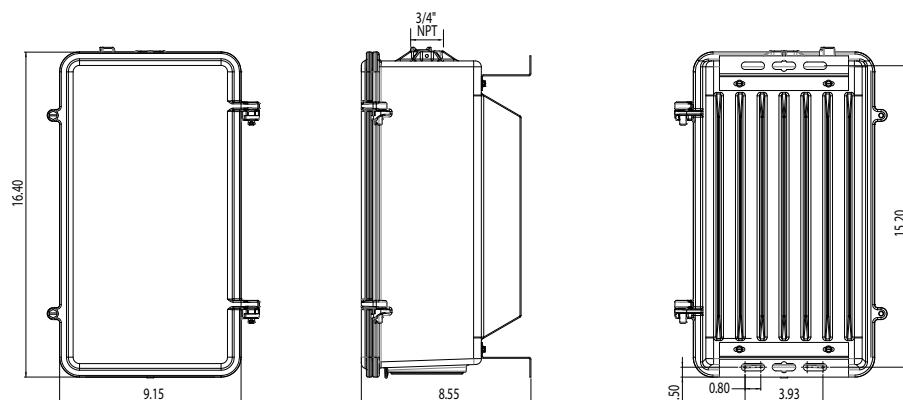
**Warranty**

5-year limited warranty. This is the only warranty provided and no other statements in this specification sheet create any warranty of any kind. All other express and implied warranties are disclaimed. Complete warranty terms located at: [www.acuitybrands.com/support/warranty/terms-and-conditions](http://www.acuitybrands.com/support/warranty/terms-and-conditions)

**NOTE:** Actual performance may differ as a result of end-user environment and application. All values are design or typical values, measured under laboratory conditions at 25 °C.

‡ Upgraded LED boards with sulfur robust solution does not change the warranty and standard terms apply which will not cover any damage due to exposure from sulfur.

**REM** Remote Electrical Enclosure (18.93 lbs w/3 drivers) or **IE18WCPHECWR** Remote Battery Enclosure (finish will match luminaire)



Typical Applications	
• Airplane Hanger	• Manufacturing
• Automotive	• Pulp & Paper Mill
• Foundry	• Steel Mill
• Heavy Industrial	• Warehouse
• Large Indoor	• Cranes/Catwalks

Dimensions: Inches (millimeters) unless otherwise noted.
<b>Small Optical:</b>
Diameter: 19.2in (487.68mm)
Height: 10.63in (270mm)
Weight: 40lbs (18.14kg)
<b>Large Optical:</b>
Diameter: 23.2in (589.2mm)
Height: 11.5in (292.1mm)
Weight: 50lbs (22.68kg)
<b>Pallet Size:</b>
HOLO1: 16 fixtures per pallet
HOLO2: 12 fixtures per pallet

**ORDERING INFORMATION**

**Example:** HOLO1 24000LM MD MVOLT 40K 80CRI CRN MISC DWHXD

Series	Lumens	Distribution	Voltage	Color Temperature	CRI	Mounting	Remote
HOLO1 Small Optical	12000LM 12,000 Nominal Lumens	AD Aisle Glass	MVOLT 120-277VAC, 50/60 Hz	30K 3000K CCT	70CRI 70 CRI	CRN Crane Mount ‡	(blank) Integral driver
	15000LM 15,000 Nominal Lumens	ADFR Aisle Frosted Glass	120 120VAC, 50/60 Hz	35K 3500K CCT	80CRI 80 CRI		REM Remote driver
	18000LM 18,000 Nominal Lumens	FD Focus Glass	208 208VAC, 50/60 Hz	40K 4000K CCT	90CRI 90 CRI		
	24000LM 24,000 Nominal Lumens	FDFR Focus Frosted Glass	240 240VAC, 50/60 Hz	50K 5000K CCT			
	30000LM 30,000 Nominal Lumens	FSMG Focus Smooth Glass	277 277VAC, 50/60 Hz				
	35000LM 35,000 Nominal Lumens	MD Medium Glass	HVOLT 347-480VAC, 50/60 Hz ‡				
	40000LM 40,000 Nominal Lumens	MDFR Medium Frosted Glass	347 347VAC, 50/60 Hz ‡				
	45000LM 45,000 Nominal Lumens	ND Narrow Glass	480 480VAC, 50/60 Hz ‡				
	50000LM 50,000 Nominal Lumens	NDFR Narrow Frosted Glass	XVOLT 277-480VAC, 50/60 Hz ‡				
	60000LM 60,000 Nominal Lumens	WD Wide Glass	277X 277VAC, 50/60 Hz ‡				
HOLO2 Large Optical	35000LM 35,000 Nominal Lumens	WDFR Wide Frosted Glass	347X 347VAC, 50/60 Hz ‡				
	40000LM 40,000 Nominal Lumens		480X 480VAC, 50/60 Hz ‡				
	45000LM 45,000 Nominal Lumens		125VDC 125V, DC Driver ‡				
	50000LM 50,000 Nominal Lumens		250VDC 250V, DC Driver ‡				
	60000LM 60,000 Nominal Lumens						
	70000LM 70,000 Nominal Lumens						
	80000LM 80,000 Nominal Lumens						
	90000LM 90,000 Nominal Lumens						
	100000LM 100,000 Nominal Lumens						

Options	Primary Finish
<p><b>Emergency:</b></p> <p>ETS Emergency lighting control device for UL924 operation when using auxiliary generator or central inverter ‡</p> <p>IE07WCPHECW 7W Emergency battery pack, dual stage output, title 20 compliant, UL924 compliant, self-diagnostic, cold weather (-20°), internally mounted, wet location (120-277V) ‡</p> <p>IE18WCPHECWR 18W Emergency battery pack, constant power, title 20 compliant, UL924 compliant, IP67 test switch, cold weather (-20°), remote mounted, wet location (120-277V) ‡</p> <p>IE20WCPHER 20W Emergency battery pack, constant power, title 20 compliant, UL924 compliant, self-diagnostic, (0°), remote mounted, damp location (120-480V) ‡</p> <p>IE30WCPHER 30W Emergency battery pack, constant power, title 20 compliant, UL924 compliant, self-diagnostic, (0°), remote mounted, damp location (120-480V) ‡</p> <p>EMR 2470P Red emergency indicator, center cover plate painted red 24/7 Operation with emergency battery and 3 conductor cord or plug ‡</p> <p><b>Surge Protection:</b></p> <p>(blank) 20kV/10kA surge protection based on voltage selected (120-480V)</p> <p><b>Sensor Switch Embedded Controls:</b></p> <p>SBG6 360° High Mount Sensor, (15-30' mounting heights, more options available), on/off occupancy</p> <p>SBG10 OCC BTP 360° Low Mount Sensor, (8-15' mounting heights, more options available), on/off occupancy, utilizes smart hub for Bluetooth® programmability ‡</p> <p><a href="#">See chart for additional control options</a></p> <p><b>nLight® Embedded Controls:</b></p> <p>NLTAIR2 Embedded wireless controls by nLight</p> <p>NLTAIR2 APIR Embedded wireless controls by nLight, Passive Infrared Occ sensor with auto-dimming photocell</p> <p>NLTAIR2KO Embedded wireless controls by nLight, control mounted external to the luminaire via a KO ‡</p> <p>NLTAIR2KOX2 Embedded wireless controls by nLight, 2 separate controls mounted external to the luminaire via a KO for independent control of uplight and downlight ‡</p> <p>NLIGHTKO Embedded wired controls by nLight, control mounted external to the luminaire via a KO ‡</p> <p>NLIGHTKOX2 Embedded wired controls by nLight, 2 separate controls mounted external to the luminaire via a KO for independent control of uplight and downlight ‡</p> <p><a href="#">See chart for additional control options</a></p>	<p><b>Primary Finish</b></p> <p>DBXD Super durable corrosion resistant black</p> <p>DGXD Super durable corrosion resistant grey</p> <p>DWHXD Super durable corrosion resistant white</p> <p>DNXD Super durable corrosion resistant satin nickel</p> <p>DGRXD Super durable corrosion resistant satin nickel</p>
<p><b>Cord Sets:</b></p> <p>CNP16W Cord, no plug, 16 gauge, 3 conductors, white, wet or damp locations, 6 feet, other lengths available</p> <p>CNP164CW Cord, no plug, 16 gauge, 4 conductors for use with EM battery, white, wet or damp locations, 6 feet, other lengths available ‡</p> <p>CNP165CW Cord, no plug, 16 gauge, 5 conductors for use with ER controls or ETS device with 2 power sources, white, wet or damp locations, 6 feet, other lengths available ‡</p> <p>CNP165CDW Cord, no plug, 16 gauge, 5 conductors for 0-10V dimming, white, wet or damp locations, 6 feet, other lengths available ‡</p> <p>CPTL16W Cord with NEMA twist lock 15 amp plug, 16 gauge, white, damp location, 6 feet, other lengths available</p> <p>CPTL16WWL Cord with NEMA twist lock 15 amp plug, 16 gauge, white, wet location, 6 feet, other lengths available</p> <p>CPTL20A16W Cord with NEMA twist lock 20 amp plug, 16 gauge, white, damp location, 6 feet, other lengths available</p> <p>CPTL20A16WWL Cord with Brad Mini Change® male connector, non-metallic coupling nut, 3 pole, 16 gauge, yellow, wet location, 6 feet, other lengths available ‡</p> <p>CPSB16W Cord with NEMA straight blade 15 amp plug, white, damp location, 6 feet, other lengths available</p> <p>CMCMBH16YWL Cord with brad mini change male connector, 3 pole, 16 gauge, yellow, wet location, 6 feet, other lengths available ‡</p> <p>MCRMBH16WL Receptacle with Brad Mini Change® male connector, stainless steel coupling nut, 3 pole, 16 gauge leads, wet location</p> <p><a href="#">See chart for additional cordset options</a></p> <p><b>Reloc®:</b></p> <p>OCS Reloc® One Pass® circuit selector system drop, 18 gauge, 3 conductors, 6 feet, other lengths available ‡</p> <p>OCS4C Reloc® One Pass® circuit selector system drop, 18-gauge, 4 conductors, for use with EM battery, 6 feet, other lengths available ‡</p> <p><a href="#">See chart for additional Reloc® options</a></p> <p><b>Other Options:</b></p> <p>2PA Safety chain factory attached to two points on the luminaire ‡</p> <p>A0 Adjustable output dimming ‡</p> <p>SCSS72 Stainless steel safety chain factory installed, 72in or 6ft long, other lengths available ‡</p> <p>UPL Uplight ‡</p> <p>WGX Factory installed zinc plated wire guard</p> <p>MISC Mex</p> <p><a href="#">See chart for additional accessory mounting options</a></p>	

**SEE NEXT PAGE FOR ACCESSORIES**

Option Value Ordering Restrictions & Notes	
Option value	Restriction
125VDC, 250VDC	Not available with HOLO2 100000LM, SBG BTP sensors, ETS, ER controls, EM batteries (IE07WCPHCW, IE18WCPHECWR, IE20WCPHER, IE30WCPHER), Uplight (UPL).
2470P	Required when an EM battery and a 3 conductor cordset or RELOC cable is selected. The driver and EM battery power inputs will be tied together and the fixture will be not be able to be turned off without controls. When ordered with a cordset that includes a plug, the max cord length will be 3 feet.
277X, 347X, 480X	Not available with HOLO2 100000LM.
2PA	Requires SCSS option called out. 2PA = second point of attachment and SCSS = overall length of the safety chain. Example: SCSS72 2PA = 72in or 6ft of SS safety chain attached to two points on the luminaire.
347, 480	Available with HOLO2 100000LM only.
AO	Not available with Sensor Switch embedded dimming controls, nLight embedded controls, 5 conductor dual voltage (CNP165C) or 5 conductor dimming (CNP165CD) cordsets. Available with non-dimming Sensor Switch embedded controls (SBG6 or SBG10; occupancy only).
CMCMBH16YWL	Available in 6 or 12 feet lengths.
CNP164CW	Available with EM battery only (IE07WCPHECW, IE18WCPHECWR, IE20WCPHER, IE30WCPHER).
CNP165CDW	Not available with EM Batteries (IE07WCPHECW, IE18WCPHECWR, IE20WCPHER, IE30WCPHER), ETS, AO, Sensor Switch embedded dimming controls, nLight embedded controls. Available with non-dimming Sensor Switch embedded controls (SBG6 or SBG10; occupancy only).
CNP165CW	Available with ETS or ER controls only.
CRN	HOLO1 requires large electrical to accommodate crane mounting bracket. HA is not specified in the nomenclature as seen on the HOLOBAY pendant version.
ETS	Not available with EM batteries (IE07WCPHECW, IE18WCPHECWR, IE20WCPHER, IE30WCPHER), EM or ER controls, QD, QR mounting, Reloc (OCS, OCS4C), UPH Cordset (PHCB, PHCBL8480). 120-277V only. Available with a 5 conductor dual voltage cordset (CNP165C), but not required. For HOLO1 (all lumen packages) and HOLO2 35000LM-60000LM, an IOTA <a href="#">ETS DR</a> will be used and a base fixture will be wet location rated. For HOLO2 70000LM-100000LM, an IOTA <a href="#">ETS 20 DR</a> will be externally mounted and the fixture will be damp location rated.
HVOLT	Available with HOLO2 100000LM only.
IE07WCPHECW	Internally mounted and wet Location rated. Available with HOLO1 HOLO1 12000LM-40000LM and 120-277V only. Available with 4 conductor (CNP164C) cordsets. Also available with 3 conductor (CNP16) cordsets or a cordset with a plug (CPTL16, CPTL20A16). Plug requires 2470P option with a max length of 3ft. Utilizes IOTA <a href="#">ILBLP SP07 HE SD LC CW</a> battery.
IE18WCPHECWR	Remote mounted and wet location rated. Available with HOLO1 HOLO1 12000LM-40000LM only. 120-277 only. Available with 4 conductor (CNP164C) cordsets. Also available with 3 conductor (CNP16) cordsets or a cordset with a plug (CPTL16, CPTL20A16). Plug requires 2470P option with a max length of 3ft. Utilizes IOTA <a href="#">ILB CP18 HE CW 1LA</a> battery.
IE20WCPHER	Remote mounted and damp location rated. Available with all lumen packages. Available with 120-480V. Available with 4 conductor (CNP164C) cordsets. Also available with 3 conductor (CNP16) cordsets or a cordset with a plug (CPTL16, CPTL20A16). Plug requires 2470P option with a max length of 3ft. Test switch and supply power input located in a remote junction box between battery and luminaire. Utilizes IOTA <a href="#">ILBLP CP20 HE SD HV S</a> for 120-277V and IOTA <a href="#">ILBHI CP20 HE SD HV S</a> for 347-480V batteries.
IE30WCPHER	Remote mounted and damp location rated. Available with all lumen packages. Available with 120-480V. Available with 4 conductor (CNP164C) cordsets. Also available with 3 conductor (CNP16) cordsets or a cordset with a plug (CPTL16, CPTL20A16). Plug requires 2470P option with a max length of 3ft. Test switch and supply power input located in a remote junction box between battery and luminaire. Utilizes IOTA <a href="#">ILBLP CP30 HE SD HV S</a> for 120-277V and IOTA <a href="#">ILBHI CP30 HE SD HV S</a> for 347-480V batteries.
NLIGHTKO	Damp location rated. Will be mounted externally on an available opening on top the luminaire. 120-347V only.
NLIGHTKX2	Damp location rated. Will be mounted externally on an available opening on top the luminaire. 120-347V only. Uplight (UPL) option required.
NLTAIR2KO	Damp location rated. Will be mounted externally on an available opening on top the luminaire. Available with 120-480V.
NLTAIR2KX2	Damp location rated. Will be mounted externally on an available opening on top the luminaire. 120-480V. Uplight (UPL) option required.
OCS	Available in 6, 10, 15, 20, 25 feet lengths. Example: OCS10FT = 10ft long. Dry location rated. Not available with ETS or ER controls. Must Specify voltage.
OCS4C	Available in 6, 10, 15, 20, 25 feet lengths. Example OCS4C20FT = 20ft long. Dry location rated. Available with EM batteries (IE07WCPHECW, IE18WCPHECWR, IE20WCPHER, IE30WCPHER) only. Must Specify voltage. Available with 120 or 277V only.
SBG10 OCC BTP	Not available with 125VDC or 250VDC (any lumen package) or HOLO2 70000LM-100000LM (any voltage).
SCSS72	Available in 36, 72, 120, 144 and 240 inch lengths. Example: SCSS120 = 120in or 10ft long.
Uplight	Damp location rated. 120-277V only. Not available with HOLO2 70000LM-100000LM (any voltage).
XVOLT	Not available with HOLO2 100000LM.

## ACCESSORIES

### SAFETY CHAIN OPTIONS

Example: HOLOCHAINSS 120IN

Series	Length
HOLOCHAINSS	36IN 36in or 3ft
	72IN 72in or 6ft
	120IN 120in or 10ft
	144IN 144in or 12ft
	240IN 240in or 20ft

### MISCELLANEOUS ACCESSORIES

Part Number	Description
HOLO1WG	Galvanized wire guard accessory (small)
HOLO2WG	Galvanized wire guard accessory (large)
HCMCFBH16YWL	Cord with Brad Mini Change® female connector, stainless steel coupling nut, 3 pole, 16 gauge, yellow, wet location, 6 feet, for use with the MCRMBH16WL receptacle
HMCRCFBH16WL	Receptacle with Brad Mini Change® female connector, nonmetallic coupling nut, 3 pole, 16 gauge leads, wet location, for use with CMCMBH16YWL and CMCMBH16YWL12FT cordsets

**ADDITIONAL CORDSET OPTIONS**

Plug Option	Plug Type	Amperage	Gauge	# of conductors	Color	Location	Length
CNP Cord only	(blank) No plug option (for cord only option)	(blank) 15 amps	16 16 gauge	(blank) 3 conductors	(blank) Black	(blank) Damp	(blank) 6 feet
CP Cord with plug	TL Twist lock	20A 20 amps		4C 4 conductors (for use with EM battery)	W White	WL Wet ‡	3FT 3 feet
CMC Cord with mini change Plug ‡	SB Straight blade ‡			5C 5 conductors (for use with ETS or ER controls)	Y Yellow ‡		10FT 10 feet
RMC Mini change receptacle	MBH Male Brad Harrison			5CD 5 conductors (for use with 0-10V dimming)			12FT 12 feet 15FT 15 feet 20FT 20 feet 25FT 25 feet 30FT 30 feet

Notes ‡	
CMC	Available in 6ft or 12ft lengths only.
SB	Not available with WL.
WL	Not available with SB.
Y	Available with CMC or RMC only.

**NEMA PLUG CONFIGURATIONS**

Voltage	Straight Blade	15A Twist Lock	20A Twist Lock
MVOLT	NA	NA	NA
120	5-15P	L5-15P	L5-20P
208	NA	L6-15P	L6-20P
240	NA	L6-15P	L6-20P
277	7-15P	L7-15P	L7-20P
HVOLT	NA	NA	NA
347	NA	NA	L24-20P
480	NA	NA	L8-20P
XVOLT	NA	NA	NA
277X	NA	L7-15P	L7-20P
347X	NA	NA	L24-20P
480X	NA	NA	L8-20P



Example: OCS10

Part Number	Length
OCS (3) 18 AWG conductors, including ground	(blank) 6 feet
OCS4C (4) 18 AWG conductors, including ground, for use with EM batteries	10 10 feet 15 15 feet 20 20 feet 25 25 feet

**ADJUSTABLE OUTPUT PERFORMANCE**

AO Position	Lumen Output	Wattage
1	19%	19%
2	29%	27%
3	42%	40%
4	55%	53%
5	70%	68%
6	81%	79%
7	95%	94%
8	100%	100%

**EMERGENCY LUMEN PERFORMANCE**

Option	Approximate Luminaire Efficacy	1 Minute	45 Minutes	90 Minutes
IE20WCPHER	100 LPW	2000	2000	<b>2000</b>
	110 LPW	2200	2200	<b>2200</b>
	120 LPW	2400	2400	<b>2400</b>
	130 LPW	2600	2600	<b>2600</b>
	140 LPW	2800	2800	<b>2800</b>
	150 LPW	3000	3000	<b>3000</b>
IE30WCPHER	100 LPW	3000	3000	<b>3000</b>
	110 LPW	3300	3300	<b>3300</b>
	120 LPW	3600	3600	<b>3600</b>
	130 LPW	3900	3900	<b>3900</b>
	140 LPW	4200	4200	<b>4200</b>
	150 LPW	4500	4500	<b>4500</b>

**How to Estimate Delivered Lumens in Emergency Mode**  
 Use the formula below to estimate the delivered lumens in emergency mode  
**Delivered Lumens = P x LPW**  
 P = Output power of emergency driver  
 LPW = Lumen per watt rating of the luminaire. (See charts on pages 7)  
 The LPW rating is also available at [Designlight Consortium](#)

P = 7 watts for IE07WCPHECW  
 P = 18 watts for IE18WCPHECWR  
 P = 20 watts for IE20WCPHER  
 P = 30 watts for IE30WCPHER

**OPERATING CHARACTERISTICS**

Nominal Lumens	Distribution	Input Watts †	70CRI				80CRI				90CRI				
			30K	35K	40K	50K	30K	35K	40K	50K	30K	35K	40K	50K	
HOLO1 CRN 12000LM	AD	70	11760	12167	12539	12539	10878	11014	11489	11591	8031	8395	8692	9453	Lumens
			168	174	179	179	155	157	164	166	115	120	124	135	LPW
	MD		12475	12907	13302	13302	11541	11685	12189	12296	8520	8906	9221	10027	Lumens
			178	184	190	190	165	167	174	176	122	127	132	143	LPW
	MDFR		10380	10739	11067	11067	9601	9720	10141	10230	7088	7410	7672	8343	Lumens
			148	153	158	158	137	139	145	146	101	106	110	119	LPW
	ND		11917	12330	12707	12707	11024	11163	11643	11746	8138	8507	8809	9579	Lumens
			170	176	182	182	157	159	166	168	116	122	126	137	LPW
	NDFR		11645	12047	12416	12416	10771	10907	11377	11477	7952	8313	8607	9361	Lumens
			166	172	177	177	154	156	163	164	114	119	123	134	LPW
	WD		12531	12965	13362	13362	11590	11738	12243	12352	8557	8945	9262	10071	Lumens
			179	185	191	191	166	168	175	176	122	128	132	144	LPW
	WDFR		10820	11194	11536	11536	10008	10132	10571	10664	7389	7724	7998	8697	Lumens
			155	160	165	165	143	145	151	152	106	110	114	124	LPW

Nominal Lumens	Distribution	Input Watts †	70CRI				80CRI				90CRI				
			30K	35K	40K	50K	30K	35K	40K	50K	30K	35K	40K	50K	
HOLO1 CRN 15000LM	AD	91	14918	15435	15907	15907	13800	13973	14575	14703	10188	10649	11026	11991	Lumens
			164	170	175	175	152	154	160	162	112	117	121	132	LPW
	MD		15826	16373	16874	16874	14640	14822	15461	15598	10806	11299	11699	12721	Lumens
			174	180	185	185	161	163	170	171	119	124	129	140	LPW
	MDFR		13167	13622	14040	14040	12180	12331	12864	12977	8992	9399	9732	10584	Lumens
			145	150	154	154	134	136	141	143	99	103	107	116	LPW
	ND		15119	15642	16121	16121	13985	14160	14770	14900	10324	10791	11175	12152	Lumens
			166	172	177	177	154	156	162	164	113	119	123	134	LPW
	NDFR		14772	15283	15751	15751	13666	13836	14432	14559	10089	10545	10920	11874	Lumens
			162	168	173	173	150	152	159	160	111	116	120	130	LPW
	WD		15895	16445	16948	16948	14705	14888	15530	15666	10855	11345	11751	12778	Lumens
			175	181	186	186	162	164	171	172	119	125	129	140	LPW
	WDFR		13725	14199	14635	14635	12696	12855	13409	13527	9373	9797	10144	11032	Lumens
			151	156	161	161	140	141	147	149	103	108	111	121	LPW

Notes: †	
Input Watts	120VAC.
Operating Characteristics	Absolute photometry calculated in accordance with IESNA LM-79-08 @ 25°C.

**OPERATING CHARACTERISTICS**

Nominal Lumens	Distribution	Input Watts †	70CRI				80CRI				90CRI				
			30K	35K	40K	50K	30K	35K	40K	50K	30K	35K	40K	50K	
HOLO1 CRN 18000LM	AD	108	17404	18005	18558	18558	16100	16301	17002	17153	11886	12424	12864	13990	Lumens
			161	167	172	172	149	151	157	159	110	115	119	130	LPW
	MD		18461	19100	19687	19687	17079	17291	18036	18195	12610	13179	13647	14840	Lumens
			171	177	182	182	158	160	167	168	117	122	126	137	LPW
	MDFR		15361	15892	16378	16378	14211	14387	15007	15140	10491	10965	11354	12348	Lumens
			142	147	152	152	132	133	139	140	97	102	105	114	LPW
	ND		17636	18246	18806	18806	16316	16519	17231	17383	12046	12590	13037	14178	Lumens
			163	169	174	174	151	153	160	161	112	117	121	131	LPW
	NDFR		17234	17830	18376	18376	15942	16141	16837	16986	11770	12302	12739	13852	Lumens
			160	165	170	170	148	149	156	157	109	114	118	128	LPW
	WD		18543	19184	19775	19775	17154	17368	18116	18276	12666	13239	13708	14906	Lumens
			172	178	183	183	159	161	168	169	117	123	127	138	LPW
	WDFR		16012	16565	17072	17072	14813	14997	15643	15781	10936	11430	11835	12871	Lumens
			148	153	158	158	137	139	145	146	101	106	110	119	LPW

Nominal Lumens	Distribution	Input Watts †	70CRI				80CRI				90CRI				
			30K	35K	40K	50K	30K	35K	40K	50K	30K	35K	40K	50K	
HOLO1 CRN 24000LM	AD	137	23554	24367	25114	25114	21789	22060	23010	23214	16086	16814	17409	18931	Lumens
			172	178	183	183	159	161	168	169	117	123	127	138	LPW
	MD		24985	25850	26643	26643	23113	23401	24408	24626	17064	17834	18466	20084	Lumens
			182	189	194	194	169	171	178	180	125	130	135	147	LPW
	MDFR		20787	21506	22166	22166	19231	19470	20308	20488	14198	14840	15365	16708	Lumens
			152	157	162	162	140	142	148	150	104	108	112	122	LPW
	ND		23868	24694	25451	25451	22081	22356	23318	23524	16302	17039	17641	19184	Lumens
			174	180	186	186	161	163	170	172	119	124	129	140	LPW
	NDFR		23322	24130	24870	24870	21575	21844	22784	22986	15928	16650	17239	18746	Lumens
			170	176	182	182	157	159	166	168	116	122	126	137	LPW
	WD		25095	25963	26759	26759	23216	23505	24516	24734	17138	17915	18548	20174	Lumens
			183	190	195	195	169	172	179	181	125	131	135	147	LPW
	WDFR		21668	22417	23107	23107	20046	20295	21169	21356	14799	15469	16016	17416	Lumens
			158	164	169	169	146	148	155	156	108	113	117	127	LPW

Notes: †	
Input Watts	120VAC.
Operating Characteristics	Absolute photometry calculated in accordance with IESNA LM-79-08 @ 25°C.

**OPERATING CHARACTERISTICS**

Nominal Lumens	Distribution	Input Watts †	70CRI				80CRI				90CRI				
			30K	35K	40K	50K	30K	35K	40K	50K	30K	35K	40K	50K	
HOLO1 CRN 30000LM	AD	179	29591	30615	31553	31553	27374	27716	28909	29165	20209	21124	21873	23785	Lumens
			165	171	176	176	153	155	162	163	113	118	122	133	LPW
	MD		31391	32476	33473	33473	29039	29401	30668	30939	21439	22409	23202	25232	Lumens
			175	181	187	187	162	164	171	173	120	125	130	141	LPW
	MDFR		26118	27020	27849	27849	24160	24461	25514	25742	17838	18645	19305	20992	Lumens
			146	151	156	156	135	137	143	144	100	104	108	117	LPW
	ND		29987	31026	31975	31975	27740	28086	29296	29555	20480	21408	22165	24104	Lumens
			168	173	179	179	155	157	164	165	114	120	124	135	LPW
	NDFR		29302	30315	31244	31244	27107	27444	28627	28880	20012	20918	21658	23552	Lumens
			164	169	175	175	151	153	160	161	112	117	121	132	LPW
	WD		31530	32620	33619	33619	29168	29532	30804	31076	21533	22509	23305	25342	Lumens
			176	182	188	188	163	165	172	174	120	126	130	142	LPW
	WDFR		27224	28165	29029	29029	25184	25498	26595	26832	18594	19435	20123	21881	Lumens
			152	157	162	162	141	142	149	150	104	109	112	122	LPW

Nominal Lumens	Distribution	Input Watts †	70CRI				80CRI				90CRI				
			30K	35K	40K	50K	30K	35K	40K	50K	30K	35K	40K	50K	
HOLO1 CRN 35000LM	AD	217	33976	35151	36229	36229	31430	31822	33192	33487	23204	24254	25113	27310	Lumens
			157	162	167	167	145	147	153	154	107	112	116	126	LPW
	MD		36042	37289	38431	38431	33341	33758	35211	35524	24615	25728	26642	28971	Lumens
			166	172	177	177	154	156	162	164	113	119	123	134	LPW
	MDFR		29988	31024	31974	31974	27741	28087	29295	29554	20479	21406	22165	24103	Lumens
			138	143	147	147	128	129	135	136	94	99	102	111	LPW
	ND		34431	35622	36714	36714	31852	32248	33638	33936	23514	24579	25450	27675	Lumens
			159	164	169	169	147	149	155	156	108	113	117	128	LPW
	NDFR		33643	34807	35874	35874	31123	31511	32868	33159	22976	24018	24868	27043	Lumens
			155	160	165	165	143	145	151	153	106	111	115	125	LPW
	WD		36204	37454	38602	38602	33489	33906	35369	35682	24723	25842	26758	29099	Lumens
			167	173	178	178	154	156	163	164	114	119	123	134	LPW
	WDFR		31259	32339	33329	33329	28916	29276	30536	30809	21347	22312	23106	25125	Lumens
			144	149	154	154	133	135	141	142	98	103	106	116	LPW

Notes: †	
Input Watts	120VAC.
Operating Characteristics	Absolute photometry calculated in accordance with IESNA LM-79-08 @ 25°C.



**OPERATING CHARACTERISTICS**

Nominal Lumens	Distribution	Input Watts †	70CRI				80CRI				90CRI				
			30K	35K	40K	50K	30K	35K	40K	50K	30K	35K	40K	50K	
HOLO1 CRN 40000LM	AD	252	39781	41156	42418	42418	36800	37259	38864	39208	27168	28398	29405	31976	Lumens
			158	163	168	168	146	148	154	156	108	113	117	127	LPW
	MD		42201	43661	44998	44998	39039	39525	41229	41593	28820	30125	31193	33921	Lumens
			167	173	179	179	155	157	164	165	114	120	124	135	LPW
	MDFR		35111	36324	37438	37438	32481	32885	34302	34606	23979	25064	25952	28222	Lumens
			139	144	149	149	129	130	136	137	95	99	103	112	LPW
	ND		40313	41707	42987	42987	37293	37758	39385	39733	27532	28778	29798	32404	Lumens
			160	166	171	171	148	150	156	158	109	114	118	129	LPW
	NDFR		39392	40754	42004	42004	36440	36895	38484	38825	26902	28121	29116	31663	Lumens
			156	162	167	167	145	146	153	154	107	112	116	126	LPW
	WD		42386	43854	45197	45197	39210	39699	41410	41775	28949	30259	31331	34069	Lumens
			168	174	179	179	156	158	164	166	115	120	124	135	LPW
	WDFR		36599	37863	39026	39026	33857	34278	35755	36072	24995	26125	27052	29418	Lumens
			145	150	155	155	134	136	142	143	99	104	107	117	LPW

Nominal Lumens	Distribution	Input Watts †	70CRI				80CRI				90CRI				
			30K	35K	40K	50K	30K	35K	40K	50K	30K	35K	40K	50K	
HOLO1 CRN 45000LM	AD	256	43936	45454	46847	46847	40643	41149	42922	43302	30005	31364	32475	35315	Lumens
			172	178	183	183	159	161	168	169	117	123	127	138	LPW
	MD		46606	48218	49698	49698	43116	43654	45532	45935	31830	33269	34450	37463	Lumens
			182	188	194	194	168	171	178	179	124	130	135	146	LPW
	MDFR		38778	40118	41346	41346	35871	36318	37885	38220	26482	27682	28662	31168	Lumens
			151	157	162	162	140	142	148	149	103	108	112	122	LPW
	ND		44524	46063	47476	47476	41187	41699	43498	43883	30406	31785	32910	35788	Lumens
			174	180	185	185	161	163	170	171	119	124	129	140	LPW
	NDFR		43505	45010	46390	46390	40245	40746	42503	42879	29712	31057	32156	34969	Lumens
			170	176	181	181	157	159	166	167	116	121	126	137	LPW
	WD		46813	48432	49915	49915	43307	43847	45735	46139	31971	33417	34600	37628	Lumens
			183	189	195	195	169	171	179	180	125	131	135	147	LPW
	WDFR		40421	41818	43098	43098	37391	37857	39490	39839	27604	28855	29876	32489	Lumens
			158	163	168	168	146	148	154	156	108	113	117	127	LPW

Notes: †	
Input Watts	120VAC.
Operating Characteristics	Absolute photometry calculated in accordance with IESNA LM-79-08 @ 25°C.

**OPERATING CHARACTERISTICS**

Nominal Lumens	Distribution	Input Watts †	70CRI				80CRI				90CRI				
			30K	35K	40K	50K	30K	35K	40K	50K	30K	35K	40K	50K	
HOLO1 CRN 50000LM	AD	285	49180	50880	52439	52439	45495	46062	48047	48471	33587	35108	36351	39530	Lumens
			173	179	184	184	160	162	169	170	118	123	128	139	LPW
	MD		52171	53975	55628	55628	48263	48865	50969	51420	35629	37242	38563	41936	Lumens
			183	189	195	195	169	171	179	180	125	131	135	147	LPW
	MDFR		43407	44907	46283	46283	40153	40654	42407	42782	29645	30986	32085	34890	Lumens
			152	158	162	162	141	143	149	150	104	109	113	122	LPW
	ND		49838	51562	53143	53143	46104	46678	48691	49121	34037	35577	36839	40060	Lumens
			175	181	186	186	162	164	171	172	119	125	129	141	LPW
	NDFR		48699	50383	51927	51927	45050	45612	47576	47997	33258	34764	35996	39144	Lumens
			171	177	182	182	158	160	167	168	117	122	126	137	LPW
	WD		52403	54214	55875	55875	48475	49079	51196	51648	35789	37407	38732	42119	Lumens
			184	190	196	196	170	172	180	181	126	131	136	148	LPW
	WDFR		45246	46809	48244	48244	41855	42376	44203	44594	30901	32299	33444	36368	Lumens
			159	164	169	169	147	149	155	156	108	113	117	128	LPW

Nominal Lumens	Distribution	Input Watts †	70CRI				80CRI				90CRI				
			30K	35K	40K	50K	30K	35K	40K	50K	30K	35K	40K	50K	
HOLO1 CRN 60000LM	AD	367	59810	61877	63774	63774	55327	56018	58431	58948	40846	42696	44209	48075	Lumens
			163	169	174	174	151	153	159	161	111	116	120	131	LPW
	MD		63449	65642	67652	67652	58694	59424	61984	62532	43332	45292	46896	50997	Lumens
			173	179	184	184	160	162	169	170	118	123	128	139	LPW
	MDFR		52788	54614	56286	56286	48833	49442	51570	52028	36050	37684	39019	42432	Lumens
			144	149	153	153	133	135	141	142	98	103	106	116	LPW
	ND		60611	62707	64629	64629	56070	56768	59214	59738	41393	43269	44801	48718	Lumens
			165	171	176	176	153	155	161	163	113	118	122	133	LPW
	NDFR		59224	61272	63152	63152	54787	55469	57859	58372	40446	42279	43775	47604	Lumens
			161	167	172	172	149	151	158	159	110	115	119	130	LPW
	WD		63727	65929	67953	67953	58954	59689	62259	62808	43524	45493	47105	51225	Lumens
			174	180	185	185	161	163	170	171	119	124	128	140	LPW
	WDFR		55025	56928	58671	58671	50901	51537	53756	54232	37578	39281	40672	44229	Lumens
			150	155	160	160	139	140	146	148	102	107	111	121	LPW

Notes: †	
Input Watts	120VAC.
Operating Characteristics	Absolute photometry calculated in accordance with IESNA LM-79-08 @ 25°C.

**OPERATING CHARACTERISTICS**

Nominal Lumens	Distribution	Input Watts †	70CRI				80CRI				90CRI				
			30K	35K	40K	50K	30K	35K	40K	50K	30K	35K	40K	50K	
<b>HOLO2 CRN 35000LM</b>	<b>AD</b>	<b>202</b>	34352	35540	36629	36629	31778	32174	33560	33857	23776	24852	25733	27983	Lumens
			170	176	181	181	157	159	166	167	118	123	127	138	LPW
	<b>ADFR</b>		29582	30605	31542	31542	27364	27707	28900	29155	20474	21401	22159	24097	Lumens
			146	151	156	156	135	137	143	144	101	106	110	119	LPW
	<b>MD</b>		36480	37742	38900	38900	33748	34168	35640	35955	25248	26391	27328	29717	Lumens
			180	187	192	192	167	169	176	178	125	131	135	147	LPW
	<b>MDFR</b>		31046	32119	33103	33103	28719	29078	30329	30598	21487	22460	23255	25290	Lumens
			154	159	164	164	142	144	150	151	106	111	115	125	LPW
	<b>ND</b>		34581	35777	36873	36873	31991	32389	33784	34082	23935	25018	25904	28170	Lumens
			171	177	182	182	158	160	167	169	118	124	128	139	LPW
	<b>NDFR</b>		31583	32675	33676	33676	29219	29581	30855	31128	21859	22849	23658	25727	Lumens
			156	162	167	167	145	146	153	154	108	113	117	127	LPW
	<b>WD</b>		36048	37292	38435	38435	33346	33762	35215	35525	24949	26078	27002	29362	Lumens
			178	184	190	190	165	167	174	176	123	129	134	145	LPW
	<b>WDFR</b>		32284	33401	34424	34424	29864	30238	31539	31819	22344	23356	24183	26298	Lumens
			160	165	170	170	148	150	156	157	111	116	120	130	LPW

Nominal Lumens	Distribution	Input Watts †	70CRI				80CRI				90CRI				
			30K	35K	40K	50K	30K	35K	40K	50K	30K	35K	40K	50K	
<b>HOLO2 CRN 40000LM</b>	<b>AD</b>	<b>238</b>	39714	41087	42346	42346	36739	37196	38798	39142	27487	28731	29749	32351	Lumens
			167	173	178	178	154	156	163	164	115	121	125	136	LPW
	<b>ADFR</b>		34199	35382	36466	36466	31637	32031	33410	33706	23670	24741	25618	27859	Lumens
			144	149	153	153	133	135	140	142	99	104	108	117	LPW
	<b>MD</b>		42176	43634	44971	44971	39015	39501	41203	41568	29191	30511	31592	34356	Lumens
			177	183	189	189	164	166	173	175	123	128	133	144	LPW
	<b>MDFR</b>		35891	37132	38271	38271	33202	33616	35064	35374	24841	25965	26886	29237	Lumens
			151	156	161	161	140	141	147	149	104	109	113	123	LPW
	<b>ND</b>		39979	41361	42628	42628	36983	37444	39058	39404	27670	28923	29948	32566	Lumens
			168	174	179	179	155	157	164	166	116	122	126	137	LPW
	<b>NDFR</b>		36513	37776	38933	38933	33777	34198	35671	35986	25271	26415	27351	29743	Lumens
			153	159	164	164	142	144	150	151	106	111	115	125	LPW
	<b>WD</b>		41674	43115	44436	44436	38551	39031	40712	41073	28842	30149	31216	33947	Lumens
			175	181	187	187	162	164	171	173	121	127	131	143	LPW
	<b>WDFR</b>		37323	38614	39797	39797	34527	34957	36463	36785	25832	27001	27958	30403	Lumens
			157	162	167	167	145	147	153	155	109	113	117	128	LPW

Notes: †	
Input Watts	120VAC.
Operating Characteristics	Absolute photometry calculated in accordance with IESNA LM-79-08 @ 25°C.

**OPERATING CHARACTERISTICS**

Nominal Lumens	Distribution	Input Watts †	70CRI				80CRI				90CRI				
			30K	35K	40K	50K	30K	35K	40K	50K	30K	35K	40K	50K	
HOLO2 CRN 45000LM	AD	269	44648	46192	47608	47608	41303	41818	43619	44005	30902	32300	33445	36370	Lumens
			166	171	177	177	153	155	162	163	115	120	124	135	LPW
	ADFR		38448	39778	40997	40997	35567	36011	37561	37894	26610	27816	28801	31320	Lumens
			143	148	152	152	132	134	139	141	99	103	107	116	LPW
	MD		47415	49054	50559	50559	43863	44409	46322	46732	32818	34303	35517	38625	Lumens
			176	182	188	188	163	165	172	173	122	127	132	143	LPW
	MDFR		40351	41746	43025	43025	37327	37793	39421	39770	27928	29192	30226	32869	Lumens
			150	155	160	160	139	140	146	148	104	108	112	122	LPW
	ND		44946	46501	47927	47927	41579	42098	43911	44299	31108	32516	33669	36613	Lumens
			167	173	178	178	154	156	163	164	115	121	125	136	LPW
	NDFR		41049	42469	43770	43770	37973	38447	40103	40458	28411	29697	30749	33438	Lumens
			152	158	162	162	141	143	149	150	105	110	114	124	LPW
	WD		46851	48471	49957	49957	43341	43880	45770	46174	32426	33894	35095	38163	Lumens
			174	180	185	185	161	163	170	171	120	126	130	142	LPW
	WDFR		41960	43411	44741	44741	38816	39300	40993	41355	29042	30357	31431	34180	Lumens
			156	161	166	166	144	146	152	153	108	113	117	127	LPW

Nominal Lumens	Distribution	Input Watts †	70CRI				80CRI				90CRI				
			30K	35K	40K	50K	30K	35K	40K	50K	30K	35K	40K	50K	
HOLO2 CRN 50000LM	AD	285	49791	51514	53092	53092	46061	46635	48643	49074	34462	36021	37298	40560	Lumens
			175	181	186	186	162	164	171	172	121	126	131	142	LPW
	ADFR		42877	44360	45719	45719	39664	40159	41889	42260	29676	31019	32119	34927	Lumens
			150	156	160	160	139	141	147	148	104	109	113	123	LPW
	MD		52877	54706	56382	56382	48915	49526	51658	52115	36597	38253	39610	43073	Lumens
			186	192	198	198	172	174	181	183	128	134	139	151	LPW
	MDFR		44999	46555	47981	47981	41628	42146	43961	44350	31145	32554	33708	36656	Lumens
			158	163	168	168	146	148	154	156	109	114	118	129	LPW
	ND		50123	51857	53446	53446	46368	46946	48969	49401	34691	36263	37547	40831	Lumens
			176	182	188	188	163	165	172	173	122	127	132	143	LPW
	NDFR		45778	47361	48812	48812	42348	42875	44722	45118	31684	33118	34291	37290	Lumens
			161	166	171	171	149	150	157	158	111	116	120	131	LPW
	WD		52248	54055	55711	55711	48332	48935	51043	51494	36162	37797	39138	42559	Lumens
			183	190	195	195	170	172	179	181	127	133	137	149	LPW
	WDFR		46794	48412	49896	49896	43288	43827	45715	46120	32387	33853	35053	38118	Lumens
			164	170	175	175	152	154	160	162	114	119	123	134	LPW

Notes: †	
Input Watts	120VAC.
Operating Characteristics	Absolute photometry calculated in accordance with IESNA LM-79-08 @ 25°C.

**OPERATING CHARACTERISTICS**

Nominal Lumens	Distribution	Input Watts †	70CRI				80CRI				90CRI				
			30K	35K	40K	50K	30K	35K	40K	50K	30K	35K	40K	50K	
HOLO2 CRN 60000LM	AD	353	60914	63021	64952	64952	56350	57052	59510	60037	42160	44068	45630	49620	Lumens
			173	179	184	184	160	162	169	170	120	125	129	141	LPW
	ADFR		52455	54270	55932	55932	48525	49130	51246	51699	36305	37948	39293	42730	Lumens
			149	154	159	159	138	139	145	147	103	108	111	121	LPW
	MD		64690	66926	68976	68976	59842	60588	63199	63758	44772	46799	48457	52695	Lumens
			183	190	196	196	170	172	179	181	127	133	137	149	LPW
	MDFR		55050	56956	58699	58699	50926	51561	53782	54257	38102	39827	41238	44844	Lumens
			156	161	166	166	144	146	152	154	108	113	117	127	LPW
	ND		61321	63441	65387	65387	56726	57434	59908	60437	42442	44362	45934	49952	Lumens
			174	180	185	185	161	163	170	171	120	126	130	142	LPW
	NDFR		56003	57941	59716	59716	51808	52453	54713	55197	38761	40516	41951	45620	Lumens
			159	164	169	169	147	149	155	156	110	115	119	129	LPW
	WD		63919	66129	68156	68156	59129	59866	62445	62999	44238	46243	47881	52068	Lumens
			181	187	193	193	168	170	177	179	125	131	136	148	LPW
	WDFR		57246	59227	61040	61040	52958	53618	55928	56422	39622	41415	42883	46633	Lumens
			162	168	173	173	150	152	159	160	112	117	122	132	LPW

Nominal Lumens	Distribution	Input Watts †	70CRI				80CRI				90CRI				
			30K	35K	40K	50K	30K	35K	40K	50K	30K	35K	40K	50K	
HOLO2 CRN 70000LM	AD	411	68447	70814	72984	72984	63319	64108	66870	67461	47374	49518	51273	55757	Lumens
			167	172	178	178	154	156	163	164	115	121	125	136	LPW
	ADFR		58943	60981	62849	62849	54526	55206	57583	58093	40795	42642	44153	48014	Lumens
			144	148	153	153	133	134	140	141	99	104	108	117	LPW
	MD		72690	75203	77507	77507	67242	68080	71014	71643	50310	52587	54450	59212	Lumens
			177	183	189	189	164	166	173	174	123	128	133	144	LPW
	MDFR		61860	63999	65959	65959	57225	57937	60434	60969	42814	44752	46338	50390	Lumens
			151	156	161	161	139	141	147	148	104	109	113	123	LPW
	ND		68905	71288	73472	73472	63741	64536	67315	67911	47691	49849	51615	56130	Lumens
			168	174	179	179	155	157	164	165	116	121	126	137	LPW
	NDFR		62930	65107	67102	67102	58215	58940	61479	62023	43555	45526	47140	51262	Lumens
			153	159	163	163	142	144	150	151	106	111	115	125	LPW
	WD		71824	74308	76585	76585	66442	67269	70169	70789	49709	51962	53803	58507	Lumens
			175	181	186	186	162	164	171	172	121	127	131	142	LPW
	WDFR		64327	66551	68591	68591	59508	60248	62845	63400	44522	46537	48186	52400	Lumens
			157	162	167	167	145	147	153	154	108	113	117	128	LPW

Notes: †	
Input Watts	120VAC.
Operating Characteristics	Absolute photometry calculated in accordance with IESNA LM-79-08 @ 25°C.

**OPERATING CHARACTERISTICS**

Nominal Lumens	Distribution	Input Watts †	70CRI				80CRI				90CRI				
			30K	35K	40K	50K	30K	35K	40K	50K	30K	35K	40K	50K	
HOLO2 CRN 80000LM	AD	477	77538	80219	82677	82677	71728	72622	75750	76421	53665	56095	58082	63162	Lumens
			163	168	173	173	150	152	159	160	113	118	122	132	LPW
	ADFR		66771	69080	71196	71196	61767	62537	65231	65808	46213	48304	50017	54391	Lumens
			140	145	149	149	129	131	137	138	97	101	105	114	LPW
	MD		82343	85191	87800	87800	76173	77122	80444	81157	56990	59570	61682	67075	Lumens
			173	179	184	184	160	162	169	170	119	125	129	141	LPW
	MDFR		70074	72498	74719	74719	64824	65632	68459	69065	48499	50695	52492	57083	Lumens
			147	152	157	157	136	138	144	145	102	106	110	120	LPW
	ND		78056	80754	83229	83229	72206	73107	76256	76932	54024	56470	58470	63583	Lumens
			164	169	174	174	151	153	160	161	113	118	123	133	LPW
	NDFR		71288	73753	76013	76013	65946	66768	69644	70260	49339	51573	53400	58071	Lumens
			149	155	159	159	138	140	146	147	103	108	112	122	LPW
	WD		81363	84177	86755	86755	75267	76205	79486	80190	56312	58861	60947	66276	Lumens
			171	176	182	182	158	160	167	168	118	123	128	139	LPW
	WDFR		72870	75390	77700	77700	67410	68250	71190	71820	50435	52717	54585	59360	Lumens
			153	158	163	163	141	143	149	151	106	111	114	124	LPW

Nominal Lumens	Distribution	Input Watts †	70CRI				80CRI				90CRI				
			30K	35K	40K	50K	30K	35K	40K	50K	30K	35K	40K	50K	
HOLO2 CRN 90000LM	AD	555	88476	91535	94340	94340	81846	82866	86436	87201	61235	64008	66276	72071	Lumens
			159	165	170	170	147	149	156	157	110	115	119	130	LPW
	ADFR		76189	78824	81239	81239	70480	71358	74433	75091	52732	55119	57071	62063	Lumens
			137	142	146	146	127	129	134	135	95	99	103	112	LPW
	MD		93959	97208	100186	100186	86919	88002	91792	92604	65031	67972	70383	76538	Lumens
			169	175	181	181	157	159	165	167	117	122	127	138	LPW
	MDFR		79960	82725	85260	85260	73969	74890	78116	78807	55341	57846	59896	65134	Lumens
			144	149	154	154	133	135	141	142	100	104	108	117	LPW
	ND		89066	92147	94970	94970	82393	83420	87014	87784	61644	64435	66718	72553	Lumens
			161	166	171	171	148	150	157	158	111	116	120	131	LPW
	NDFR		81344	84157	86736	86736	75249	76186	79468	80172	56298	58847	60933	66261	Lumens
			147	152	156	156	136	137	143	144	101	106	110	119	LPW
	WD		92840	96052	98993	98993	85884	86955	90700	91503	64256	67164	69546	75628	Lumens
			167	173	178	178	155	157	163	165	116	121	125	136	LPW
	WDFR		83149	86025	88661	88661	76919	77877	81232	81951	57548	60154	62286	67733	Lumens
			150	155	160	160	139	140	146	148	104	108	112	122	LPW

Notes: †	
Input Watts	120VAC.
Operating Characteristics	Absolute photometry calculated in accordance with IESNA LM-79-08 @ 25°C.

**OPERATING CHARACTERISTICS**

Nominal Lumens	Distribution	Input Watts †	70CRI				80CRI				90CRI				
			30K	35K	40K	50K	30K	35K	40K	50K	30K	35K	40K	50K	
<b>HOLO2 CRN 10000LM</b>	<b>AD</b>	<b>641</b>	100520	103997	107183	107183	92988	94147	98203	99072	69572	72721	75298	81883	Lumens
			157	162	167	167	145	147	153	155	109	113	117	128	LPW
	<b>ADFR</b>		86561	89555	92299	92299	80075	81073	84566	85314	59910	62622	64841	70512	Lumens
			135	140	144	144	125	126	132	133	93	98	101	110	LPW
	<b>MD</b>		106751	110442	113825	113825	98751	99982	104289	105212	73884	77227	79964	86957	Lumens
			167	172	178	178	154	156	163	164	115	120	125	136	LPW
	<b>MDFR</b>		90845	93987	96866	96866	84038	85086	88751	89536	62875	65722	68051	74002	Lumens
			142	147	151	151	131	133	138	140	98	103	106	115	LPW
	<b>ND</b>		101191	104690	107898	107898	93610	94776	98859	99735	70037	73207	75801	82429	Lumens
			158	163	168	168	146	148	154	156	109	114	118	129	LPW
	<b>NDFR</b>		92417	95614	98543	98543	85493	86559	90287	91086	63964	66859	69228	75282	Lumens
			144	149	154	154	133	135	141	142	100	104	108	117	LPW
	<b>WD</b>		105478	109126	112470	112470	97575	98791	103047	103960	73002	76309	79012	85922	Lumens
			165	170	175	175	152	154	161	162	114	119	123	134	LPW
	<b>WDFR</b>		94469	97736	100731	100731	87390	88480	92291	93108	65383	68343	70765	76954	Lumens
			147	152	157	157	136	138	144	145	102	107	110	120	LPW

**Notes: †**

Input Watts	120VAC.
Operating Characteristics	Absolute photometry calculated in accordance with IESNA LM-79-08 @ 25°C.

**UPLIGHT OPERATING CHARACTERISTICS**

Configuration	Lumen Package	70CRI				80CRI				90CRI			
		30K	35K	40K	50K	30K	35K	40K	50K	30K	35K	40K	50K
<b>HOL01 CRN - Small Optical, Large Electrical (3 bars)</b>	<b>12000LM</b>	1906	1972	2033	2033	1764	1786	1863	1879	1302	1361	1409	1532
	<b>15000LM</b>	2287	2366	2439	2439	2116	2142	2234	2254	1562	1633	1690	1838
	<b>18000LM</b>	2847	2945	3036	3036	2634	2667	2781	2806	1944	2032	2104	2288
	<b>24000LM</b>	3750	3880	3999	3999	3469	3512	3664	3696	2561	2677	2772	3014
	<b>30000LM</b>	4618	4777	4924	4924	4272	4325	4511	4551	3153	3296	3413	3712
	<b>35000LM</b>	5354	5539	5709	5709	4953	5015	5231	5277	3657	3822	3958	4304
	<b>40000LM</b>	6146	6358	6553	6553	5685	5756	6004	6057	4197	4387	4542	4940
	<b>45000LM</b>	6918	7157	7376	7376	6399	6479	6758	6818	4724	4938	5113	5560
	<b>50000LM</b>	7421	7678	7913	7913	6865	6950	7250	7314	5068	5297	5485	5965
<b>60000LM</b>	7421	7678	7913	7913	6865	6950	7250	7314	5068	5297	5485	5965	

Configuration	Lumen Package	70CRI				80CRI				90CRI			
		30K	35K	40K	50K	30K	35K	40K	50K	30K	35K	40K	50K
<b>HOL02 CRN- Large optical, Large Electrical (3 bars)</b>	<b>35000LM</b>	5354	5539	5709	5709	4953	5015	5231	5277	3657	3822	3958	4304
	<b>40000LM</b>	6146	6358	6553	6553	5685	5756	6004	6057	4197	4387	4542	4940
	<b>45000LM</b>	6918	7157	7376	7376	6399	6479	6758	6818	4724	4938	5113	5560
	<b>50000LM</b>	7421	7678	7913	7913	6865	6950	7250	7314	5068	5297	5485	5965
	<b>60000LM</b>	7421	7678	7913	7913	6865	6950	7250	7314	5068	5297	5485	5965

**LUMEN AMBIENT TEMPERATURE (LAT) MULTIPLIERS**

HOLO2 CRN (LARGE OPTICAL, LARGE ELECTRICAL)

Ambient °C	35000LM	40000LM	45000LM	50000LM	60000LM	70000LM	80000LM	90000LM	100000LM
-40	1.06	1.06	1.07	1.07	1.07	1.08	1.09	1.10	1.10
-35	1.06	1.06	1.06	1.06	1.07	1.08	1.08	1.09	1.10
-30	1.05	1.06	1.06	1.06	1.07	1.07	1.08	1.08	1.09
-25	1.05	1.05	1.06	1.06	1.06	1.07	1.07	1.08	1.08
-20	1.05	1.05	1.05	1.05	1.06	1.06	1.07	1.07	1.08
-15	1.04	1.05	1.05	1.05	1.05	1.06	1.06	1.06	1.07
-10	1.04	1.04	1.04	1.04	1.05	1.05	1.05	1.06	1.06
-5	1.03	1.04	1.04	1.04	1.04	1.04	1.05	1.05	1.05
0	1.03	1.03	1.03	1.03	1.03	1.04	1.04	1.04	1.05
5	1.02	1.02	1.03	1.03	1.03	1.03	1.03	1.03	1.04
10	1.02	1.02	1.02	1.02	1.02	1.02	1.02	1.03	1.03
15	1.01	1.01	1.01	1.01	1.01	1.02	1.02	1.02	1.02
20	1.01	1.01	1.01	1.01	1.01	1.01	1.01	1.01	1.01
25	1.00	1.00	1.00	1.00	1.00	1.00	1.00	1.00	1.00
30	0.99	0.99	0.99	0.99	0.99	0.99	0.99	0.99	0.99
35	0.99	0.99	0.99	0.99	0.98	0.98	0.98	0.98	0.98
40	0.98	0.98	0.98	0.98	0.98	0.97	0.97	0.97	0.97
45	0.97	0.97	0.97	0.97	0.97	0.97	0.96	0.96	0.96
50	0.96	0.96	0.96	0.96	0.96	0.96	0.95	0.95	0.95
55	0.96	0.95	0.95	0.95	0.95	0.95	0.94	0.94	NA
60	0.95	0.95	0.94	0.94	0.94	0.94	NA	NA	NA
65	0.94	0.94	0.93	0.93	0.93	0.93	NA	NA	NA
70	0.93	0.93	0.93	NA	NA	NA	NA	NA	NA



**LUMEN AMBIENT TEMPERATURE (LAT) MULTIPLIERS**

HOLO1 CRN (SMALL OPTICAL, LARGE ELECTRICAL)

Ambient °C	12000LM	15000LM	18000LM	24000LM	30000LM	35000LM	40000LM	45000LM	50000LM	60000LM
-40	1.05	1.06	1.06	1.06	1.07	1.07	1.08	1.07	1.07	1.08
-35	1.05	1.05	1.06	1.06	1.07	1.07	1.07	1.06	1.07	1.08
-30	1.05	1.05	1.05	1.06	1.06	1.06	1.07	1.06	1.06	1.07
-25	1.05	1.05	1.05	1.05	1.06	1.06	1.06	1.06	1.06	1.07
-20	1.04	1.04	1.05	1.05	1.05	1.05	1.06	1.05	1.05	1.06
-15	1.04	1.04	1.04	1.04	1.05	1.05	1.05	1.05	1.05	1.05
-10	1.04	1.04	1.04	1.04	1.04	1.04	1.05	1.04	1.04	1.05
-5	1.03	1.03	1.03	1.04	1.04	1.04	1.04	1.04	1.04	1.04
0	1.03	1.03	1.03	1.03	1.03	1.03	1.03	1.03	1.03	1.04
5	1.02	1.02	1.02	1.02	1.03	1.03	1.03	1.03	1.03	1.03
10	1.02	1.02	1.02	1.02	1.02	1.02	1.02	1.02	1.02	1.02
15	1.01	1.01	1.01	1.01	1.01	1.01	1.01	1.01	1.01	1.02
20	1.01	1.01	1.01	1.01	1.01	1.01	1.01	1.01	1.01	1.01
25	1.00	1.00	1.00	1.00	1.00	1.00	1.00	1.00	1.00	1.00
30	0.99	0.99	0.99	0.99	0.99	0.99	0.99	0.99	0.99	0.99
35	0.99	0.99	0.99	0.99	0.98	0.98	0.98	0.99	0.98	0.98
40	0.98	0.98	0.98	0.98	0.98	0.98	0.98	0.98	0.98	0.97
45	0.97	0.97	0.97	0.97	0.97	0.97	0.97	0.97	0.97	0.97
50	0.97	0.97	0.96	0.96	0.96	0.96	0.96	0.96	0.96	0.96
55	0.96	0.96	0.96	0.95	0.95	0.95	0.95	0.95	0.95	0.95
60	0.95	0.95	0.95	0.95	0.94	0.94	0.94	0.94	0.94	0.94
65	0.94	0.94	0.94	0.94	0.93	0.93	0.93	0.93	0.93	0.93
70	0.93	0.93	0.93	0.93	0.92	0.92	0.92	0.93	NA	NA
75	0.93	0.92	0.92	NA	NA	NA	NA	NA	NA	NA
80	0.92	0.91	0.91	NA	NA	NA	NA	NA	NA	NA

**REMOTE ENCLOSURE MAXIMUM WIRING DISTANCE**

AWG Wire Size (solid)	Resistance per Foot (Ohms)														
	10'	20'	30'	40'	50'	60'	70'	80'	90'	100'	110'	120'	130'	140'	150'
18	0.06	0.13	0.19	0.26	0.32	0.38	0.45	NA	NA	NA	NA	NA	NA	NA	NA
16	0.04	0.08	0.12	0.16	0.2	0.24	0.18	0.32	0.36	0.4	0.44	0.48	NA	NA	NA
14	0.03	0.05	0.08	0.1	0.13	0.15	0.18	0.2	0.23	0.25	0.28	0.3	0.33	0.35	0.38

**IMAGES**

**HOLO1 CRN Bottom**  
(Small Optical, Large Electrical)



**HOLO1 CRN Top**  
(Small Optical, Large Electrical)



**HOLO1 CRN Side**  
(Small Optical, Large Electrical)



**HOLO2 CRN Bottom**  
(Large Optical, Large Electrical)



**HOLO2 CRN Top**  
(Large Optical, Large Electrical)



**HOLO2 CRN Side**  
(Large Optical, Large Electrical)



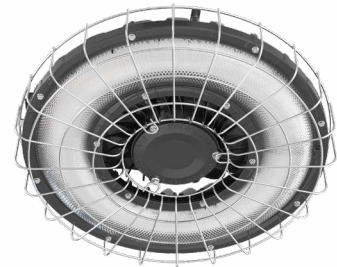
**nLight Air Embedded Sensor**  
(NLTAIR2 APIR)



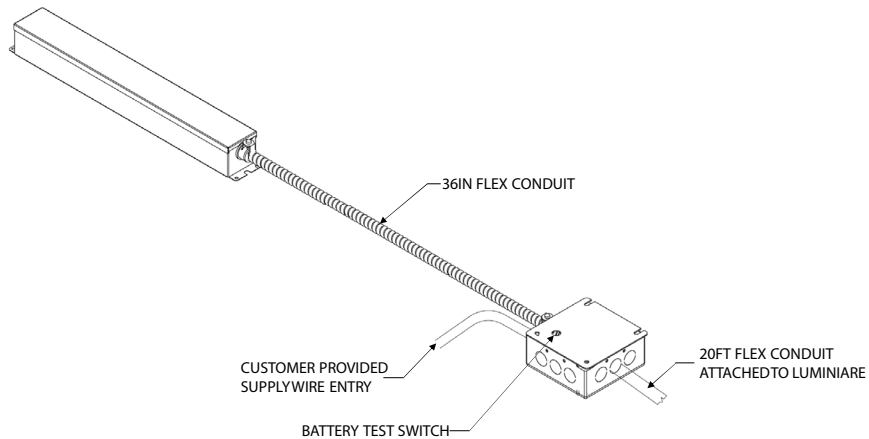
**Sensor Switch Embedded Sensor**  
(SBG, SBG BTP)



**Wireguard**  
(WGX, HOLO1WG, HOLO2WG)



**IE20WCPHER or IE30WCPHER Remote Batteries**



**EMBEDDED LUMINAIRE TECHNOLOGY GUIDE**

Control Type	Sensor Nomenclature	Sensor Used	Out Of The Box Settings					Notes
			Unoccupied Time Until Dim	Dim to Off Time Delay	Occupied Dim Level	Unoccupied Dim Level	Daylighting Set Point	
Sensor Switch Embedded Controls	SBG10	<a href="#">SBG 10 EZ WH 0V</a>	5M	n/a	100%	0V	n/a	360° Low mount standalone embedded sensor (8-15ft), on/off occupancy
	SBG10 D 3V	<a href="#">SBG 10 EZ WH 3V</a>	5M	n/a	100%	30%	n/a	360° Low mount standalone embedded sensor (8-15ft), occupancy controlled high/low dimming, 30% min dim level
	SBG10 P	<a href="#">SBG 10 EZ P WH 0V 10M</a>	10M	n/a	100%	0V	5FC	360° Low mount standalone embedded sensor (8-15ft), on/off photocell
	SBG6	<a href="#">SBG 6 EZ WH 0V</a>	5M	n/a	100%	0V	n/a	360° High mount standalone embedded sensor (15-30ft), on/off occupancy
	SBG6 D 3V	<a href="#">SBG 6 EZ WH 3V</a>	5M	n/a	100%	30%	n/a	360° High mount standalone embedded sensor (15-30ft), occupancy controlled high/low dimming, 30% min dim level
	SBG6 P	<a href="#">SBG 6 EZ P WH 0V 10M</a>	10M	n/a	100%	0V	5FC	360° High mount standalone embedded sensor (15-30ft), on/off photocell
Sensor Switch Embedded Controls	SBG10 ER	<a href="#">SBG 10 EZ WH 0V</a>	5M	n/a	100%	0V	n/a	360° Low mount standalone embedded sensor (8-15ft), on/off occupancy, UL924 emergency operation, includes IOTA ETS DR, 5 conductor power input
	SBG10 D 3V ER	<a href="#">SBG 10 EZ WH 3V</a>	5M	n/a	100%	30%	n/a	360° Low mount standalone embedded sensor (8-15ft), occupancy controlled high/low dimming, 30% min dim level, UL924 emergency operation, includes IOTA ETS DR, 5 conductor power input
	SBG10 P ER	<a href="#">SBG 10 EZ P WH 0V 10M</a>	10M	n/a	100%	0V	5FC	360° Low mount standalone embedded sensor (8-15ft), on/off photocell, UL924 emergency operation, includes IOTA ETS DR, 5 conductor power input
	SBG6 ER	<a href="#">SBG 6 EZ WH 0V</a>	5M	n/a	100%	0V	n/a	360° High mount standalone embedded sensor (15-30ft), on/off occupancy, UL924 emergency operation, includes IOTA ETS DR, 5 conductor power input
	SBG6 D 3V ER	<a href="#">SBG 6 EZ WH 3V</a>	5M	n/a	100%	30%	n/a	360° High mount standalone embedded sensor (15-30ft), occupancy controlled high/low dimming, 30% min dim level, UL924 emergency operation, includes IOTA ETS DR, 5 conductor power input
	SBG6 P ER	<a href="#">SBG 6 EZ P WH 0V 10M</a>	10M	n/a	100%	0V	5FC	360° High mount standalone embedded sensor (15-30ft), on/off photocell, UL924 emergency operation, includes IOTA ETS DR, 5 conductor power input
Bluetooth® Embedded Controls	SBG10 OCC BTP	<a href="#">SBG10 BTP OCC</a>	10M	n/a	10V	n/a	n/a	360° Low mount Bluetooth embedded sensor (7-15ft), on/off occupancy
	SBG10 HL BTP	<a href="#">SBG10 BTP HL</a>	10M	2.5M	10V	10%	n/a	360° Low mount Bluetooth embedded sensor (7-15ft), high/low/(off) occupancy dimming
	SBG10 ADC BTP	<a href="#">SBG10 BTP ADC</a>	10M	2.5M	10V	10%	50FC	360° Low mount Bluetooth embedded sensor (7-15ft), on/off occupancy with auto dimming photocell
	SBG10 ANL BTP	<a href="#">SBG10 BTP ANL</a>	10M	n/a	10V	10%	50FC	360° Low mount Bluetooth embedded sensor (7-15ft), high/low/(off) occupancy dimming with auto dimming photocell
	SBG6 OCC BTP	<a href="#">SBG6 BTP OCC</a>	10M	n/a	10V	n/a	n/a	360° High mount Bluetooth embedded sensor (15-45ft), on/off occupancy
	SBG6 HL BTP	<a href="#">SBG6 BTP HL</a>	10M	2.5M	10V	10%	n/a	360° High mount Bluetooth embedded sensor (15-45ft), high/low/(off) occupancy dimming
	SBG6 ADC BTP	<a href="#">SBG6 BTP ADC</a>	10M	2.5M	10V	10%	50FC	360° High mount Bluetooth embedded sensor (15-45ft), on/off occupancy with auto dimming photocell
	SBG6 ANL BTP	<a href="#">SBG6 BTP ANL</a>	10M	n/a	10V	10%	50FC	360° High mount Bluetooth embedded sensor (15-45ft), high/low/(off) occupancy dimming with auto dimming photocell
Bluetooth® Embedded Controls	SBG10 OCC BTP ER	<a href="#">SBG10 BTP OCC</a>	10M	n/a	10V	n/a	n/a	360° Low mount Bluetooth embedded sensor (7-15ft), on/off occupancy, UL924 emergency operation, includes IOTA ETS DR, 5 conductor power input
	SBG10 HL BTP ER	<a href="#">SBG10 BTP HL</a>	10M	2.5M	10V	10%	n/a	360° Low mount Bluetooth embedded sensor (7-15ft), high/low/(off) occupancy dimming, UL924 emergency operation, includes IOTA ETS DR, 5 conductor power input
	SBG10 ADC BTP ER	<a href="#">SBG10 BTP ADC</a>	10M	2.5M	10V	10%	50FC	360° Low mount Bluetooth embedded sensor (7-15ft), on/off occupancy with auto dimming photocell, UL924 emergency operation, includes IOTA ETS DR, 5 conductor power input
	SBG10 ANL BTP ER	<a href="#">SBG10 BTP ANL</a>	10M	n/a	10V	10%	50FC	360° Low mount Bluetooth embedded sensor (7-15ft), high/low/(off) occupancy dimming with auto dimming photocell, UL924 emergency operation, includes IOTA ETS DR, 5 conductor power input
	SBG6 OCC BTP ER	<a href="#">SBG6 BTP OCC</a>	10M	n/a	10V	n/a	n/a	360° High mount Bluetooth embedded sensor (15-45ft), on/off occupancy, includes IOTA ETS DR, 5 conductor power input
	SBG6 HL BTP ER	<a href="#">SBG6 BTP HL</a>	10M	2.5M	10V	10%	n/a	360° High mount Bluetooth embedded sensor (15-45ft), high/low/(off) occupancy dimming, UL924 emergency operation, includes IOTA ETS DR, 5 conductor power input
	SBG6 ADC BTP ER	<a href="#">SBG6 BTP ADC</a>	10M	2.5M	10V	10%	50FC	360° High mount Bluetooth embedded sensor (15-45ft), on/off occupancy with auto dimming photocell, UL924 emergency operation, includes IOTA ETS DR, 5 conductor power input
	SBG6 ANL BTP ER	<a href="#">SBG6 BTP ANL</a>	10M	n/a	10V	10%	50FC	360° High mount Bluetooth embedded sensor (15-45ft), high/low/(off) occupancy dimming with auto dimming photocell, UL924 emergency operation, includes IOTA ETS DR, 5 conductor power input

**EMBEDDED LUMINAIRE TECHNOLOGY GUIDE (cont.)**

Control Type	Sensor Nomenclature	Sensor Used	Out Of The Box Settings					Notes
			Unoccupied Time Until Dim	Dim to Off Time Delay	Occupied Dim Level	Unoccupied Dim Level	Daylighting Set Point	
nLight Air Embedded Controls	NLTAIR2 APIR	<a href="#">RSBG 10 ZTS WH G2</a>	7.5M	2.5M	100%	10%	50FC	360° Low mount nLight air embedded sensor (8-15ft), combined daylight and occupancy dimming, fully programmable with Clarity+ Pro app
	NLTAIR2 APIRM	<a href="#">RSBG 6 ZTS WH G2</a>	7.5M	2.5M	100%	10%	50FC	360° High mount nLight air embedded sensor (15-30ft), combined daylight and occupancy dimming, fully programmable with Clarity+ Pro app
	NLTAIR2 APIRH	<a href="#">RSBG 40 ZTS WH G2</a>	7.5M	2.5M	100%	10%	50FC	360° High bay nLight air embedded sensor (40ft), combined daylight and occupancy dimming, fully programmable with Clarity+ Pro app
	NLTAIREM2 APIR	<a href="#">RSBG 10 ZT EM WH G2</a>	7.5M	2.5M	100%	10%	50FC	360° Low mount nLight air embedded sensor (8-15ft), combined daylight and occupancy dimming, fully programmable with Clarity+ Pro app, UL924 emergency operation, 3 conductor power input
	NLTAIREM2 APIRM	<a href="#">RSBG 6 ZT EM WH G2</a>	7.5M	2.5M	100%	10%	50FC	360° High mount nLight air embedded sensor (15-30ft), combined daylight and occupancy dimming, fully programmable with Clarity+ Pro app, UL924 emergency operation, 3 conductor power input
	NLTAIREM2 APIRH	<a href="#">RSBG 40 ZT EM WH G2</a>	7.5M	2.5M	100%	10%	50FC	360° High bay nLight air embedded sensor (40ft), combined daylight and occupancy dimming, fully programmable with Clarity+ Pro app, UL924 emergency operation, 3 conductor power input
	NLTAIRER2 APIR	<a href="#">RSBG 10 ZTS WH G2</a>	7.5M	2.5M	100%	10%	50FC	360° Low mount nLight air embedded sensor (8-15ft), combined daylight and occupancy dimming, fully programmable with Clarity+ Pro app, UL924 emergency operation, includes IOTA ETS DR, 5 conductor power input
	NLTAIRER2 APIRM	<a href="#">RSBG 40 ZTS WH G2</a>	7.5M	2.5M	100%	10%	50FC	360° High mount nLight air embedded sensor (15-30ft), combined daylight and occupancy dimming, fully programmable with Clarity+ Pro app, UL924 emergency operation, includes IOTA ETS DR, 5 conductor power input
	NLTAIRER2 APIRH	<a href="#">RSBG 40 ZTS WH G2</a>	7.5M	2.5M	100%	10%	50FC	360° High bay nLight air embedded sensor (40ft), combined daylight and occupancy dimming, fully programmable with Clarity+ Pro app, UL924 emergency operation, includes IOTA ETS DR, 5 conductor power input
	NLTAIR2	<a href="#">RIO ZTS EXTDB ACWH 180D G2</a>	n/a	n/a	80%	n/a	n/a	nLight air embedded network interface, fully programmable with Clarity+ Pro app
	NLTAIREM2	<a href="#">RIO ZT EM EXTDB ACWH 180D G2</a>	n/a	n/a	80%	n/a	n/a	nLight air embedded network interface, fully programmable with Clarity+ Pro app, UL924 emergency operation, 3 conductor power input
	NLTAIRER2	<a href="#">RIO ZTS EXTDB ACWH 180D G2</a>	n/a	n/a	80%	n/a	n/a	nLight air embedded network interface, fully programmable with Clarity+ Pro app, UL924 emergency operation, includes IOTA ETS DR, 5 conductor power input
nLight Wired Power Packs	NLIGHTKO	<a href="#">NPP16 D EFP</a>	n/a	n/a	10V	0V	n/a	nLight wired power pack
	NLIGHTERKO	<a href="#">NPP16 D ER EFP</a>	n/a	n/a	10V	0V	n/a	nLight wired power pack, UL924 emergency operation, 5 conductor power input
	NLIGHTKOX2	<a href="#">(2) NPP16 D EFP</a>	n/a	n/a	10V	0V	n/a	(2) nLight wired power packs for independent dimming control of uplight and downlight
	NLIGHTERKOX2	<a href="#">(2) NPP16 D ER EFP</a>	n/a	n/a	10V	0V	n/a	(2) nLight wired power packs for independent dimming control of uplight and downlight, UL924 emergency operation, 5 conductor power input
nLight Air Power Packs	NLTAIR2KO	<a href="#">RPP20 D EFP</a>	n/a	n/a	10V	0V	n/a	nLight air power pack
	NLTAIREM2KO	<a href="#">RPP20 D EM EFP</a>	n/a	n/a	10V	0V	n/a	nLight air power pack, UL924 Emergency Operation, via separate normal power sensing device, 3 conductor power input
	NLTAIRER2KO	<a href="#">RPP20 D ER EFP</a>	n/a	n/a	10V	0V	n/a	nLight air power pack, UL924 Emergency Operation, via power sense leads, 5 conductor power input
	NLTAIR2KOX2	<a href="#">(2) RPP20 D EFP</a>	n/a	n/a	10V	0V	n/a	(2) nLight air power packs for independent dimming control of uplight and downlight
	NLTAIREM2KOX2	<a href="#">(2) RPP20 D EM EFP</a>	n/a	n/a	10V	0V	n/a	(2) nLight air power packs for independent dimming control of uplight and downlight, UL924 Emergency Operation, via separate normal power sensing device, 3 conductor power input
	NLTAIRER2KOX2	<a href="#">(2) RPP20 D ER EFP</a>	n/a	n/a	10V	0V	n/a	(2) nLight air power packs for independent dimming control of uplight and downlight, UL924 Emergency Operation, via power sense leads, 5 conductor power input