

Catalog Number	
Notes	Type

HRLL Series

Hazardous Area Lighting Fixtures



Description

- Versatile, heavy-duty explosion-proof LED fixture designed for hazardous environments where flammable gases or vapors, flammable liquids, combustible dust and/or ignitable fibers may exist.

Optics

- Heat resistant, internally prismatic glass globe for optimal photometric performance.
- Electro-Polished stainless steel wire guard.
- Borosilicate glass lens.

Mechanical

- Driver housing, outlet boxes and lens retaining rings are high strength corrosion resistant copper free (less than 0.4%) aluminum.
- Utilizes one piece silicone gaskets with stainless steel hardware.
- External fins, internal fins and strategic location of driver and other components provide efficient heat dissipation for cooler operation and longer driver life.
- Exterior finish is baked-on powder epoxy for added corrosion protection.
- Available in five mounting styles: pendant, ceiling, 90° wall bracket, 25° stanchion mount and trunnion.
- Factory sealed – external seals not necessary

Electrical

- Wireless electromechanical connector block for quick, safe fixture removal and bench-top maintenance.
- Acme double lead threads are provided for quick & easy trouble-free maintenance.
- Standard color temperature – 5000 K CCT.
- 10 kV/10kA surge protection.
- 0-10V dimming driver is standard, dims to 10%.

Listings

- UL Listed to US and Canadian Standards
- Suitable for use in hazardous locations (UL844) Class I, Division 1, Groups C and D Class II, Division 1, Groups E, F and G Class III
- Zone Equivalency Marking (see chart on page 4)
- 4°F (-20°C) to 131°F (55°C) (see chart on page 4)
- Paint Spray Booth (to 40° C)
- NEMA 4X rated
- IP66 rated

Buy American Act

This product is assembled in the USA and meets the Buy American(n) government procurement requirements under FAR, DFARS and DOT regulations. Please refer to www.acuitybrands.com/buy-american for additional information.

Warranty

5-year limited warranty. This is the only warranty provided and no other statements in this specification sheet create any warranty of any kind. All other express and implied warranties are disclaimed. Complete warranty terms located at: www.acuitybrands.com/support/warranty/terms-and-conditions

Note: Actual performance may differ as a result of end-user environment and application.

All values are design or typical values, measured under laboratory conditions at 25 °C.

Specifications subject to change without notice.

Typical Applications

- Paint Spray Booth
- Coal & Dust Storage
- Petroleum Refineries
- Ethanol Facilities
- Chemical Plants
- Waste Water & Water Treatment Plants
- Power Generation Plants

Dimensions: Inches (millimeters) unless otherwise noted.

See individual fixture dimensions and weight specifications on page 2.

ORDERING INFORMATION

Example: HRLL 8L GG AS 50K PM MISC

Series	Lumens	Optical Assembly	Voltage	Color Temperature	Mounting	Options
HRLL	8L 8,000 nominal lumens ‡	GG Globe and Guard	120 120V	50K 5000K	CM 3/4" Ceiling Mount	EBO Eye bolt for safety chain DF Double fuse ‡ SF Single fuse ‡ MISC Mex
			208 208V		CM1 1" Ceiling Mount	
		240 240V	PM 3/4" Pendant Mount			
		277 277V	PM1 1" Pendant Mount			
		AS Auto-Sensing (120-277V, 50/60 Hz)	SM 1-1/4" Stanchion Mount ‡			
			SM1 1-1/2" Stanchion Mount ‡			
		TMT Trunnion Mount ‡				
		WM 3/4" Wall Mount				
		WM1 1" Wall Mount				

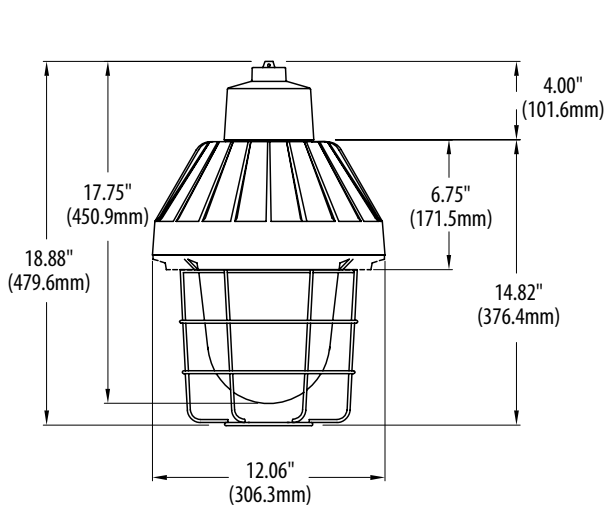
Accessories: Order as separate catalog number.	
HRLLDR	Dome reflector
HRLLAR	30° angle reflector
HRLLHB	High bay alum reflector
HRLLWG	Wire guard

‡ Option Value Ordering Restrictions	
Option value	Restriction
8L	Available with 5000K CCT only.
DF	Must specify voltage. Available with 208, 240 and 480 only. Nameplate label on the fixture will show AS to indicate the voltage.
SM & SM1	Not paint spray booth approved.
SF	Must specify voltage. Available with 120, 277 or 347 only.
TMT	Not paint spray booth approved. Not Class II, Division 1 approved.

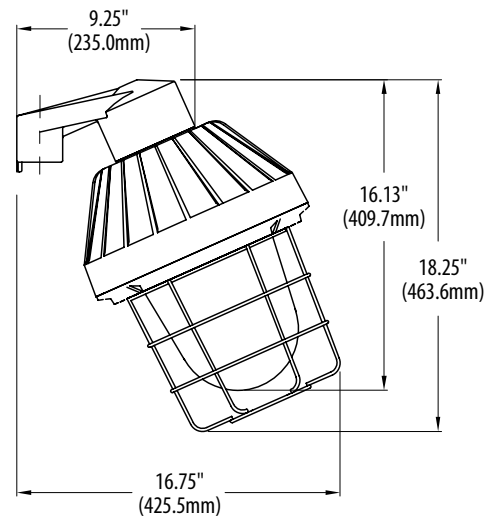
HRL Series

Hazardous Area Lighting Fixtures

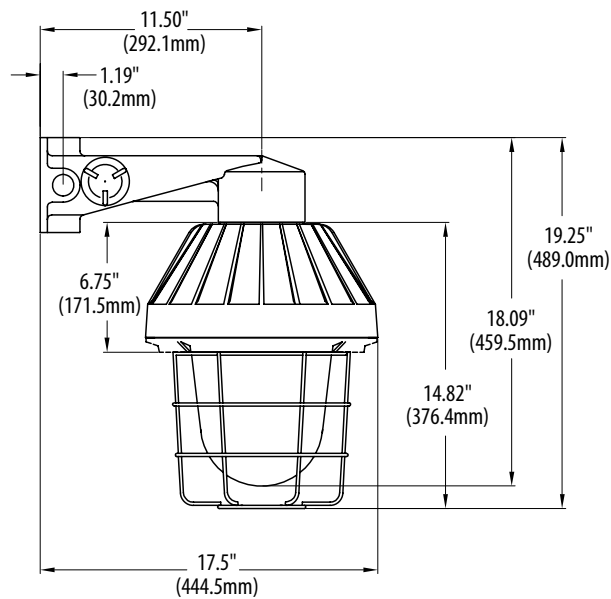
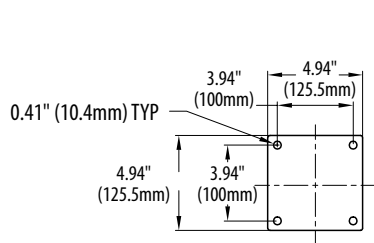
DIMENSIONAL DATA



Pendant Mount (PM, PM1)
(41.6 lbs)



Stanchion Mount (SM, SM1)
(42.7 lbs)

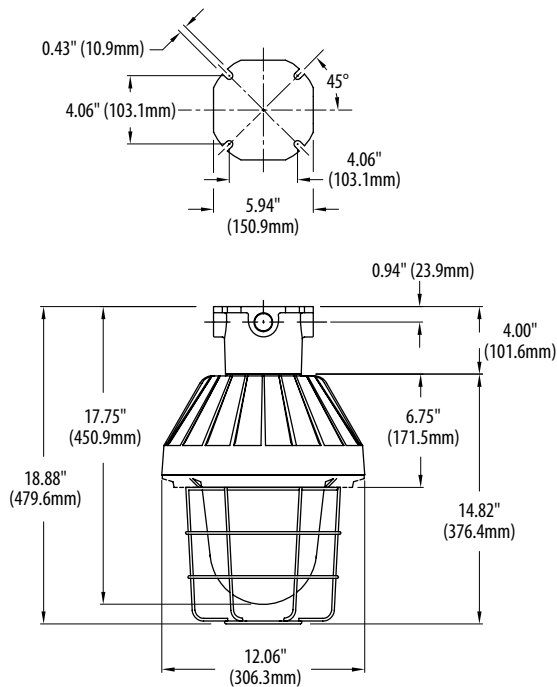


Wall Mount (WM, WM1)
(45.7 lbs)

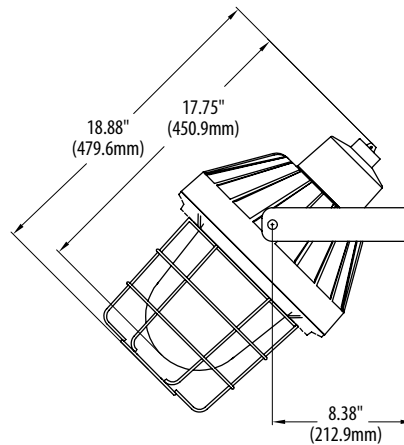
HRLL Series

Hazardous Area Lighting Fixtures

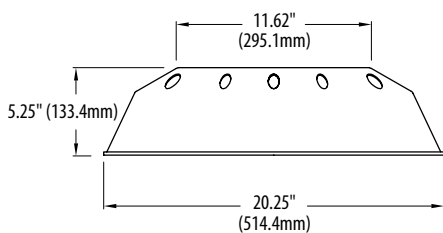
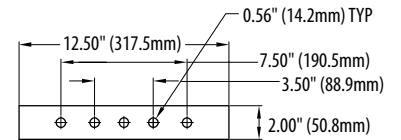
DIMENSIONAL DATA



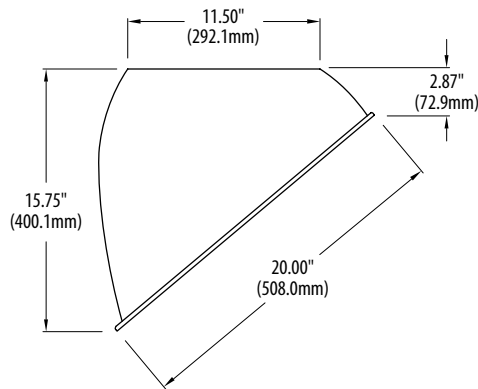
Ceiling Mount (CM, CM1)
(43.5 lbs)



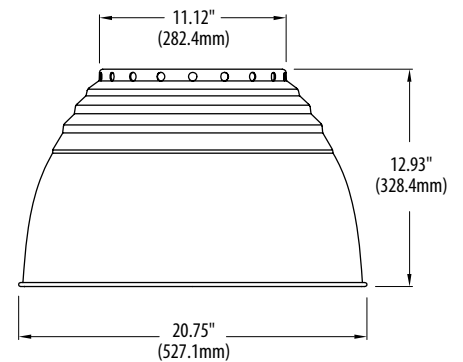
Trunnion Mount (TMT)
(43.6 lbs)



Standard Dome Reflector (HRLDR)



Angle Reflector (HRLAR)



Deep Dome Reflector (HRLHB)

HRLL Series

Hazardous Area Lighting Fixtures



OPERATIONAL DATA

Operating Characteristics

Package	Ambient Rating (120V - 277V)	Delivered Lumens 5000K CCT @ 25C †	Wattage @ 120V	LPW @ 5000K
HRLL 8000LM	-4°F to 131°F (-20°C to 55°C)	8,800	94	95

Notes †	
Delivered Lumens 5000K CCT @ 25C	Absolute photometry calculated in accordance with IESNA LM-79-08.

Operating Temperature Code for Hazardous Locations:

Package †	Max Ambient Range	Class I Division 1 Groups C, D	Class II Division 1, Groups E, F, G, Class III	Paint Spray Booth †
HRLL 8000LM	55°C	T6	T6	No
HRLL 8000LM	40°C	T6	T6	Yes

Notes †	
Package	Supply wire temperature is 90°C.
Paint Spray Booth	Not available with stanchion and trunnion mounting. Pendant, ceiling and wall mounting only.

Zone Equivalency Markings

NEC Protections			
Area	Protection Techniques	Zone Equivalency Markings	
Class I			
Division 1	Intrinsic Safety	CLASS I, DIV 1, GROUP D	CLASS I, ZONE 1 GROUP IIA
	Explosion Proof	CLASS I, DIV 1, GROUP C	CLASS I, ZONE 1 GROUP IIB
Class II			
Division 1	Intrinsic Safety	CLASS II, DIV 1 GROUP E, F, OR G	CLASS II ZONE 20 AND ZONE 21
	Dust-ignitionproof		
	Pressurized		
Class III			
Division 1	Intrinsic Safety	N/A	N/A
	Dust tight		
	Hermetically-sealed		
Division 2	Nonincendive	N/A	N/A
	Any Class III, Division 1 technique		