

Catalog Number	
Notes	Type

Phuzion™ PHV LED

Industrial Linear High Bay

12000LM-30000LM Fixed



12000LM-30000LM with Tilt-able Optics



36000LM-60000LM Fixed



36000LM-60000LM with Tilt-able Optics



FEATURES & SPECIFICATIONS

Certain airborne contaminants can diminish the integrity of acrylic and/or polycarbonate. [Click here for Acrylic-Polycarbonate Compatibility table for suitable use.](#)

Certain airborne contaminants may adversely affect the functioning of LEDs and other electronic components, depending on various factors such as concentrations of the contaminants, ventilation, and temperature at the end-user location. [Click here for a list of substances that may not be suitable for interaction with LEDs and other electronic components.](#)

ENCLOSED CONSTRUCTION:

- Cast Aluminum - Polyester Powder Coated
- Super durable TGIC thermoset powder coat finish provides 1500 hours salt fog rating. CR (corrosion resistant) optional finish is a five-stage pre-treating and painting process that yields over 5,000 hours salt rating per ASTM B117.
- 18-8 and 410 Stainless Steel Hardware
- 316 Stainless steel mounting bracket
- Molded Silicone Gasketing
- 3/4" threaded NPT end-caps standard

OPTICS & LENS:

- Clear & Frosted Acrylic
- Clear & Frosted Tempered Glass
- Flat and Frosted Glass with Prismatic Acrylic Overlay

ELECTRICAL:

- MVOLT (120-277V, 50 or 60Hz)
- HVOLT (347-480V 50 or 60Hz)
- XVOLT is an optional robust driver solution designed to assist with power quality issues and a dropped neutral in 277V input as derived from 480V Wye. Supports 277-480V, 50 or 60 Hz; integral 6kV surge rated.
- 0-10V, 10% Dimming

INSTALLATION:

- Surface Mount (requires surface mount bracket accessory, ceiling mount only)
- Suspended Mount (requires aircraft cable accessory)
- QD (Quick Disconnect)
- Pendant Mount (3/4" NPT Female Hub)

LISTING & RATINGS:

- UL listed to meet US and Canadian standards
- Suitable for use in wet locations
- IP65, IP66 per IEC60529
- NEMA 4X Rated (see chart on page 14 for more information)
- 1G rated per ANSI C136.31
- FCC Title 47, Part 15, Subpart B
- 10kV/6kA Surge Rated per ANSI C82.77-5-2015
- NSF Splash Zone 2 and Non-Food Zone rated
- -40°F (-40°C) to 149°F (65°C) (see chart on page 14 for more information)
- Lumen maintenance (see chart on page 13 for more information)
- IK Rated (see chart on page 13 for more information)

DesignLights Consortium® (DLC) qualified product. Not all versions of this product may be DLC qualified. Please check the DLC Qualified Products List at www.designlights.org/QPL to confirm which versions are qualified.

BUY AMERICAN ACT — Product with the BAA option is assembled in the USA and meets the Buy America(n) government procurement requirements under FAR, DFARS and DOT regulations. Please refer to www.acuitybrands.com/buy-american for additional information.

WARRANTY — 5-year limited warranty. This is the only warranty provided and no other statements in this specification sheet create any warranty of any kind. All other express and implied warranties are disclaimed. Complete warranty terms located at: www.acuity-brands.com/support/warranty/terms-and-conditions

NOTE: Actual performance may differ as a result of end-user environment and application. Fixtures more than 24" wide can interfere with the operation of some fire sprinkler systems. Verify specific installation requirements with local fire official and insurance carrier. All values are design or typical values, measured under laboratory conditions at 25 °C. The product images shown are for illustration purposes only and may not be an exact representation of the product. Specifications subject to change without notice.



Embed nLight controls today. Prepare for tomorrow.

Now	Tomorrow
User-friendly install	Scalability
Enhanced energy savings	Space configuration
Code compliance	Future-ready

A+ Capable Luminaire

This item is an A+ capable luminaire, which has been designed and tested to provide consistent color appearance and out-of-the-box control compatibility with simple commissioning.

- All configurations of this luminaire meet the Acuity Brands' specification for chromatic consistency
- This luminaire is part of an A+ Certified solution for nLight® control networks marked by a shaded background*

To learn more about A+, visit www.acuitybrands.com/aplus.

*See ordering tree for details



A+ Capable options indicated by this color background.

ORDERING INFORMATION

Lead times will vary depending on options selected. Consult with your sales representative.

Example PHV:24000LM FGCL MD MVOLT GZ10 40K 80CRI MISC DWHXD

Series	Nominal lumens	Lens	Distribution	Voltage	Driver	Color temperature	Coloring rendering index
PHV	Two Bays: ‡	FACL Flat clear acrylic lens ‡	ND Narrow ‡	MVOLT Auto Sensing (120-277, 50/60Hz)	GZ10 0-10V dimming	30K 3000 K	80CRI 80 CRI
	12000LM 12,000 lumens	FAFL Flat frosted acrylic lens ‡	MD Medium ‡	120 120V, 50/60Hz		35K 3500 K	90CRI 90 CRI
	15000LM 15,000 lumens	FATL Flat textured acrylic lens ‡	WD Wide ‡	208 208V, 50/60Hz		40K 4000 K	
	18000LM 18,000 lumens	FGCL Flat clear glass lens ‡		240 240V, 50/60Hz		50K 5000 K	
	24000LM 24,000 lumens	FGFL Flat frosted glass lens ‡		277 277V, 50/60Hz			
	30000LM 30,000 lumens	FGCLAT Flat clear glass with textured acrylic overlay ‡		HVOLT Auto Sensing (347-480V, 50/60Hz)			
	Four Bays: ‡	FGFLAT Flat frosted glass with textured acrylic overlay ‡		347 347V, 50/60Hz			
	36000LM 36,000 lumens			480 480V, 50/60Hz			
	45000LM 45,000 lumens			XVOLT Enhanced Power Protection (277-480V, 50/60Hz)			
	50000LM 50,000 lumens			277X 277V XVOLT driver, 50/60Hz ‡			
	60000LM 60,000 lumens			347X 347V XVOLT Driver, 50/60Hz ‡			
				480X 480V XVOLT Driver, 50/60Hz ‡			

Mounting	Options
PM 3/4" NPT Female pendant hub ‡	Emergency: E15WMCP Power Sentry® PS1555MCP, 15 watt internal constant power emergency driver, self-diagnostic, 5° C min, Certified in CA Title 20 MAEDBS (LINK) ‡
QD Quick disconnect ‡	IE18WCPHECW IOTA® ILB CP18 HE CW 2LA, 18 watt internal constant power emergency driver, cold weather, -20° C min, Certified in CA Title 20 MAEDBS (LINK) ‡
NDT Non-disconnect thru-wire ‡	IE20WCPHER IOTA® ILBHI CP20 HE SD HV S, 20 watt remote constant power emergency driver, self diagnostic, 0° C min, Certified in CA Title 20 MAEDBS (LINK) ‡
QR Quick disconnect retrofit ‡	IE30WCPHER IOTA® ILBHI CP30 HE SD HV S, 30 watt remote constant power emergency driver, self diagnostic, 0° C min, Certified in CA Title 20 MAEDBS (LINK) ‡
NR Non-disconnect retrofit ‡	ETS IOTA® ETS DR, automatic load control relay device (ALCR) for UL 924 operation when using auxiliary generator or central inverter (LINK) ‡
SUSP Suspended ‡	Damp Location Cordsets: CPSB Cord with NEMA 15 amp straight blade plug, 18 gauge, 3 conductors, black, 6ft (120 or 277V only) CPSBW Cord with NEMA 15 amp straight blade plug, 18 gauge, 3 conductors, white, 6ft (120 or 277V only) *See page 5 for additional cordset options Wet Location Cordsets: CPTLWL Cord with NEMA 15 amp twist lock plug, 18 gauge, 3 conductors, black, 6ft (120-277V only) CPTLWWL Cord with NEMA 15 amp twist lock plug, 18 gauge, 3 conductors, white, 6ft (120-277V only) CPTL20AWL Cord with NEMA 20 amp twist lock plug, 18 gauge, 3 conductors, black, 6ft (120V-480V) CPTL20AWWL Cord with NEMA 20 amp twist lock plug, 18 gauge, 3 conductors, white, 6ft (120V-480V) *See page 5 for additional cordset options Wet Location Cords (No Plug): ‡ CNPWL Cord only (no plug), 18 gauge, 3 conductors, black, 6ft CNPWWL Cord only (no plug), 18 gauge, 3 conductors, white, 6ft CNP4CWL Cord only (no plug), 18 gauge, 4 conductors, extra HOT input for use with EM battery, black, 6ft CNP4CWWL Cord only (no plug), 18 gauge, 4 conductors, extra HOT input for use with EM battery, white, 6ft CNP5CWL Cord only (no plug), 18 gauge, 5 conductors, dual voltage for use with ETS or ER sensor, black, 6ft CNP5CWWL Cord only (no plug), 18 gauge, 5 conductors, dual voltage for use with ETS or ER sensor, white, 6ft CNP5CDWL Cord only (no plug), 18 gauge, 5 conductors, includes 0-10V dimming leads, black, 6ft CNP5CDWWL Cord only (no plug), 18 gauge, 5 conductors, includes 0-10V dimming leads, white, 6ft *See page 5 for additional cordset options
	Modular Wiring: OCS Reloc® One Pass® circuit selector system drop, 18-gauge, 3 conductors, 6ft (120-480V) (LINK) ‡ OCS4C Reloc® One Pass® circuit selector system drop, 18-gauge, 4 conductors, for use with EM battery, 6ft (120 or 277V only) (LINK) ‡ Other Options: AO Adjustable output (step dimming) ‡ BAA Buy America(n) Act Compliant MISC Mex CR Corrosion resistant finish ‡ HKMW 3/4" male gasketed hook (PF-291) ‡ NSG Non-silicone gasket ‡ OUTEND Cord routed out end of the fixture ‡ SCKX Galvanized safety chain, X denotes length ‡ SCSSX Stainless steel safety chain, X denotes length ‡ STSS Stainless steel screws ‡ TILT Tilttable optics ‡ UPL Uplight ‡ WGX Zinc coated steel wire guard factory installed ‡ WGXSS Stainless steel wire guard factory installed ‡ Individual Non-Dimming Sensors (internal): SBGR6 360° High Mount sensor, (15-30' mounting heights), on/off occupancy (LINK) SBGR10 360° High Mount sensor, (8-15' mounting heights), on/off occupancy (LINK) SBGR6 P 360° High Mount sensor, (15-30' mounting heights), on/off photocell (LINK) SBGR10 P 360° High Mount sensor, (8-15' mounting heights), on/off photocell (LINK) Individual Dimming Sensors (internal): ‡ SBGR6 D 360° High Mount sensor, (15-30' mounting heights), high/low/off occupancy dimming (low = 1V) (LINK) SBGR10 D 360° High Mount sensor, (8-15' mounting heights), high/low/off occupancy dimming (low = 1V) (LINK) SBGR6 ADC 360° High Mount sensor, (15-30' mounting heights), automatic dimming photocell (LINK) SBGR10 ADC 360° High Mount sensor, (8-15' mounting heights), automatic dimming photocell (LINK)

ORDERING INFORMATION (cont'd.)

Options (continued)		Finish	
<p>nLight® Air Wireless (external):</p> <p>NLTAIR2 RSBOR6 nLight® Air Generation 2 externally mounted high mount PIR sensor (15-30' mounting heights) (LINK) ‡</p> <p>NLTAIR2 RSBOR6 EM nLight® Air Generation 2 externally mounted high mount PIR sensor (15-30' mounting heights), UL 924 operation via power interrupt detection (LINK) ‡</p> <p>NLTAIR2 RSBOR10 nLight® Air Generation 2 externally mounted low mount PIR sensor (8-15' mounting heights) (LINK) ‡</p> <p>NLTAIR2 RSBOR10 EM nLight® Air Generation 2 externally mounted low mount PIR sensor (8-15' mounting heights) UL 924 operation via power interrupt detection (LINK) ‡</p> <p>NLTAIR2 RPP20 D nLight® air generation 2 power/relay pack, 0-10V dimming output (LINK) ‡</p> <p>NLTAIR2 RPP20 D ER nLight® air generation 2 power/relay pack, 0-10V dimming output, UL 924 EM operation via power sense leads (LINK) ‡</p> <p>NLTAIR2 RPP20 D EM nLight® air generation 2 power/relay pack, 0-10V dimming output, UL 924 EM operation via power interrupt detection (LINK) ‡</p> <p>Bluetooth® Sensors (internal): ‡</p> <p>SBG6 OCC BTP 360° High Mount Sensor, (15-45' mounting heights), on/off occupancy, utilizes smart hub for Bluetooth® programmability (LINK)</p> <p>SBG6 HL BTP 360° High Mount Sensor, (15-45' mounting heights), high/low/off occupancy dimming, utilizes smart hub for Bluetooth® programmability (LINK)</p> <p>SBG6 ADC BTP 360° High Mount Sensor, (15-45' mounting heights), on/off occupancy with auto dimming photocell, utilizes smart hub for Bluetooth® programmability (LINK)</p> <p>SBG6 ANL BTP 360° High Mount Sensor, (15-45' mounting heights), high/low/off occupancy dimming with auto dimming photocell, utilizes smart hub for Bluetooth® programmability (LINK)</p> <p>SBG10 OCC BTP 360° Low Mount Sensor, (7-15' mounting heights), on/off occupancy, utilizes smart hub for Bluetooth® programmability (LINK)</p> <p>SBG10 HL BTP 360° Low Mount Sensor, (7-15' mounting heights), high/low/off occupancy dimming, utilizes smart hub for Bluetooth® programmability (LINK)</p> <p>SBG10 ADC BTP 360° Low Mount Sensor, (7-15' mounting heights), on/off occupancy with auto dimming photocell, utilizes smart hub for Bluetooth® programmability (LINK)</p> <p>SBG10 ANL BTP 360° Low Mount Sensor, (7-15' mounting heights), high/low/off occupancy dimming with auto dimming photocell, utilizes smart hub for Bluetooth® programmability (LINK)</p>		<p>nLight® Air Wireless (internal):</p> <p>NLTAIR2 RMSOD 45 nLight® air fixture embedded 360° high mount PIR sensor, (10-40' mounting heights) (LINK) ‡</p> <p>NLTAIR2 RMSOD 45A nLight® air fixture embedded high mount aisleway PIR sensor, (10-40' mounting heights) (LINK) ‡</p> <p>NLTAIR2 RMSOD 7 nLight® air fixture embedded 360° mini low bay PIR sensor, (8-20' mounting heights) (LINK) ‡</p> <p>NLTAIR2 RMSOD 45 ER nLight® air fixture embedded 360° high mount PIR sensor, (10-40' mounting heights), includes ETS for UL 924 operation when using auxiliary generator or central inverter (LINK) ‡</p> <p>NLTAIR2 RMSOD 45A ER nLight® air fixture embedded high mount aisleway PIR sensor, (10-40' mounting heights), includes ETS for UL 924 operation when using auxiliary generator or central inverter (LINK) ‡</p> <p>NLTAIR2 RMSOD 7 ER nLight® air fixture embedded 360° mini low bay PIR sensor, (8-20' mounting heights), includes ETS for UL 924 operation when using auxiliary generator or central inverter (LINK) ‡</p> <p>NLTAIR2 RSBG10 nLight® Air Generation 2 fixture embedded 360° low mount PIR sensor, (8-15' mounting heights) (LINK) ‡</p> <p>NLTAIR2 RSBG6 nLight® Air Generation 2 fixture embedded 360° high bay PIR sensor, (15-30' mounting heights) (LINK) ‡</p> <p>NLTAIR2 RSBG40 nLight® Air Generation 2 fixture embedded 360° high bay PIR sensor, (40' mounting heights) (LINK) ‡</p> <p>NLTAIR2 RIO nLight® air generation 2 fixture embedded network interface, 0-10V dimming output (LINK) ‡</p> <p>NLTAIR2 RIO ER nLight® air generation 2 fixture embedded network interface, 0-10V dimming output, includes ETS for UL 924 operation when using auxiliary generator or central inverter (LINK) ‡</p> <p>nLight® Wired (external):</p> <p>NPP16 D nLight® wired power/relay pack, 0-10VDC dimming output (LINK) ‡</p> <p>NPP16 D ER nLight® wired Power/relay pack, 0-10VDC dimming output, UL924 Emergency operation via power sense leads (LINK) ‡</p>	<p>DWHXD Super durable white</p> <p>DGRXD Super durable, graphite ‡</p> <p>DNXD Super durable, satin nickel</p> <p>DBXD Super durable matte black</p> <p>DGXD Super durable grey</p> <p>DWAM White antimicrobial ‡</p> <p>DBLXD Super durable, black</p>

Accessories: Order as separate catalog number.		
<p>Mounting:</p> <p>PHVAC XIN Aircraft Cable with hook (shipped separately, QTY of 2), X denotes length ‡</p> <p>PHVACSS XIN Stainless steel aircraft cable with hook (shipped separately, QTY of 2), X denotes length ‡</p> <p>PHVSMB Surface mount bracket for use with all lumen packages when no fixture back pack is required.</p> <p>PHVSMBBP Surface mount bracket for use with all lumen packages when fixture back pack is required.</p>	<p>Wire guards:</p> <p>WGPHV Zinc coated steel (for 48" length, order 2) ‡</p> <p>WGPHVSS Stainless steel (for 48" fixture order 2) ‡</p> <p>Safety Chain:</p> <p>PHVCHAIN XIN Galvanized safety chain (shipped separately), X denotes length ‡</p> <p>PHVCHAINSS XIN Stainless Steel safety chain (shipped separately), X denotes length ‡</p>	<p>Sensor adapter kits:</p> <p>PHVDHK Doghouse kit for use when field installing Compatible damp location sensors (LSXR, RLSXR, nPP16, rPP20, CMRB)</p> <p>PHVBSK Bracket sensor kit for use when installing compatible wet location sensor families (SBOR, rSBOR)</p>

NOTE: ‡ Indicates option chosen has ordering restrictions and notes. Please reference chart below on page 4. Options are sorted alphanumerically.

Option Value Ordering Restrictions and Notes

Option value	Restriction
AO	Not available with dimming controls (Individual Dimming Sensors, Bluetooth® Sensors, nLight® Air Wireless) or 5 conductor (CNP5C) dual voltage and (CNP5CD) dimming cords.
Bluetooth® Sensors (internal)	Not available with AO or 5 conductor (CNP5C) dual voltage and (CNP5CD) dimming cords.
CR	Not available with DWAM.
Damp Location Cordsets	Available with 120, 277 or 277X only. Not available with QD, QR, NDT, NR. Not available with PM unless HKMW or OUTEND is included. Alternative cord options (wire gauge, length, etc.) are available. See Cord Set Ordering Information of Page 5 for further details. See NEMA plug configurations chart on page 5 for plug type supplied depending on voltage chosen.
DGRXD	Option is not NSF rated.
DWAM	Not available with CR. Option is not NSF rated.
E15WMCP	Utilizes TSPL indicator light and LiFePO4 battery. Order with MVOLT unless another option requires specific voltage. Not available with 347, 347X, 480, 480X, HVOLT, XVOLT or ETS. Available with 4 conductor cord (CNP4C), but not required. Utilizes fixture back pack which adds 3.02 inches to fixture height. See dimensional line art for details. Fixture will be IP65 rated.
ETS	Not available with 347, 347X, 480, 480X, HVOLT, XVOLT, any EM battery or any sensor that includes the ER option. Available with 5 conductor dual voltage cordset (CNP5C or CNP5CW), but not required.
FACL, FAFL	Not available with ND or WD distributions.
FATL	MD distribution is only available with the 60000LM option.
FGCL, FGFL	Not available with ND or WD distribution. Not available for food processing applications, NSF listed for non-food zones.
FGCLAT	Not available for food processing applications, NSF listed for non-food zones.
FGFLAT	Not available for food processing applications, NSF listed for non-food zones.
Four Bays	Order with TILT option for adjustable optics. All fixtures over 24" wide are required to have additional support regardless of the mounting type chosen. The SCK (safety chain) or SCSS (stainless steel safety chain) option will be required and the fixture will ship with two safety chain kits for the two outer bays.
HKMW	Requires cordset with or without plug. Not available with OUTEND, QD, QR, NDT or NR. Not available with 5 conductor (CNP5C) dual voltage and (CNP5CD) dimming cords.
IE18WCPHECW	Utilizes Wet location test switch and charge indicator and sealed lead acid battery. Order with MVOLT or 277X unless another option requires specific voltage. Not available with 347, 347X, 480, 480X, HVOLT, XVOLT or ETS. Available with 4 conductor cord (CNP4C), but not required. Utilizes fixture back pack which adds 3.02 inches to fixture height. See dimensional line art for details. Fixture will be IP65 rated.
IE20WCPHER	Utilizes TSPL indicator light and Lithium Ion battery. Order with HVOLT, 347X or 480X unless another option requires specific voltage. Not available with 120, 208, 240, 277, 277X, MVOLT, XVOLT or ETS. Not available with cord set. Damp Listed.
IE30WCPHER	Utilizes TSPL indicator light and Lithium Ion battery. Order with HVOLT, 347X or 480X unless another option requires specific voltage. Not available with 120, 208, 240, 277, 277X, MVOLT, XVOLT or ETS. Not available with cord set. Damp Listed.
Individual Dimming Sensors (internal)	Not available with AO or 5 conductor (CNP5C) dual voltage and (CNP5CD) dimming cords.
MD	FATL lens is only available with the 60000LM option.
ND	Not available with FACL, FAFL, FGCL, or FGFL lens options.
NDT	Not available with HKMW, cordsets or EM battery options. The NDT (non-disconnect thru-wiring) system is made up of 2 parts. The top portion is removable and is meant to be installed in the ceiling. The bottom portion is factory installed to the fixture. The 2 part junction box used on top of the fixture will be empty. Damp Listed. All fixtures over 24" wide are required to have additional support. When ordering 36000LM-60000LM (4 bays), the SCK (safety chain) or SCSS (stainless steel safety chain) option will be required and the fixture will ship with two safety chain kits for the two outer bays.
NLTAIR2 RIO	Not available with AO or 5 conductor (CNP5C) dual voltage and (CNP5CD) dimming cords.
NLTAIR2 RIO ER	Not available with AO or EM battery. Utilizes IOTA® ETS DR. Only available cord is the 5 conductor dual voltage CNP5C, but not required.
NLTAIR2 RMSOD7, RMSOD45, RMSOD45A	Not available with AO or 5 conductor (CNP5C) dual voltage and (CNP5CD) dimming cords.
NLTAIR2 RMSOD7 ER, RMSOD45 ER, RMSOD45A ER	Not available with AO or EM battery. Utilizes IOTA® ETS DR. Only available cord is the 5 conductor dual voltage CNP5C, but not required.
NLTAIR2 RPP20 D	Not available with AO, HKMW, HVOLT, 347, 480, XVOLT, 347X, 480X or 5 conductor (CNP5C) dual voltage and (CNP5CD) dimming cords. Damp listed.
NLTAIR2 RPP20 D EM	Not available with AO, HKMW, HVOLT, 347, 480, XVOLT, 347X, 480X, EM battery, ETS or 5 conductor (CNP5C) dual voltage and (CNP5CD) dimming cords. Damp listed.
NLTAIR2 RPP20 D ER	Not available with AO, HKMW, HVOLT, 347, 480, XVOLT, 347X or 480X. Only available cord is the 5 conductor dual voltage CNP5C, but not required. Damp listed.
NLTAIR2 RSBG6, RSBG10, RSBG40	Not available with AO or 5 conductor (CNP5C) dual voltage and (CNP5CD) dimming cords.
NLTAIR2 RSBG6 ER, RSBG10 ER, RSBG40 ER	Not available with AO or EM battery. Utilizes IOTA® ETS DR. Only available cord is the 5 conductor dual voltage CNP5C, but not required.
NLTAIR2 RSBOR6, RSBOR10	Available with MVOLT or HVOLT only. Not available with AO, HKMW or 5 conductor (CNP5C) dual voltage and (CNP5CD) dimming cords.
NLTAIR2 RSBOR6 EM, RSBOR10 EM	Available with MVOLT only. Not available with AO, HKMW, EM battery ETS or 5 conductor (CNP5C) dual voltage and (CNP5CD) dimming cords.
NPP16 D	Available with 120, 277, 277X, 347 or 347X only. Not available with AO, HKMW, or 5 conductor (CNP5C) dual voltage and (CNP5CD) dimming cords. Damp listed.
NPP16 D ER	Available with 120, 277, 277X, 347 or 347X only. Not available with AO, HKMW, ETS or EM battery. Only available cord is the 5 conductor dual voltage CNP5C, but not required. Damp listed.
NR	Not available with HKMW, cordsets with or without a plug or EM battery options. Ordering this option assumes the top portion of the NDT option is already installed. This is a for retrofit applications only. Damp Listed. All fixtures over 24" wide are required to have additional support. When ordering 36000LM-60000LM (4 bays), the SCK (safety chain) or SCSS (stainless steel safety chain) option will be required and the fixture will ship with two safety chain kits for the two outer bays.
NSG	Not available with RMSOD nLight® Air Wireless sensors.
OCS	Must specify voltage. Not available with EM battery. Dry Listed.
OCS4C	Must specify voltage. Available with EM battery. Dry Listed.
OUTEND	Not available with HKMW. Required for cordsets with a plug (CPSBXX or CPTL) when ordered with PM without HKMW.
PHVAC XIN, PHVACSS XIN	Aircraft cable shipped separately as an accessory. Available in multiple sizes. Replace X with size in inches. Example: PHVAC 120IN = 120 inches or 10 feet. PHVACSS is required for NEMA 4X applications.
PHVCHAIN XIN, PHVCHAINSS XIN	Safety chain shipped separately as an accessory. Available in multiple sizes. Replace X with size in inches. Example: PHVCHAIN 120IN = 120 inches or 10 feet. PHVCHAINSS required for NEMA 4X applications.
PM	When a cord with a plug (CPSB, CPSBW, CPTL or CPTLW) is chosen, HKMW or OUTEND must be included. When a cord without a plug (CNP or CNPW) is chosen, HKMW or OUTEND is not required. In that case, the cord without a plug will be routed through the pendant with no cord grip. When a cord with or without a plug is chosen with HKMW, the cord will be routed through the gasketed hook. When a cord with or without a plug is chosen with OUTEND, the cord will be routed through end of fixture. Not available with SUSPXXX, SUSPXXXS, QD, QR, NDT, NR. All fixtures over 24" wide are required to have additional support. When ordering 36000LM-60000LM (4 bays), the SCK (safety chain) or SCSS (stainless steel safety chain) option will be required and the fixture will ship with two safety chain kits for the two outer bays.
QD	Not available with HKMW, cordsets with or without a plug or EM battery options. The QD (quick disconnect) system is made up of 2 parts. The top portion "QDH" ships separately to be installed in the ceiling. The bottom portion is factory installed on the fixture. The 2 part quick disconnect will include components to allow voltage to pass between the top and bottom portions. Damp Listed. All fixtures over 24" wide are required to have additional support. When ordering 36000LM-60000LM (4 bays), the SCK (safety chain) or SCSS (stainless steel safety chain) option will be required and the fixture will ship with two safety chain kits for the two outer bays.
QR	Not available with HKMW, cordsets with or without a plug or EM battery options. Ordering this option assumes the top portion of the QD option (QDH) is already installed. This is a for retrofit applications only. Damp Listed. All fixtures over 24" wide are required to have additional support. When ordering 36000LM-60000LM (4 bays), the SCK (safety chain) or SCSS (stainless steel safety chain) option will be required and the fixture will ship with two safety chain kits for the two outer bays.
SCKX, SCSSX	All fixtures over 24" wide are required to have additional support. When ordering 36000LM-60000LM (4 bays), the SCK (safety chain) or SCSS (stainless steel safety chain) option will be required and the fixture will ship with two safety chain kits for the two outer bays.
STSS	Required for NEMA 4X rating.
SUSP	Requires aircraft cable which ships separately. All fixtures over 24" wide are required to have additional support. When ordering 36000LM-60000LM (4 bays), the SCK (safety chain) or SCSS (stainless steel safety chain) option will be required and the fixture will ship with two safety chain kits for the two outer bays.
TILT	Outer Bays are tiltable between 0 and 40 degrees. Please refer to installation instructions for more information.
Two Bays	Order with TILT option for adjustable optics.
UPL	CCT, CRI matches fixture. Not available 347V, 480, or HVOLT. UPL utilizes dedicated driver. UPL is always on - sensors not tied to dedicated driver. Not available with E15WMCP. Available factory installed only. Damp Listed.
WD	Not available with FACL, FAFL, FGCL, or FGFL lens options.
Wet Location Cordsets	Must Specify Voltage. Not available with QD, QR, NDT, NR. Not available with PM unless HKMW or OUTEND is included. Alternative cord options (wire gauge, length, etc.) are available. See Cord Set Ordering Information of Page 5 for further details. See NEMA plug configurations chart on page 5 for plug type supplied depending on voltage chosen.
Wet Location Cords (no plug)	Alternative cord options (wire gauge, length, etc.) are available. See Cord Set Ordering Information of Page 5 for further details.
WGPVH, WGPVSS	Ships with a QTY of 1 each. For 12000-30000LM packages order two. For 36000-60000LM packages order four. WGPVSS is required for NEMA 4X applications.
WGX	Unpainted zinc-plated steel wire. Not suitable for NEMA 4X applications.
WGSS	Unpainted 304 stainless steel. NEMA 4X rated.

CORD SET ORDERING INFORMATION

Plug Option	Plug type	Amperage	Gauge	# of conductors	Color	Location	Length
CNP Cord Only	(blank) No Plug Option (for Cord Only option)	(blank) 15 amps	(blank) 18 gauge standard	(blank) 3 conductors (blk/wht/grn)	(blank) Black	(blank) Damp Location	(blank) 6 feet
CP Cord with Plug ‡	TL Locking Type SB Straight blade ‡	20A 20 amps	16 16 gauge	4C 4 conductors; Use with Battery option when unswitched hot is needed 5C 5 conductors; Use when fixture has 2 drivers and separate operation is required 5CD 5 conductors; Use with dimming driver when Purple/Gray dimming leads are desired (Not for use with dimming sensors)	W White	WL Wet Location ‡	3FT 3 feet 10FT 10 feet 12FT 12 feet 15FT 15 feet 20FT 20 feet

‡ Option Value Ordering Restrictions and Notes

Option value	Restriction
Cord Set Ordering Information	Cords are routed out of pendant opening standard. If cord needs to be routed out end, please choose OUTEND option.
CP	Not available with MVOLT, HVOLT or XVOLT.
SB	Damp listed only.
WL	Not available with SB plug type.

NEMA Plug Configurations

Voltage	Straight Blade	15A Twist Lock	20A Twist Lock
MVOLT	NA	NA	NA
120	5-15P	L5-15P	L5-20P
208	NA	L6-15P	L6-20P
240	NA	L6-15P	L6-20P
277	7-15P	L7-15P	L7-20P
HVOLT	NA	NA	NA
347	NA	NA	L24-20P
480	NA	NA	L8-20P
XVOLT	NA	NA	NA
277X	NA	L7-15P	L7-20P
347X	NA	NA	L24-20P
480X	NA	NA	L8-20P

Number of LED Boards and Drivers Used

Lumen Package	Number of LED Boards	Number of Drivers
12000LM	4	1
15000LM	4	1
18000LM	4	1
24000LM	4	1
30000LM	4	1
36000LM	8	2
45000LM	8	2
50000LM	8	2
60000LM	8	2

DIMENSIONS

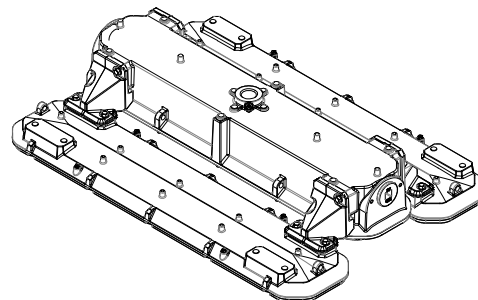
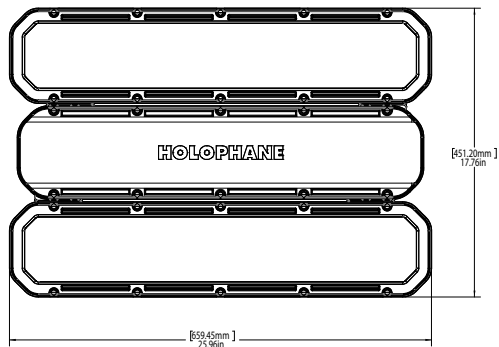
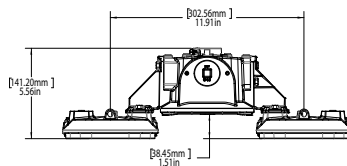
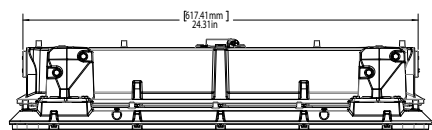
All dimensions are in inches (centimeters) unless otherwise indicated. Dimensions may vary with options or accessories.

Weight: (may vary with options or accessories)

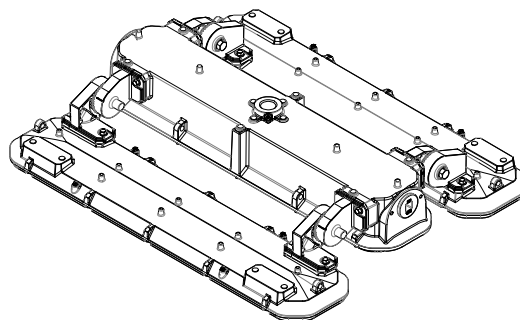
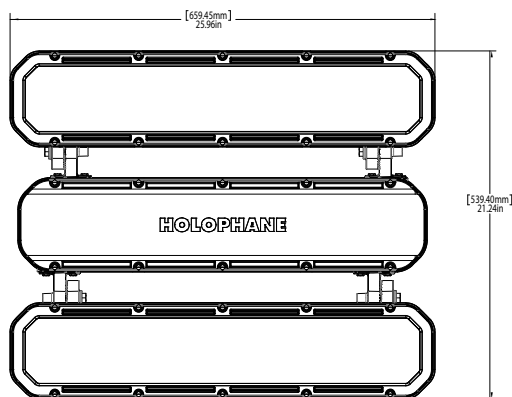
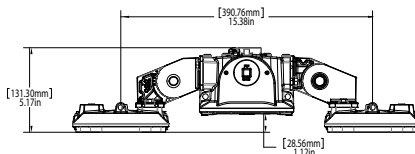
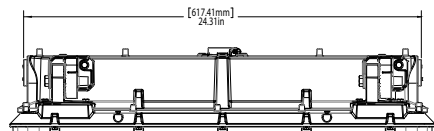
2': 25.5lbs (11.5Kg)

4': 55.5lbs (25.1Kg)

* Weight provided for fixture with FRGL glass lens.



12000LM - 30000LM FIXED WITH TWO BAYS



12000LM - 30000LM TILT WITH TWO BAYS

DIMENSIONS

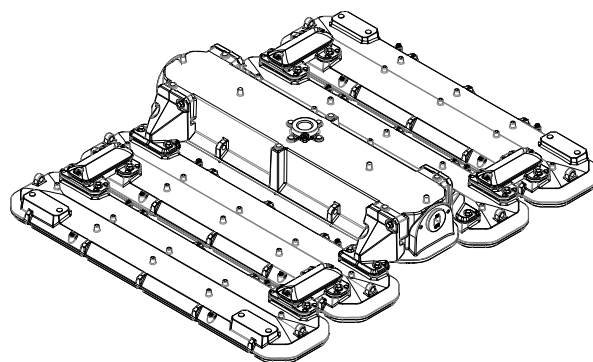
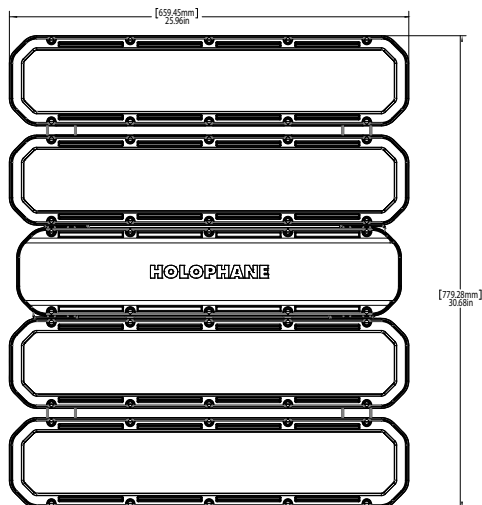
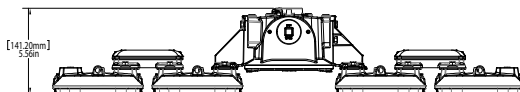
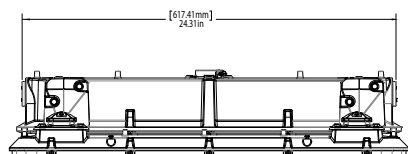
All dimensions are in inches (centimeters) unless otherwise indicated. Dimensions may vary with options or accessories.

Weight: (may vary with options or accessories)

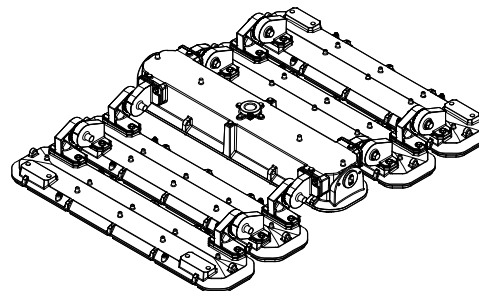
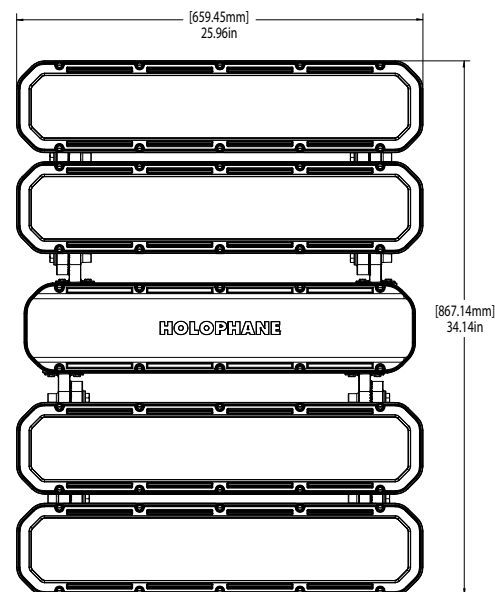
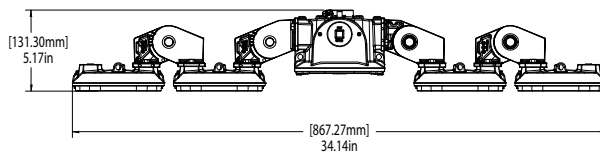
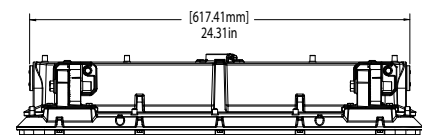
2': 25.5lbs (11.5Kg)

4': 55.5lbs (25.1Kg)

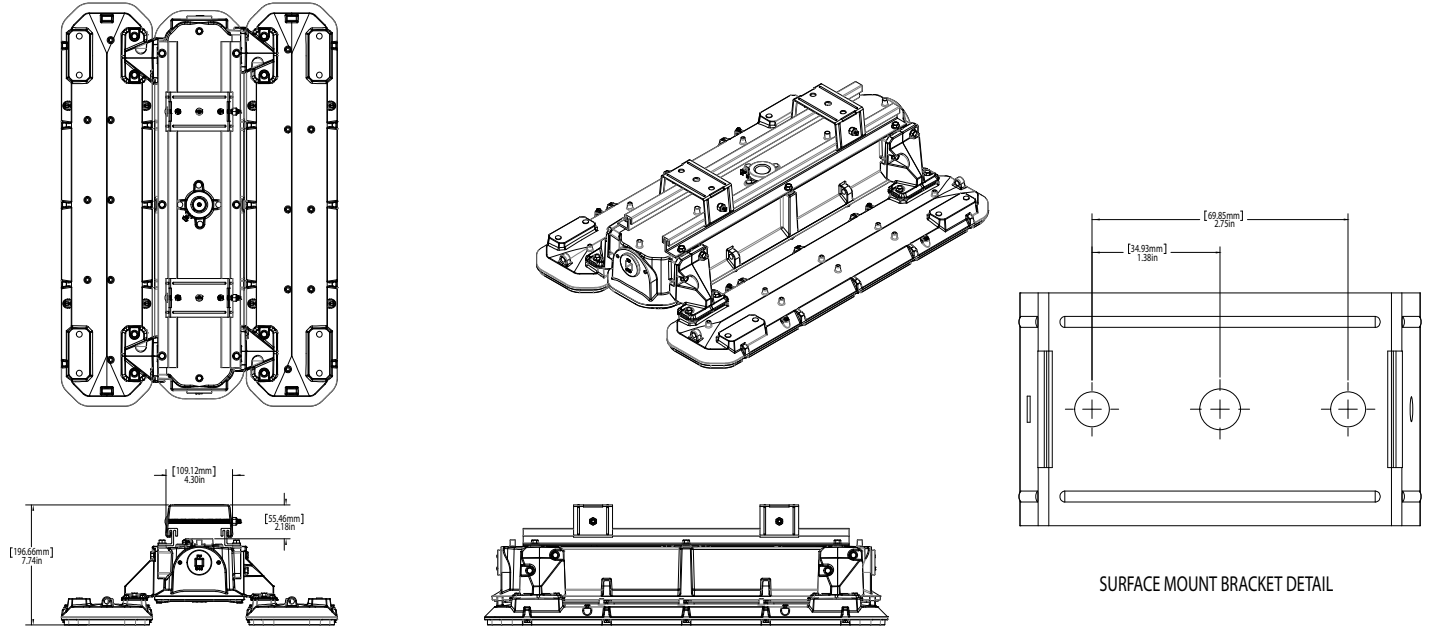
* Weight provided for fixture with FRGL glass lens.



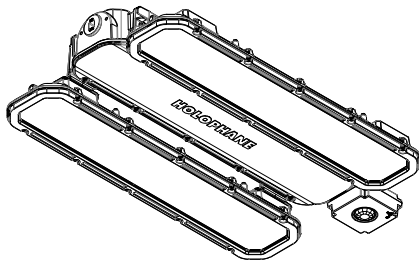
36000LM - 60000LM FIXED WITH FOUR BAYS



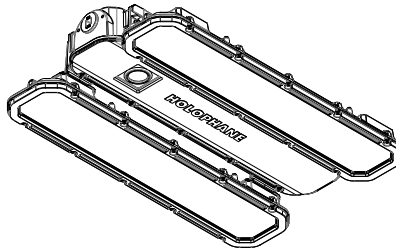
36000LM - 60000LM TILT WITH FOUR BAYS



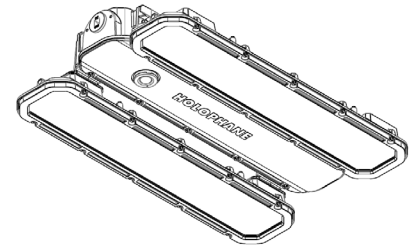
12000LM - 30000LM FIXED WITH SURFACE MOUNT OPTION



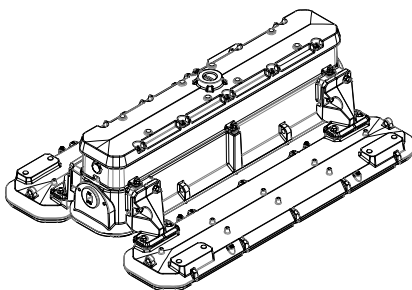
12000LM-30000LM FIXED WITH RSBOR SENSOR



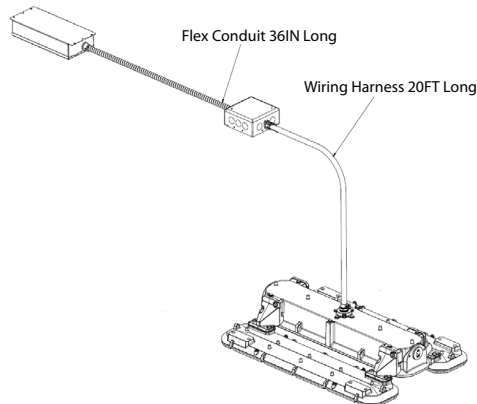
12000LM-30000LM FIXED WITH RSBG SENSOR



12000LM-30000LM FIXED WITH RMSOD SENSOR



12000LM-30000LM FIXED WITH EM BATTERY BACKPACK (E15WMCP or IE18WCPHECW)

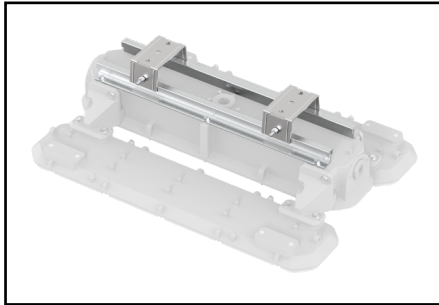


12000LM-30000LM FIXED WITH REMOTE EM BATTERY (IE20WCPHER or IE30CIPHER)

Mounting methods

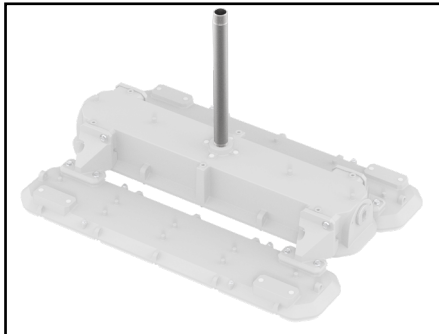
Surface

- Surface mount kits ship separately (PHVSMB shown)



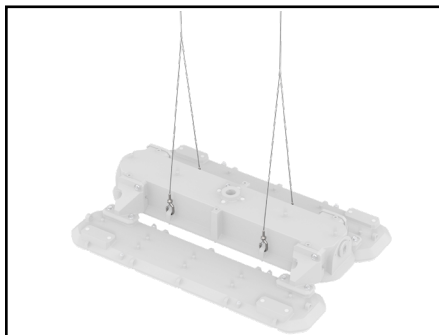
Pendant

- 3/4" NPT hub standard
- Conduit supplied by others



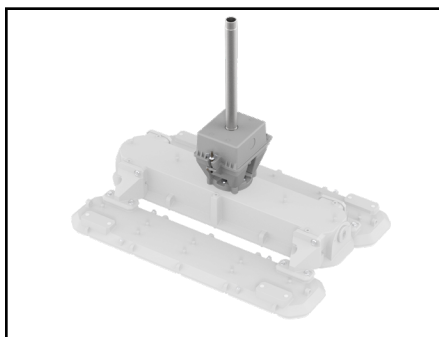
Suspended

- Aircraft cable kits ship separately (PHVAC 120IN shown)



QD Quick disconnect

- 3/4" NPT hub standard
- Conduit supplied by others



PERFORMANCE DATA

Lumen Package	Lens	Distribution	Wattage	80CRI				90CRI				
				30K	35K	40K	50K	30K	35K	40K	50K	
12000LM	FACL	MD	74	12178	12518	12756	12960	10273	10783	10885	11327	Lumens
				165	169	173	175	139	146	147	153	LPW
	FAFL	MD	74	11254	11568	11787	11976	9493	9965	10059	10467	Lumens
				152	157	160	162	129	135	136	142	LPW
	FATL	ND	74	10899	11203	11417	11600	9194	9651	9743	10138	Lumens
				148	152	155	157	124	131	132	137	LPW
		WD	74	11064	11373	11590	11775	9334	9797	9890	10292	Lumens
				150	154	157	159	126	133	134	139	LPW
	FGCL	MD	74	11725	12052	12282	12478	9891	10382	10480	10906	Lumens
				159	163	166	169	134	141	142	148	LPW
	FGCLAT	MD	74	10422	10713	10917	11091	8792	9228	9316	9694	Lumens
				141	145	148	150	119	125	126	131	LPW
		ND	74	10247	10532	10733	10905	8644	9073	9159	9531	Lumens
				139	143	145	148	117	123	124	129	LPW
	WD	74	10311	10600	10801	10974	8699	9131	9217	9592	Lumens	
			140	144	146	149	118	124	125	130	LPW	
	FGFL	MD	74	11407	11725	11948	12139	9622	10100	10196	10610	Lumens
				154	159	162	164	130	137	138	144	LPW
	FGFLAT	MD	74	10897	11201	11414	11597	9192	9649	9740	10136	Lumens
				148	152	155	157	124	131	132	137	LPW
		ND	74	10074	10355	10552	10721	8498	8920	9005	9370	Lumens
				136	140	143	145	115	121	122	127	LPW
		WD	74	10009	10289	10485	10652	8443	8863	8946	9310	Lumens
				136	139	142	144	114	120	121	126	LPW

Lumen Package	Lens	Distribution	Wattage	80CRI				90CRI				
				30K	35K	40K	50K	30K	35K	40K	50K	
15000LM	FACL	MD	93	15268	15695	15993	16249	12880	13519	13647	14202	Lumens
				164	169	172	175	138	145	147	153	LPW
	FAFL	MD	93	14109	14503	14779	15015	11902	12493	12611	13124	Lumens
				152	156	159	161	128	134	135	141	LPW
	FATL	ND	93	13665	14047	14314	14543	11528	12100	12215	12711	Lumens
				147	151	154	156	124	130	131	137	LPW
		WD	93	13872	14260	14531	14764	11702	12284	12400	12904	Lumens
				149	153	156	159	126	132	133	139	LPW
	FGCL	MD	93	14700	15111	15398	15645	12401	13017	13140	13674	Lumens
				158	162	165	168	133	140	141	147	LPW
	FGCLAT	MD	93	13067	13432	13687	13906	11023	11570	11680	12154	Lumens
				140	144	147	149	118	124	125	131	LPW
		ND	93	12847	13205	13457	13672	10837	11375	11483	11950	Lumens
				138	142	145	147	116	122	123	128	LPW
	WD	93	12928	13290	13542	13759	10906	11448	11556	12026	Lumens	
			139	143	145	148	117	123	124	129	LPW	
	FGFL	MD	93	14301	14701	14980	15220	12064	12663	12783	13303	Lumens
				154	158	161	163	130	136	137	143	LPW
	FGFLAT	MD	93	13662	14044	14311	14540	11525	12097	12212	12708	Lumens
				147	151	154	156	124	130	131	136	LPW
		ND	93	12631	12983	13230	13442	10655	11184	11290	11748	Lumens
				136	139	142	144	114	120	121	126	LPW
		WD	93	12549	12900	13145	13355	10586	11112	11217	11673	Lumens
				135	139	141	143	114	119	120	125	LPW

PERFORMANCE DATA

Lumen Package	Lens	Distribution	Wattage	80CRI				90CRI				
				30K	35K	40K	50K	30K	35K	40K	50K	
18000LM	FACL	MD	114	18324	18836	19195	19502	15458	16226	16379	17045	Lumens
				161	165	168	171	136	142	144	150	LPW
	FAFL	MD	114	16934	17406	17737	18022	14285	14994	15136	15751	Lumens
				149	153	156	158	125	132	133	138	LPW
	FATL	ND	114	16401	16859	17179	17455	13835	14523	14660	15255	Lumens
				144	148	151	153	121	127	129	134	LPW
		WD	114	16650	17115	17440	17719	14045	14743	14882	15487	Lumens
				146	150	153	155	123	129	131	136	LPW
	FGCL	MD	114	17643	18136	18481	18777	14883	15623	15771	16411	Lumens
				155	159	162	165	131	137	138	144	LPW
	FGCLAT	MD	114	15683	16121	16428	16690	13230	13887	14018	14588	Lumens
				138	141	144	146	116	122	123	128	LPW
		ND	114	15418	15850	16151	16409	13007	13653	13783	14342	Lumens
				135	139	142	144	114	120	121	126	LPW
		WD	114	15517	15950	16254	16513	13090	13739	13870	14433	Lumens
				136	140	143	145	115	121	122	127	LPW
	FGFL	MD	114	17164	17644	17979	18267	14479	15199	15342	15966	Lumens
				151	155	158	160	127	133	135	140	LPW
	FGFLAT	MD	114	16397	16855	17176	17451	13833	14519	14657	15253	Lumens
				144	148	151	153	121	127	129	134	LPW
		ND	114	15159	15583	15879	16133	12788	13423	13550	14100	Lumens
				133	137	139	142	112	118	119	124	LPW
		WD	114	15061	15482	15777	16029	12705	13336	13463	14010	Lumens
				132	136	138	141	111	117	118	123	LPW

Lumen Package	Lens	Distribution	Wattage	80CRI				90CRI				
				30K	35K	40K	50K	30K	35K	40K	50K	
24000LM	FACL	MD	148	24385	25066	25543	25952	20571	21592	21797	22682	Lumens
				164	169	172	175	139	146	147	153	LPW
	FAFL	MD	148	22534	23164	23604	23982	19009	19954	20142	20961	Lumens
				152	156	159	162	128	135	136	141	LPW
	FATL	ND	148	21825	22434	22861	23227	18411	19325	19508	20301	Lumens
				147	151	154	157	124	130	132	137	LPW
		WD	148	22156	22775	23209	23580	18691	19619	19804	20609	Lumens
				149	154	157	159	126	132	134	139	LPW
	FGCL	MD	148	23478	24134	24593	24987	19806	20789	20986	21839	Lumens
				158	163	166	169	134	140	142	147	LPW
	FGCLAT	MD	148	20869	21453	21860	22211	17605	18480	18654	19412	Lumens
				141	145	147	150	119	125	126	131	LPW
		ND	148	20518	21091	21492	21836	17308	18168	18340	19086	Lumens
				138	142	145	147	117	123	124	129	LPW
		WD	148	20648	21225	21629	21975	17418	18284	18457	19206	Lumens
				139	143	146	148	117	123	124	130	LPW
	FGFL	MD	148	22841	23479	23926	24309	19268	20225	20417	21246	Lumens
				154	158	161	164	130	136	138	143	LPW
	FGFLAT	MD	148	21821	22430	22857	23222	18407	19322	19504	20297	Lumens
				147	151	154	157	124	130	132	137	LPW
		ND	148	20173	20736	21131	21469	17018	17862	18032	18764	Lumens
				136	140	143	145	115	120	122	127	LPW
		WD	148	20043	20603	20994	21330	16908	17747	17916	18643	Lumens
				135	139	142	144	114	120	121	126	LPW

PERFORMANCE DATA

Lumen Package	Lens	Distribution	Wattage	80CRI				90CRI				
				30K	35K	40K	50K	30K	35K	40K	50K	
30000LM	FACL	MD	191	30387	31236	31830	32339	25634	26907	27162	28265	Lumens
				159	163	167	169	134	141	142	148	LPW
	FAFL	MD	191	28080	28865	29414	29885	23688	24864	25100	26120	Lumens
				147	151	154	156	124	130	131	137	LPW
	FATL	ND	191	27197	27957	28489	28944	22942	24082	24310	25298	Lumens
				142	146	149	151	120	126	127	132	LPW
		WD	191	27610	28381	28921	29384	23291	24447	24679	25682	Lumens
				144	149	151	154	122	128	129	134	LPW
	FGCL	MD	191	29257	30075	30647	31137	24681	25907	26152	27214	Lumens
				153	157	160	163	129	136	137	142	LPW
	FGCLAT	MD	191	26006	26733	27241	27677	21938	23028	23246	24190	Lumens
				136	140	143	145	115	121	122	127	LPW
		ND	191	25568	26282	26783	27211	21569	22640	22854	23783	Lumens
				134	138	140	142	113	119	120	125	LPW
		WD	191	25731	26450	26953	27384	21706	22784	23000	23934	Lumens
				135	138	141	143	114	119	120	125	LPW
	FGFL	MD	191	28463	29258	29815	30292	24011	25203	25442	26476	Lumens
				149	153	156	159	126	132	133	139	LPW
	FGFLAT	MD	191	27192	27951	28483	28938	22938	24077	24305	25293	Lumens
				142	146	149	151	120	126	127	132	LPW
ND		191	25138	25840	26332	26753	21206	22259	22470	23382	Lumens	
			132	135	138	140	111	117	118	122	LPW	
WD		191	24976	25674	26162	26580	21069	22115	22325	23232	Lumens	
			131	134	137	139	110	116	117	122	LPW	

Lumen Package	Lens	Distribution	Wattage	80CRI				90CRI				
				30K	35K	40K	50K	30K	35K	40K	50K	
36000LM	FACL	MD	225	36272	37285	37995	38602	30599	32118	32422	33739	Lumens
				161	166	169	172	136	143	144	150	LPW
	FAFL	MD	225	33519	34455	35111	35672	28276	29680	29961	31178	Lumens
				149	153	156	159	126	132	133	139	LPW
	FATL	ND	225	32464	33371	34005	34550	27385	28746	29018	30197	Lumens
				144	148	151	154	122	128	129	134	LPW
		WD	225	32956	33877	34522	35074	27802	29183	29459	30655	Lumens
				147	151	154	156	124	130	131	137	LPW
	FGCL	MD	225	34923	35899	36582	37167	29460	30924	31216	32485	Lumens
				155	160	163	165	131	137	139	144	LPW
	FGCLAT	MD	225	31043	31910	32517	33037	26187	27487	27748	28875	Lumens
				138	142	145	147	117	122	124	129	LPW
		ND	225	30520	31372	31969	32481	25746	27025	27280	28389	Lumens
				136	139	142	144	114	120	121	126	LPW
		WD	225	30714	31572	32172	32687	25909	27196	27454	28569	Lumens
				137	141	143	146	115	121	122	127	LPW
	FGFL	MD	225	33975	34924	35589	36158	28661	30084	30369	31603	Lumens
				151	155	158	161	127	134	135	140	LPW
	FGFLAT	MD	225	32457	33364	33999	34542	27380	28740	29012	30191	Lumens
				145	149	151	154	122	128	129	134	LPW
ND		225	30006	30844	31431	31934	25313	26570	26821	27911	Lumens	
			133	137	140	142	113	118	119	124	LPW	
WD		225	29813	30646	31229	31728	25149	26398	26648	27731	Lumens	
			133	136	139	141	112	118	119	124	LPW	

PERFORMANCE DATA

Lumen Package	Lens	Distribution	Wattage	80CRI				90CRI				
				30K	35K	40K	50K	30K	35K	40K	50K	
45000LM	FACL	MD	291	45003	46260	47140	47895	37964	39849	40226	41860	Lumens
				155	159	162	165	130	137	138	144	LPW
	FAFL	MD	291	41587	42749	43562	44259	35082	36824	37173	38683	Lumens
				143	147	150	152	120	126	128	133	LPW
	FATL	ND	291	40278	41403	42191	42866	33978	35666	36003	37466	Lumens
				138	142	145	147	117	123	124	129	LPW
		WD	291	40890	42032	42832	43517	34494	36207	36549	38035	Lumens
				140	144	147	149	118	124	126	131	LPW
	FGCL	MD	291	43330	44540	45388	46114	36552	38368	38731	40304	Lumens
				149	153	156	158	126	132	133	139	LPW
	FGCLAT	MD	291	38515	39591	40344	40990	32490	34104	34427	35826	Lumens
				132	136	139	141	112	117	118	123	LPW
		ND	291	37866	38924	39665	40299	31943	33530	33847	35222	Lumens
				130	134	136	138	110	115	116	121	LPW
		WD	291	38107	39172	39917	40555	32146	33743	34062	35446	Lumens
				131	135	137	139	110	116	117	122	LPW
	FGFL	MD	291	42154	43331	44156	44862	35560	37326	37679	39210	Lumens
				145	149	152	154	122	128	129	135	LPW
	FGFLAT	MD	291	40270	41395	42182	42857	33971	35658	35996	37458	Lumens
				138	142	145	147	117	122	124	129	LPW
ND		291	37229	38269	38997	39621	31406	32965	33278	34629	Lumens	
			128	132	134	136	108	113	114	119	LPW	
WD		291	36989	38023	38746	39366	31203	32753	33063	34406	Lumens	
			127	131	133	135	107	112	114	118	LPW	

Lumen Package	Lens	Distribution	Wattage	80CRI				90CRI				
				30K	35K	40K	50K	30K	35K	40K	50K	
50000LM	FACL	MD	328	49970	51365	52342	53180	42153	44247	44665	46480	Lumens
				152	157	160	162	129	135	136	142	LPW
	FAFL	MD	328	46177	47466	48369	49143	38953	40888	41275	42952	Lumens
				141	145	147	150	119	125	126	131	LPW
	FATL	ND	328	44723	45973	46847	47596	37727	39601	39976	41600	Lumens
				136	140	143	145	115	121	122	127	LPW
		WD	328	45402	46670	47558	48319	38300	40202	40583	42231	Lumens
				138	142	145	147	117	123	124	129	LPW
	FGCL	MD	328	48112	49455	50396	51203	40586	42601	43005	44752	Lumens
				147	151	154	156	124	130	131	136	LPW
	FGCLAT	MD	328	42765	43960	44796	45513	36076	37868	38226	39779	Lumens
				130	134	137	139	110	115	117	121	LPW
		ND	328	42045	43220	44042	44747	35468	37230	37582	39109	Lumens
				128	132	134	136	108	113	115	119	LPW
		WD	328	42312	43494	44321	45031	35694	37467	37821	39358	Lumens
				129	133	135	137	109	114	115	120	LPW
	FGFL	MD	328	46805	48113	49028	49813	39484	41445	41837	43537	Lumens
				143	147	149	152	120	126	128	133	LPW
	FGFLAT	MD	328	44715	45963	46838	47587	37720	39593	39968	41592	Lumens
				136	140	143	145	115	121	122	127	LPW
ND		328	41337	42492	43300	43993	34872	36603	36950	38451	Lumens	
			126	130	132	134	106	112	113	117	LPW	
WD		328	41071	42218	43022	43710	34647	36367	36712	38203	Lumens	
			125	129	131	133	106	111	112	116	LPW	

PERFORMANCE DATA

Lumen Package	Lens	Distribution	Wattage	80CRI				90CRI				
				30K	35K	40K	50K	30K	35K	40K	50K	
60000LM	FACL	MD	382	60679	62374	63560	64578	51188	53730	54238	56442	Lumens
				159	163	166	169	134	141	142	148	LPW
	FAFL	MD	382	57924	59542	60675	61645	48863	51290	51775	53879	Lumens
				152	156	159	161	128	134	135	141	LPW
	FATL	ND	382	54308	55825	56888	57798	45813	48089	48544	50516	Lumens
				142	146	149	151	120	126	127	132	LPW
		WD	382	55133	56673	57751	58675	46509	48819	49281	51283	Lumens
				144	148	151	154	122	128	129	134	LPW
	FGCL	MD	382	58423	60055	61197	62176	49284	51732	52222	54343	Lumens
				153	157	160	163	129	135	137	142	LPW
	FGCLAT	MD	382	51931	53382	54397	55267	43808	45983	46419	48305	Lumens
				136	140	142	145	115	120	121	126	LPW
		ND	382	51056	52483	53481	54337	43070	45209	45637	47491	Lumens
				134	137	140	142	113	118	119	124	LPW
		WD	382	51381	52816	53821	54682	43344	45496	45927	47793	Lumens
				134	138	141	143	113	119	120	125	LPW
	FGFL	MD	382	56837	58425	59536	60489	47946	50328	50804	52868	Lumens
				149	153	156	158	126	132	133	138	LPW
	FGFLAT	MD	382	54298	55814	56876	57786	45804	48079	48534	50506	Lumens
				142	146	149	151	120	126	127	132	LPW
		ND	382	50197	51599	52581	53422	42345	44448	44869	46692	Lumens
				131	135	138	140	111	116	117	122	LPW
		WD	382	49873	51267	52242	53078	42072	44162	44580	46391	Lumens
				130	134	137	139	110	116	117	121	LPW

UPLIGHT PERFORMANCE INFORMATION

Lumens		
Uplight	80CRI	90CRI
30K	1710	1353
35K	1787	1481
40K	1838	1532
50K	1812	1506

Impact Resistance (IK Ratings)

Lens	Description	Rating
FACL	Flat clear acrylic lens	IK06
FAFL	Flat frosted acrylic lens	IK06
FATL	Flat textured acrylic lens	IK05
FGCL	Flat clear glass lens	IK07
FGCLAT	Flat clear glass with textured acrylic overlay	IK06
FGFL	Flat frosted glass lens	IK06
FGFLAT	Flat frosted glass with textured acrylic overlay	IK06

LAT TABLE

Ambient	0°C	5°C	10°C	15°C	20°C	25°C	30°C	35°C	40°C	45°C	50°C	55°C	60°C	65°C
Ambient	32°F	41°F	50°F	59°F	68°F	77°F	86°F	95°F	104°F	113°F	122°F	131°F	140°F	149°F
12000LM	1.03	1.02	1.02	1.01	1.01	1.00	0.99	0.99	0.98	0.97	0.97	0.96	0.95	0.94
15000LM	1.03	1.02	1.02	1.01	1.01	1.00	0.99	0.99	0.98	0.97	0.97	0.96	0.95	0.94
18000LM	1.03	1.02	1.02	1.01	1.01	1.00	0.99	0.99	0.98	0.97	0.96	0.96	0.95	0.94
24000LM	1.03	1.03	1.02	1.01	1.01	1.00	0.99	0.99	0.98	0.97	0.96	0.95	0.95	0.94
30000LM	1.03	1.03	1.02	1.01	1.01	1.00	0.99	0.98	0.98	0.97	0.96	0.95	0.94	0.93
36000LM	1.03	1.02	1.02	1.01	1.01	1.00	0.99	0.99	0.98	0.97	0.96	0.96	0.95	0.94
45000LM	1.03	1.03	1.02	1.01	1.01	1.00	0.99	0.99	0.98	0.97	0.96	0.95	0.94	0.93
50000LM	1.03	1.03	1.02	1.01	1.01	1.00	0.99	0.98	0.98	0.97	0.96	0.95		
60000LM	1.04	1.03	1.02	1.01	1.01	1.00	0.99	0.98	0.98	0.97	0.96	0.95		

LUMEN MAINTENANCE

Lumen Package	Ambient Temperature	LED Ts	Current per LED	Hours					
				0	15,000	30,000	45,000	60,000	100,000
12000LM	25	37.2	62.9	1	0.99	0.98	0.97	0.96	0.94
15000LM	25	40.7	80.0	1	0.99	0.98	0.97	0.96	0.94
18000LM	25	44.4	97.5	1	0.99	0.98	0.97	0.96	0.94
24000LM	25	51.2	98.8	1	0.99	0.98	0.97	0.96	0.94
30000LM	25	59.1	126.3	1	0.99	0.98	0.97	0.96	0.93
36000LM	25	47.5	97.5	1	0.99	0.98	0.97	0.96	0.94
45000LM	25	54.4	125.0	1	0.99	0.98	0.97	0.96	0.94
50000LM	25	58.2	140.0	1	0.99	0.98	0.97	0.96	0.93
60000LM	25	64.6	126.3	1	0.99	0.98	0.96	0.95	0.92
12000LM	45	57.2	62.9	1	0.99	0.98	0.97	0.97	0.94
15000LM	45	60.7	80.0	1	0.99	0.98	0.97	0.96	0.94
18000LM	45	64.4	97.5	1	0.99	0.98	0.97	0.96	0.94
24000LM	45	71.2	98.8	1	0.99	0.98	0.97	0.96	0.94
30000LM	45	79.1	126.3	1	0.98	0.96	0.95	0.93	0.88
36000LM	45	67.5	97.5	1	0.99	0.98	0.97	0.96	0.94
45000LM	45	74.4	125.0	1	0.98	0.97	0.95	0.94	0.89
50000LM	40	73.2	140.0	1	0.99	0.97	0.95	0.94	0.90
60000LM	40	79.6	126.3	1	0.98	0.96	0.95	0.93	0.88
12000LM	65	77.2	62.9	1	0.99	0.98	0.97	0.96	0.94
15000LM	65	80.7	80.0	1	0.99	0.98	0.97	0.96	0.94
18000LM	65	84.4	97.5	1	0.99	0.98	0.97	0.96	0.94
24000LM	65	91.2	98.8	1	0.99	0.98	0.96	0.95	0.91
30000LM	65	99.1	126.3	1	0.94	0.88	0.82	0.76	0.63
36000LM	65	87.5	97.5	1	0.99	0.98	0.97	0.96	0.93
45000LM	65	94.4	125.0	1	0.97	0.92	0.88	0.84	0.73
50000LM	55	88.2	140.0	1	0.99	0.96	0.93	0.90	0.84
60000LM	55	94.6	126.3	1	0.97	0.92	0.87	0.83	0.73

PHOTOMETRICS

See www.holophane-distribuidor.com

CHARACTERISTICS

Lumen package	Wattage				Comparable Light Source
	120V	277V	347V	480V	
12000LM	73.12	73.53	71.51	71.28	175W MH, 4-lamp T8 HBF, 2-lamp T5HO
15000LM	93.92	92.88	91.06	90.86	200W MH, 6-lamp T8 NBF
18000LM	112.91	113.66	113.16	113.16	250W MH, 6-lamp T8 HBF, 4-lamp T5HO
24000LM	151.73	148.00	149.44	149.11	400W MH, 6-lamp T5HO
30000LM	195.41	190.83	192.68	191.65	575W MH, 10-lamp T8 HBF
36000LM	225.45	223.25	225.95	225.95	400W MH, 6-lamp T5HO
45000LM	292.59	290.05	288.48	287.55	575W MH, 10-lamp T8 HBF
50000LM	328.78	326.99	324.87	323.48	750W MH, 8-lamp T5HO
60000LM	389.78	380.66	384.34	382.29	875W MH, 10-lamp T5HO

AMBIENT TEMPERATURE RATINGS

Lumens	Suspended	Suspended with Sensors: SBGR, RSBOR, RSBOR EM, SBG BTP, RMSOD, RSBG	Suspended with Controls: NLTAIR2 RPP20 D, NLTAIR2 RPP20 D ER, NLTAIR2 RPP20 D EM, NLTAIR2 RIO, NPP16 D, NPP16 D ER	Surface	Surface with Sensors: SBGR, RSBOR, RSBOR EM, SBG BTP, RMSOD, RSBG	Surface with Controls: NLTAIR2 RPP20 D, NLTAIR2 RPP20 D ER, NLTAIR2 RPP20 D EM, NLTAIR2 RIO, NPP16 D, NPP16 D ER	Up-light	E15WMCPC	IE18W-CPHECW	ETS or Select Controls with ER: NLTAIR2 RMSOD ER or NLTAIR2 RIO ER
12000LM	65	65	65	65	55	55	60	40	35	50
15000LM	65	65	65	65	55	55	60	40	35	50
18000LM	65	65	65	65	55	55	60	40	35	50
24000LM	65	65	65	65	55	55	60	40	35	50
30000LM	65	65	65	65	55	55	60	40	35	50
36000LM	65	65	65	65	55	55	55	30	35	50
45000LM	65	65	65	65	55	55	55	30	35	50
50000LM	55	55	55	55	45	45	55	30	35	40
60000LM	55	55	55	55	45	45	55	30	35	40

Note: Suspended = 12 inches from ceiling minimum

NEMA 4X COMPATIBILITY CHART

(Please note any unpainted exposed hardware or accessories must be stainless steel to meet NEMA 4X rating)

Options	NEMA 4X Rating	
Lumen Package	12000LM	YES
	15000LM	YES
	18000LM	YES
	24000LM	YES
	30000LM	YES
	36000LM	YES
	45000LM	YES
	50000LM	YES
Lens	60000LM	YES
	FAFL	YES
	FAFL	YES
	FATL	YES
	FGCL	YES
	FGCLAT	YES
	FGFL	YES
Distribution	FGFLAT	YES
	MD	YES
	ND	YES
Voltage	WD	YES
	120	YES
	208	YES
	240	YES
	277	YES
	277X	YES
	347	YES
	347X	YES
	480	YES
	480X	YES
HVOLT	YES	
MVOLT	YES	
XVOLT	YES	

Options	NEMA 4X Rating	
Driver	GZ10	YES
Color Temperature	30K	YES
	35K	YES
	40K	YES
CRI	50K	YES
	80CRI	YES
Battery Pack	90CRI	YES
	E15WMCPC	NO
	IE18WCPHECW	NO
	IE20WCPHER	NO
Mounting	IE30WCPHER	NO
	NDT	NO
	NR	NO
	PM	YES
	QD	NO
	QR	NO
	SUSPXXX	NO
SUSPXXSS	YES	
Transfer Device	ETS	YES
Hook	HKMW	YES
Modular Wiring	OCS	NO
	OCS4C	NO
Gasket	NSG	YES
	SBGR	NO
	SBG BTP	NO
	NLTAIR2 RMSOD	NO
	NLTAIR2 RIO	YES
	NLTAIR2 RPP20	NO
	NPP16 D	NO
	NLTAIR2 RSBG	YES
	NLTAIR2 RSBOR	NO

Options	NEMA 4X Rating	
Cordsets	Damp listed cordsets: CP5B, CPTL, CNP, CNP4C, CNP5C, CNP5CD	NO
	Wet listed cordsets: CPTLWL, CNPWL, CNP4CWL, CNP5CWL, CNP5CDWL	YES
Options	AO	YES
	CR	YES
	UPL	NO
	TILT	YES
	OUTEND	YES
	SCKXX	NO
	SCSSXX	YES
	STSS	REQUIRED
	WGXX	NO
	WGXXS	YES
Finish	DBLXD	YES
	DBXD	YES
	DGRXD	YES
	DGXD	YES
	DNXD	YES
	DWAM	YES
Accessories	DWHXD	YES
	PHVSMB	YES
	PHVSMBBP	YES
	PHVAC XIN	NO
	PHVCHAIN XIN	NO
	PHVACSS XIN	YES
	PHVCHAINSS XIN	YES

ADJUSTABLE OUTPUT (AO) PERFORMANCE

	AO Position	% Lumen Output	% Wattage
12000LM	1	18%	21%
	2	31%	33%
	3	43%	44%
	4	56%	56%
	5	69%	69%
	6	81%	81%
	7	94%	94%
	8	100%	100%
15000LM	1	18%	20%
	2	31%	31%
	3	44%	43%
	4	56%	55%
	5	69%	68%
	6	82%	80%
	7	94%	93%
	8	100%	100%
18000LM	1	18%	18%
	2	31%	30%
	3	44%	42%
	4	57%	54%
	5	69%	67%
	6	82%	80%
	7	94%	93%
	8	100%	100%
24000LM	1	18%	18%
	2	31%	30%
	3	44%	42%
	4	57%	54%
	5	70%	67%
	6	82%	80%
	7	94%	93%
	8	100%	100%
30000LM	1	18%	18%
	2	31%	29%
	3	45%	42%
	4	58%	54%
	5	70%	67%
	6	82%	80%
	7	94%	93%
	8	100%	100%

	AO Position	% Lumen Output	% Wattage
36000LM	1	18%	19%
	2	31%	31%
	3	45%	43%
	4	57%	55%
	5	70%	68%
	6	82%	81%
	7	94%	94%
	8	100%	100%
45000LM	1	18%	18%
	2	32%	30%
	3	46%	42%
	4	58%	55%
	5	71%	67%
	6	83%	80%
	7	94%	93%
	8	100%	100%
50000LM	1	19%	18%
	2	33%	30%
	3	46%	42%
	4	59%	54%
	5	72%	67%
	6	83%	80%
	7	95%	93%
	8	100%	100%
60000LM	1	19%	18%
	2	33%	30%
	3	47%	42%
	4	60%	55%
	5	72%	67%
	6	84%	80%
	7	95%	93%
	8	100%	100%

EMERGENCY LUMEN OUTPUT

How to Estimate Delivered Lumens in Emergency Mode

Use the formula below to estimate the delivered lumens in emergency mode

Delivered Lumens = P x LPW

P = Output power of emergency driver.

LPW = Lumen per watt rating of the luminaire. (See charts on Pages 9-11)

The LPW rating is also available at [Designlight Consortium](#).

P = 15W for E15WMCPE

P = 18W for IE18WCPHER

P = 20W for IE20WCPHER

P = 30W for IE30WCPHER

EMERGENCY LUMEN OUTPUT EXAMPLE - 30 WATT BATTERY

Approximate Luminaire Efficacy	Approximate Lumens at 1 Minute	Approximate Lumens at 45 Minutes	Approximate Lumens at 90 Minutes
100 LPW	3000	3000	3000
110 LPW	3300	3300	3300
120 LPW	3600	3600	3600
130 LPW	3900	3900	3900
140 LPW	4200	4200	4200
150 LPW	4500	4500	4500

EMERGENCY OPERATION SCENARIOS

	Standard Sensor or Control Device (commonly used with Battery Pack Option)	EM Solution (Used when switching single incoming hot to generator power)	ER Solution (Used when switching to generator power via a 2nd hot lead)
Emergency Lighting Strategy	*Luminaire-integral battery pack and emergency driver *Generator transfer device	*Diesel genset emergency backup supply *Slow transfer inverter (>30ms) emergency backup supply	*Fast Transfer (FT) inverter emergency backup supply *Uninterruptible Power System (UPS) emergency
Recommended Control Device Option	*Not specifically listed for emergency use. *Wired such that a separately listed emergency device provides emergency lighting power and/or control during loss of normal power scenarios.	*UL924 listed *Utilizes Power Interruption Detection to initiate lighting control override during loss of normal power scenarios. *Requires power interruption > 30 ms to luminaire during transfer to emergency backup supply.	*UL924 listed *Utilizes dedicated Normal Power sensing leads to initiate lighting control override during loss of normal power scenarios. *Requires connections to both emergency and normal power circuits.

	Function	Sequence of Operations	Standard Sensor or Control Device	EM Solution (Generator 1 Hot)	ER Solution (Generator 2 Hots)
Standalone Sensors (Individual control per fixture)	On/Off	Lights turn on when motion detected; Upon vacancy, Lights turn off after timeout.	SBGR6	SBOR6 EM	SBGR6 ER
	Dimming	Lights turn on when motion is detected; Upon vacancy lights dim to low trim level after timeout.	SBGR6 D	SBOR6 D EM	SBGR6 D ER
	Photocell	Lights turn on when presence is detected unless ambient light level is above set point; Upon vacancy, the lights turn off after timeout; If ambient light levels in the space exceed the photocell set point, lights will turn off even during occupancy.	SBGR6 P	SBOR6 P EM	SBGR6 P ER
	Dimming + Photocell	Lights turn on when presence is detected unless ambient light level is above set point; Upon vacancy, the lights turn off after timeout; During occupancy, automatically raise and lower electric light level to maintain set point and turn off, depending on ambient light.	SBGR6 ADC	SBOR6 ODP EM	SBGR6 ADC ER
Note: For 360° integral Low Mount sensors, replace "6" in nomenclature with "10". Ex. SBGR10 P. EM sensors are KO-mounted. All others integral.					

	Function	Sequence of Operations	Standard Sensor or Control Device	EM Solution (Generator 1 Hot)	ER Solution (Generator 2 Hots)
Bluetooth Sensors (Configurable via mobile Bluetooth app)	On/Off	Lights turn on when motion detected; Upon vacancy, Lights turn off after timeout.	SBG6 OCC BTP	-	SBG6 OCC BTP ER
	High/Low (Off)	Lights turn on to high trim when presence is detected; Upon vacancy, the lights dim to low trim after timeout and turn off after "Dim To Off" Time Delay.	SBG6 HL BTP	-	SBG6 HL BTP ER
	Dimming + Photocell	Lights turn on when presence is detected unless ambient light level is above set point; Upon vacancy, the lights turn off after timeout; During occupancy, automatically raise and lower electric light level to maintain set point and turn off, depending on ambient light.	SBG6 ADC BTP	-	SBG6 ADC BTP ER
	Dimming + Photocell + High/Low (Off)	Lights turn on when presence is detected unless ambient light level is above set point; Upon vacancy, lights dim to low trim after timeout and remain at low trim until presence is detected; Automatically raise and lower electric light level to maintain set point during occupancy and during vacancy keeps lights at low trim if ambient light is not sufficient.	SBG6 ANL BTP	-	SBG6 ANL BTP ER
Note: For 360° integral Low Mount sensors, replace "6" in nomenclature with "10". Ex. SBG10 HL BTP.					

	Function	Sequence of Operations	Standard Sensor or Control Device	EM Solution (Generator 1 Hot)	ER Solution (Generator 2 Hots)
nLight AIR Wireless Sensors	Dimming + Photocell + Occupancy	Wirelessly programmable network sensor - On/Off control with dimming, occupancy detection, and daylight harvesting	NLTAIR2 RMSOD45	NLTAIR2 RSOR6 EM	NLTAIR2 RMSOD45 ER
	Dimming	Wirelessly programmable On/Off control with dimming - no sensor	NLTAIR2 RIO	NLTAIR2 RPP20 D EM	NLTAIR2 RIO ER
Note: For 360° integral Low Mount sensors, replace "45" in nomenclature with "7". For high Aisle Mount sensors, replace "45" with "45A". Ex: NLTAIR2 RMSOD45A EM sensors/controls are KO-mounted. All others integral. RPP20 D EM de-rates fixture to Damp Location.					

***All ER solutions include standard sensor or control device with a factory-installed [Iota ETS device](#).**

COMPONENTS & OPTIONS DATA



HKMW (PF-291) Hook



OCS Reloc One Pass Drop Cable



AO Adjustable Output Module



SBGR Sensor



nLight Air RSBOR Sensor



nLight Air RPP20 D Power Pack



nLight Air RPP20 D EM and ER Power Pack



SBGR Sensor and SMHB Smathub BTP Control Module



nLight Air RMSOD Sensor



nLight Air RSBG Sensor



nLight Air RIO Control Module



nLight Wired NPP16 D Power Pack



nLight Wired NPP16 D ER Power Pack