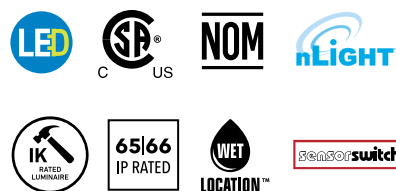


Catalog Number	
Notes	Type

HOLOBAY™

LED High Bay
Wet Location Listed
HOL02 (Large Optical)



Description

The low profile HOLOBAY™ LED is the next generation of robust round high bays for the most demanding environments. Designed with features and unmatched electrical, environmental and thermal ratings while providing superior efficiency, visual comfort, exceptional illumination and ease of installation.

Optics

- Prismatic borosilicate glass maintains the highest levels of luminosity over time.
- Glass doesn't fade, discolor, or otherwise degrade in harsh environments.
- Five distributions available to achieve results from any mounting height.
- Prismatic optics combined with high efficiency LEDs achieve maximum spacing and superior uniformity.
- Optional upright module provides 12-15% more output.
- Optics can be installed facing down or inverted (IVO)
- Certain airborne contaminants may adversely affect the functioning of LEDs and other electronic components, depending on various factors such as concentrations of the contaminants, ventilation, and temperature at the end-user location. [Click here for a list of substances that may not be suitable for interaction with LEDs and other electronic components.](#)

Mechanical

- Robust A380 cast aluminum housing with low copper content (3.5%) withstands hot and dirty environments.
- Super durable TGIC thermoset powder coat finish coupled with corrosion resistant primer is a five-stage pre-treating and painting process that yields over 5,000 hours salt rating per ASTM B117.
- Stainless steel hardware (410SS).
- Hinged electrical enclosure for easy access to components.
- Includes 3 additional 3/4" NPT hubs (uses A356.0-T6 aluminum plugs) for wiring access in addition to the center pendant opening.
- Standard non-silicone gasket (EPDM).

Installation

- Pendant Mount (PM, QD, NDT), 3/4" NPT hub
- Surface Mount (QD, NDT, YK90)
- Hook Mount (7 hook/loop options)
- Universal Power Hook (UPH/PHCB)
- Suspended Mount (Aircraft Cable: AC or ACSS)
- Wall Mount (072331, 072332)
- Twin Arm Mount (TA, HOLONARM)
- Retrofit (NR, QR), existing QDH or NDT top required

Typical Applications

- Airplane Hanger
- Athletic Facility
- Automotive
- Foundry
- Heavy Industrial
- Large Indoor
- Manufacturing
- Natatorium
- Pulp & Paper Mill
- Retail
- Steel Mill
- Warehouse

Electrical

- MVOLT (120-277V), Thermally protected, resetting, Class P, UL listed, CSA certified driver. (all lumen packages)
- HVOLT (347-480V), Thermally protected, resetting, Class P, UL listed, CSA certified driver. (100000LM only)
- XVOLT (277-480V) is a robust driver solution designed to assist with power quality issues and a dropped neutral in 277V input as derived from 480V Wye. (35000LM-90000LM only)
- Fault-tolerant LED light engine continues to provide light even in the failure of one LED.
- FCC Title 47, Part 15, Subpart A Compliant.
- 0-10V Dimming driver is standard, dims to 10%.
- 20 kV/10kA surge rated per ANSI C82.77-5-2015 is standard.
- Sulfur robust light engine is standard ‡

Listings

- CSA Certified to meet US and Canadian standards
- NOM Certified
- Suitable for use in wet locations
- -40°F (-40°C) to 158°F (70°C) ([see chart on page 6](#))
- 1G rated per ANSI C136.31
- IP65, IP66 rated per IEC60529
- NEMA 4X rated

Warranty

5-year limited warranty. This is the only warranty provided and no other statements in this specification sheet create any warranty of any kind. All other express and implied warranties are disclaimed. Complete warranty terms located at: www.acuitybrands.com/support/warranty/terms-and-conditions

NOTE: Actual performance may differ as a result of end-user environment and application. All values are design or typical values, measured under laboratory conditions at 25 °C.

‡ Upgraded LED boards with sulfur robust solution does not change the warranty and standard terms apply which will not cover any damage due to exposure from sulfur.

Dimensions: Inches (millimeters) unless otherwise noted.

Diameter: 23.2in (589.28mm)
Height: 7.5in (190.5mm)
Weight: 45lbs (20.41kg)
Pallet Size: 12 fixtures per pallet

ORDERING INFORMATION

Example: HOLO2 6000LM MD MVOLT 35K 80CRI PM NLTAIR2 HK646 MISC DWHXD

Series	Lumens	Distribution	Voltage	Color Temperature	CRI	Mounting						
HOLO2 Large Optical	35000LM	35,000 Nominal Lumens	AD	Aisle Glass	MVOLT	120-277VAC, 50/60 Hz	30K	3000K CCT	70CRI	70 CRI	PM	Pendant Mount
	40000LM	40,000 Nominal Lumens	ADFR	Aisle Frosted Glass	120	120VAC, 50/60 Hz	35K	3500K CCT	80CRI	80 CRI	QD	Quick Disconnect †
	45000LM	45,000 Nominal Lumens	FD	Focus Glass	208	208VAC, 50/60 Hz	40K	4000K CCT	90CRI	90 CRI	QR	Quick Disconnect Retrofit †
	50000LM	50,000 Nominal Lumens	FDFR	Focus Frosted Glass	240	240VAC, 50/60 Hz	50K	5000K CCT			NDT	Non-Disconnect Thru-Wire †
	60000LM	60,000 Nominal Lumens	FSMG	Focus Smooth Glass	277	277VAC, 50/60 Hz					NR	Non-Disconnect Thru-Wire Retrofit †
	70000LM	70,000 Nominal Lumens	MD	Medium Glass	HVOLT	347-480VAC, 50/60 Hz †					YK90	Yoke Mount (3045S)
	80000LM	80,000 Nominal Lumens	MDFR	Medium Frosted Glass	347	347VAC, 50/60 Hz †						
	90000LM	90,000 Nominal Lumens	ND	Narrow Glass	480	480VAC, 50/60 Hz †						
	100000LM	100,000 Nominal Lumens	NDFR	Narrow Frosted Glass	XVOLT	277-480VAC, 50/60 Hz †						
			WD	Wide Glass	277X	277VAC, 50/60 Hz †						
			WDFR	Wide Frosted Glass	347X	347VAC, 50/60 Hz †						
					480X	480VAC, 50/60 Hz †						
					125VDC	125V, DC Driver †						
				250VDC	250V, DC Driver †							

Options		Primary Finish	
<p>Emergency:</p> <p>ETS Emergency lighting control device for UL924 operation when using auxiliary generator or central inverter †</p> <p>IE20WCPHER 20W Emergency battery pack, constant power, title 20 compliant, UL924 compliant, self-diagnostic, (0°), remote mounted, damp location (120-480V) †</p> <p>IE30WCPHER 30W Emergency battery pack, constant power, title 20 compliant, UL924 compliant, self-diagnostic, (0°), remote mounted, damp location (120-480V) †</p> <p>EMR Red emergency indicator, center cover plate painted red</p> <p>2470P 24/7 Operation with emergency battery and 3 conductor cord or plug †</p> <p>Surge Protection: †</p> <p>(blank) Standard 20kV/10kA surge protection based on voltage selected (120-480V)</p> <p>Sensor Switch Embedded Controls:</p> <p>SBG6 360° High Mount Sensor, (15-30' mounting heights, more options available), on/off occupancy</p> <p>SBG10 OCC BTP 360° Low Mount Sensor, (8-15' mounting heights, more options available), on/off occupancy, utilizes smart hub for Bluetooth® programmability †</p> <p>See chart for additional control options</p> <p>nLight® Embedded Controls:</p> <p>NLTAIR2 Embedded wireless controls by nLight</p> <p>NLTAIR2 APIR Embedded wireless controls by nLight, Passive Infrared Occ sensor with auto-dimming photocell</p> <p>NLTAIR2K0 Embedded wireless controls by nLight, control mounted external to the luminaire via a KO †</p> <p>NLTAIR2K0X2 Embedded wireless controls by nLight, 2 separate controls mounted external to the luminaire via a KO for independent control of uplight and downlight †</p> <p>NLIGHTK0 Embedded wired controls by nLight, control mounted external to the luminaire via a KO †</p> <p>NLIGHTK0X2 Embedded wired controls by nLight, 2 separate controls mounted external to the luminaire via a KO for independent control of uplight and downlight †</p> <p>See chart for additional control options</p>		<p>Cord Sets:</p> <p>CNP16W Cord, no plug, 16 gauge, 3 conductors, white, wet or damp locations, 6 feet, other lengths available</p> <p>CNP164CW Cord, no plug, 16 gauge, 4 conductors for use with EM battery, white, wet or damp locations, 6 feet, other lengths available †</p> <p>CNP165CW Cord, no plug, 16 gauge, 5 conductors for use with ER controls or ETS device with 2 power sources, white, wet or damp locations, 6 feet, other lengths available †</p> <p>CNP165CDW Cord, no plug, 16 gauge, 5 conductors for 0-10V dimming, white, wet or damp locations, 6 feet, other lengths available †</p> <p>CPTL16W Cord with NEMA twist lock 15 amp plug, 16 gauge, white, damp location, 6 feet, other lengths available</p> <p>CPTL16WWL Cord with NEMA twist lock 15 amp plug, 16 gauge, white, wet location, 6 feet, other lengths available</p> <p>CPTL20A16W Cord with NEMA twist lock 20 amp plug, 16 gauge, white, damp location, 6 feet, other lengths available</p> <p>CPTL20A16WWL Cord with NEMA twist lock 20 amp plug, 16 gauge, white, wet location, 6 feet, other lengths available</p> <p>CPSB16W Cord with NEMA straight blade 15 amp plug, white, damp location, 6 feet, other lengths available</p> <p>CMCMBH16YWLL Cord with Brad Mini Change® male connector, non-metallic coupling nut, 3 pole, 16 gauge, yellow, wet location, 6 feet, other lengths available †</p> <p>MCRMBH16WL Receptacle with Brad Mini Change® male connector, stainless steel coupling nut, 3 pole, 16 gauge leads, wet location</p> <p>See chart for additional cordset options</p> <p>Reloc®:</p> <p>OCS Reloc® One Pass® circuit selector system drop, 18 gauge, 3 conductors, 6 feet, other lengths available †</p> <p>OCS4C Reloc® One Pass® circuit selector system drop, 18-gauge, 4 conductors, for use with EM battery, 6 feet, other lengths available †</p> <p>See chart for additional Reloc® options</p> <p>Accessory Mounting Options:</p> <p>AC120 Galvanized aircraft cable, 120in or 10ft long, other lengths available (ships as pair) †</p> <p>ACSS240 Stainless steel aircraft cable, 240in or 20ft long, other lengths available (ships as pair) †</p> <p>072331 Wall mount arm for a single luminaire †</p> <p>072332 Wall mount arm for two luminaires †</p> <p>H72 3/4" Stem, 72in or 6ft long, other lengths available †</p> <p>TA Twin arm †</p> <p>See chart for additional accessory mounting options</p>	
<p>Universal Power Hook Cordsets and Hangers:</p> <p>PHCB Cord, plug and loop assembly for use with UPH power hooks (120-347V) †</p> <p>PHCBL8480 Cord, plug and loop assembly for use with UPH power hooks (480V) †</p> <p>UPH35 Universal power hook for use with PHCB assembly, thru-wire surface mount †</p> <p>UPH36 Universal power hook for use with PHCB assembly, 3/4" pendant mount †</p> <p>Hooks and Loops: †</p> <p>HK646 Wet location solid hook, 3/4" male (PF-646), zinc plated iron †</p> <p>HK646SS Wet location solid hook, 3/4" male (PF-646SS), 316 stainless steel †</p> <p>HKM455 Damp location safety hook, 3/4" male (PF-455), aluminum</p> <p>HKMAR Damp location anti-rotational hook, 3/4" male (PF-129), zinc plated iron</p> <p>HKMD Damp location safety hook, 3/4" male (PF-121-A), zinc plated iron</p> <p>HKMW Wet location gasketed hook, 3/4" male (PF-291), zinc plated iron</p> <p>LPMD Damp location loop, 3/4" male (PF-105), zinc plated iron</p> <p>Other Options:</p> <p>2PA Safety chain factory attached to two points on the luminaire †</p> <p>AO Adjustable output dimming †</p> <p>IVO Inverted optical assembly</p> <p>SCSS72 Stainless steel safety chain factory installed, 72in or 6ft long, other lengths available †</p> <p>UPL Uplight †</p> <p>WGX Factory installed zinc plated wire guard</p> <p>MISC Mex</p>		<p>DBXD Super durable corrosion resistant black</p> <p>DGXD Super durable corrosion resistant grey</p> <p>DWHXD Super durable corrosion resistant white</p> <p>DNXD Super durable corrosion resistant satin nickel</p> <p>DGRXD Super durable corrosion resistant graphite</p>	

Option Value Ordering Restrictions & Notes	
Option value	Restriction
072331, 072332	Finish will match luminaire. Shipped separately. Not available with yoke mount (YK90), stem (H72), any cordset that includes a plug (CPTL16, CPTL20A16, CPSB16, CMCMBH16YWL, MCRMBH16WL), modular wiring (OCS, OCS4C), UPH cordset (PHCB, PHCBL8480) or a hook or loop (HK646, HK646SS, HKM455, HKMAR, HKMD, HKMW, LPMD), aircraft cable (AC, ACSS), twin arm, (TA).
125VDC, 250VDC	Not available with 100000LM, SBG BTP sensors, ETS, ER controls, EM batteries (IE20WCPHER, IE30WCPHER), Uplight (UPL).
2470P	Required when an EM battery and a 3 conductor cordset or RELOC cable or QD, QR mounting or PHCB UPH cordset is selected. The driver and EM battery power inputs will be tied together and the fixture will be not be able to be turned off without controls. When ordered with a cordset that includes a plug, the max cord length will be 3 feet.
277X, 347X, 480X	Not available with 100000LM.
2PA	Requires SCSS option called out. 2PA = second point of attachment and SCSS = overall length of the safety chain. Example: SCSS72 2PA = 72in or 6ft of SS safety chain attached to two points on the luminaire.
347, 480	Available with 100000LM only.
AC120	Available in 120 or 240 inch lengths. Can be shortened in the field as necessary. Example: AC240 = 240in or 20ft long. Not available with wall mount arm (072331, 072332), UPH cordsets (PHCB, PHCBL8480), yoke mount (YK90), Stem (H72) or twin arm (TA).
ACSS240	Available in 120 or 240 inch lengths. Can be shortened in the field as necessary. Example: ACSS120 = 120in or 10ft long. Not available with UPH cordsets (PHCB, PHCBL8480), yoke mount (YK90), stem (H72) or twin arm (TA).
AO	Not available with Sensor Switch embedded dimming controls, nLight embedded controls, 5 conductor dual voltage (CNP165C) or 5 conductor dimming (CNP165CD) cordsets. Available with non-dimming Sensor Switch embedded controls (SBG6 or SBG10; occupancy only).
CMCMBH16YWL	Available in 6 or 12 feet lengths.
CNP164CW	Available with EM battery only (IE20WCPHER, IE30WCPHER).
CNP165CDW	Not available with EM Batteries (IE20WCPHER, IE30WCPHER), ETS, AO, Sensor Switch embedded dimming controls, nLight embedded controls. Available with non-dimming Sensor Switch embedded controls (SBG6 or SBG10; occupancy only).
CNP165CW	Available with ETS or ER controls only.
ETS	Not available with EM batteries (IE20WCPHER, IE30WCPHER), EM or ER controls, QD, QR mounting, Reloc (OCS, OCS4C), UPH Cordset (PHCB, PHCBL8480), 120-277V only. Available with a 5 conductor dual voltage cordset (CNP165C), but not required. For 35000LM-60000LM, an IOTA ETS DR will be used and a base fixture will be wet location rated. For 70000LM-100000LM, an IOTA ETS 20 DR will be externally mounted and the fixture will be damp location rated.
H72	Damp location rated. Finish will match luminaire. Available in 18, 24, 36, 48, 60, 72, 96 inch lengths. Shipped separately as STEM H72. Requires PM, QD or NDT mounting. Not available with aircraft cable (AC, ACSS), twin arm (TA), YK90, any cordset that includes a plug (CPTL16, CPTL20A16, CPSB16, CMCMBH16YWL, MCRMBH16WL), modular wiring (OCS, OCS4C), UPH cordsets (PHCB, PHCBL8480) or a hook or loop (HK646, HK646SS, HKM455, HKMAR, HKMD, HKMW, LPMD).
HK646, HK646SS	Solid hook and no opening available for cord or input wiring. Input wiring or cordset will need to be routed to extra opening on top of the electrical enclosure. PM only. Not available with quick disconnect (QD, QR) non-disconnect thru-wire (NDT, NR) or yoke mount (YK90).
Hooks and Loops	Available for field or factory installation. PM mounting required. Field and factory installable hooks and loops share the same nomenclature. Example: HKMAR. This can be ordered as factory installed by including in the fixture nomenclature or can be ordered separately. All hooks and loops shown require a 3/4" threaded opening.
HVOLT	Available with 100000LM only.
IE20WCPHER	Remote mounted and damp location rated. Available with all lumen packages. Available with 120-480V. Available with 4 conductor (CNP164C) cordsets. Also available with 3 conductor (CNP16) cordsets or a cordset with a plug (CPTL16, CPTL20A16). Plug requires 2470P option with a max length of 3ft. Test switch and supply power input located in a remote junction box between battery and luminaire. Utilizes IOTA ILBLP CP20 HE SD HV S for 120-277V and IOTA ILBHI CP20 HE SD HV S for 347-480V batteries.
IE30WCPHER	Remote mounted and damp location rated. Available with all lumen packages. Available with 120-480V. Available with 4 conductor (CNP164C) cordsets. Also available with 3 conductor (CNP16) cordsets or a cordset with a plug (CPTL16, CPTL20A16). Plug requires 2470P option with a max length of 3ft. Test switch and supply power input located in a remote junction box between battery and luminaire. Utilizes IOTA ILBLP CP30 HE SD HV S for 120-277V and IOTA ILBHI CP30 HE SD HV S for 347-480V batteries.
NDT	Damp location rated. The NDT (non-disconnect thru-wiring) system is made up of 2 parts. The top portion is removable and is meant to be installed in the ceiling. The bottom portion is factory installed to the fixture. The 2 part junction box used on top of the fixture will be empty. Not available with twin arm (TA), hooks and loops (HK646, HK646SS, HKM455, HKMAR, HKMD, HKMW, LPMD), UPH cordsets (PHCB, PHCBL8480), modular wiring (OCS, OCS4C) or any other cordset.
NLIGHTKO	Damp location rated. Will be mounted externally on an available opening on top the luminaire. 120-347V only.
NLIGHTKOX2	Damp location rated. Will be mounted externally on an available opening on top the luminaire. 120-347V only. Uplight (UPL) option required.
NLTAIR2KO	Damp location rated. Will be mounted externally on an available opening on top the luminaire. Available with 120-480V.
NLTAIR2KOX2	Damp location rated. Will be mounted externally on an available opening on top the luminaire. Available with 120-480V. Uplight (UPL) option required.
NR	Damp location rated. Ordering this option assumes the top portion of the NDT option is already installed. This is a for retrofit applications only. Not available with wall mount arm (072331, 072332), stems (H72), twin arm (TA), a hooks or loop (HK646, HK646SS, HKM455, HKMAR, HKMD, HKMW, LPMD), UPH cordsets (PHCB, PHCBL8480), modular wiring (OCS, OCS4C) or any other cordset.
OCS	Available in 6, 10, 15, 20, 25 feet lengths. Example: OCS10FT = 10ft long. Dry location rated. Not available with quick disconnect (QD, QR) non-disconnect thru-wire (NDT, NR), wall mount arm (072331, 072332), stems (H72), or ETS and ER controls. Must Specify voltage.
OCS4C	Available in 6, 10, 15, 20, 25 feet lengths. Example OCS4C20FT = 20ft long. Dry location rated. Available with EM batteries (IE07WCPHECW, IE18WCPHECW, IE20WCPHER, IE30WCPHER) only. Not available with quick disconnect (QD, QR) non-disconnect thru-wire (NDT, NR), wall mount arm (072331), stems (H72), or ETS and ER controls. Available with 120 or 277V only.
PHCB	Damp location rated. Must specify voltage. UPH accessory required. Includes 2ft long, 16 gauge cord, non NEMA twist lock plug and LPMD loop. Not available with wall mount arm (072331, 072332), aircraft cable (AC120, ACSS240), ETS or ER controls, stem (H72), a hook or loop (HK646, HK646SS, HKM455, HKMAR, HKMD, HKMW, LPMD), quick disconnect (QD, QR) non-disconnect thru-wire (NDT, NR), yoke mount (YK90), modular wiring (OCS, OCS4C) or any other cordset.
PHCBL8480	Damp location rated. Available with 480V only. UPH accessory required. Includes 2ft long, 16 gauge cord, NEMA L8-15P twist lock plug and LPMD loop. Not available with wall mount arm (072331, 072332), aircraft cable (AC120, ACSS240), ETS or ER controls, stem (H72), a hook or loop (HK646, HK646SS, HKM455, HKMAR, HKMD, HKMW, LPMD), quick disconnect (QD, QR) non-disconnect thru-wire (NDT, NR), yoke mount (YK90), modular wiring (OCS, OCS4C) or any other cordset.
QD	Damp location rated. The QD (quick disconnect) system is made up of 2 parts. The top portion "QDH" ships separately to be installed in the ceiling. The Bottom portion is factory installed to the fixture. The 2 part quick disconnect will include components to allow voltage to pass between the top and bottom portions. Not available with twin arm (TA), hooks and loops (HK646, HK646SS, HKM455, HKMAR, HKMD, HKMW, LPMD), UPH cordsets (PHCB, PHCBL8480), modular wiring (OCS, OCS4C) or any other cordset.
QR	Damp location rated. Ordering this option assumes the top portion of the QD option (QDH) is already installed. This is a for retrofit applications only. Not available with wall mount arm (072331, 072332), stems (H72), twin arm (TA), hooks and loops (HK646, HK646SS, HKM455, HKMAR, HKMD, HKMW, LPMD), UPH cordsets (PHCB, PHCBL8480), modular wiring (OCS, OCS4C) or any other cordset.
SBG10 OCC BTP	Not available with 125VDC or 250VDC (any lumen package) or 70000LM-100000LM (any voltage).
SCSS72	Available in 36, 72, 120, 144 and 240 inch lengths. Example: SCSS120 = 120in or 10ft long.
Surge Protection	20kV/10kA will not be specified in the nomenclature.
TA	Damp location rated. Twin arm allows for 2 luminaires to be mounted to a single hook. Will break out with (2) PM luminaires with 3' cords, (1) twin arm and (1) hook or loop. To be assembled in the field. Not available with aircraft cable (AC120, ACSS120), wall mount arm (072331, 072332), stems (H72), any cordset that includes a plug (CPTL16, CPTL20A16, CPSB16, CMCMBH16YWL, MCRMBH16WL), yoke mount (YK90), quick disconnect (QD, QR), non-disconnect thru-wire (NDT, NR).
UPH35, UPH36	Damp location rated. Must specify voltage. PHCB option required. Not available with wall mount arm (072331, 072332), aircraft cable (AC120, ACSS240), ETS or ER controls, stem (H72), a hook or loop (HK646, HK646SS, HKM455, HKMAR, HKMD, HKMW, LPMD), quick disconnect (QD, QR) non-disconnect thru-wire (NDT, NR), yoke mount (YK90), modular wiring (OCS, OCS4C) or any other cordset.
Uplight	Damp location rated. 120-277V only. Not available with 125VDC or 250VDC (any lumen package) or 70000LM-100000LM (any voltage).
XVOLT	Not available with 100000LM.

ADDITIONAL CORDSET OPTIONS

Plug Option	Plug Type	Amperage	Gauge	# of conductors	Color	Location	Length
CNP Cord only	(blank) No plug option (for cord only option)	(blank) 15 amps	16 16 gauge	(blank) 3 conductors	(blank) Black	(blank) Damp	(blank) 6 feet
CP Cord with plug		20A 20 amps		4C 4 conductors (for use with EM battery)	W White Y Yellow ‡	WL Wet ‡	3FT 3 feet 10FT 10 feet 12FT 12 feet
CMC Cord with mini change Plug ‡	TL Twist lock SB Straight blade ‡			5C 5 conductors (for use with ETS or ER controls)			15FT 15 feet 20FT 20 feet 25FT 25 feet 30FT 30 feet
RMC Mini change receptacle	MBH Male Brad Harrison			5CD 5 conductors (for use with 0-10V dimming)			

Notes ‡	
CMC	Available in 6ft or 12ft lengths only.
SB	Not available with WL.
WL	Not available with SB.
Y	Available with CMC or RMC only.

NEMA PLUG CONFIGURATIONS

Voltage	Straight Blade	15A Twist Lock	20A Twist Lock
MVOLT	NA	NA	NA
120	5-15P	L5-15P	L5-20P
208	NA	L6-15P	L6-20P
240	NA	L6-15P	L6-20P
277	7-15P	L7-15P	L7-20P
HVOLT	NA	NA	NA
347	NA	NA	L24-20P
480	NA	NA	L8-20P
XVOLT	NA	NA	NA
277X	NA	L7-15P	L7-20P
347X	NA	NA	L24-20P
480X	NA	NA	L8-20P



Example: OCS10

Part Number	Length
OCS (3) 18 AWG conductors, including ground	(blank) 6 feet
OCS4C (4) 18 AWG conductors, including ground, for use with EM batteries	10 10 feet 15 15 feet 20 20 feet 25 25 feet

ACCESSORIES

AIRCRAFT CABLE OPTIONS Example: HOLOAC 72IN

Part Number	Length
HOLOAC ‡ Galvanized aircraft cable	120IN 120in or 10ft
HOLOACSS ‡ Stainless steel aircraft cable	240IN 240in or 20ft

WALL MOUNT ARM OPTIONS Example: 072331 DGXD CR

Series	Finish	Primer
072331 ‡ (1) luminaire	DBXD Super durable black	CR Corrosion Resistant
072332 ‡ (2) luminaires	DGXD Super durable grey DWHXD Super durable white DNXD Super durable satin nickel DGRXD Super durable graphite	

STEM OPTIONS Example: STEM H48 DWHXD CR

Series	Length	Finish	Primer
STEM ‡	H18 18in or 1.5ft, 3/4" stem H36 36in or 3ft, 3/4" stem H48 48in or 4ft, 3/4" stem H60 60in or 5ft, 3/4" stem H72 72in or 6ft, 3/4" stem H96 96in or 8ft, 3/4" stem	DBXD Super durable black DGXD Super durable grey DWHXD Super durable white DNXD Super durable satin nickel DGRXD Super durable graphite	CR Corrosion Resistant

ACCESSORY HOOK & LOOP OPTIONS

Part Number	Description
HK646	Wet location solid hook, 3/4" male (PF646), zinc plated iron
HK646SS	Wet location solid hook, 3/4" male (PF646SS), 316 stainless steel
HKFD	Damp Location safety hook, 3/4" female, (PF-122-A), zinc plated iron
HKMAR	Damp location anti-rotational hook, 3/4" male (PF-129), zinc plated iron
HKMD	Damp location safety hook, 3/4" male (PF-121-A), zinc plated iron
HKMW	Wet location gasketed hook, 3/4" male (PF-291), zinc plated iron
LPFD	Damp Location loop, 3/4" female, (PF-116-A), zinc plated iron
LPMD	Damp location loop, 3/4" male (PF-105), zinc plated iron

TWIN ARM OPTIONS Example: HOLOTWINARM DNXD CR

Series	Finish	Primer
HOLOTWINARM ‡	DBXD Super durable black DGXD Super durable grey DWHXD Super durable white DNXD Super durable satin nickel DGRXD Super durable graphite	CR Corrosion Resistant

QDH ACCESSORY OPTIONS Example: QDH DBXD CR

Series	Finish	Primer
QDH ‡	DBXD Super durable black DGXD Super durable grey DWHXD Super durable white DNXD Super durable satin nickel DGRXD Super durable graphite	CR Corrosion Resistant

UNIVERSAL POWER HOOK OPTIONS Example: UPH 35SM 277 DWHXD CR

Series	Mounting	Voltage	Finish	Primer
UPH ‡	35SM Surface 36SM Pendant	120 120V 208 208V 240 240V 277 277V 347 347V L8480 480V	DWHXD Super durable white	CR Corrosion Resistant

SAFETY CHAIN OPTIONS Example: HOLOCHAINSS 120IN

Series	Length
HOLOCHAINSS	36IN 36in or 3ft 72IN 72in or 6ft 120IN 120in or 10ft 144IN 144in or 12ft 240IN 240in or 20ft

MISCELLANEOUS ACCESSORIES

Part Number	Description
HOLO2WG	Galvanized wire guard accessory (large)
PHCB ‡	Cord, plug and loop assembly for use with UPH power hooks (120-347V)
PHCBL8480 ‡	Cord, plug and loop assembly for use with UPH power hooks (480V)
HCMCFBH16YWL	Cord with Brad Mini Change® female connector, stainless steel coupling nut, 3 pole, 16 gauge, yellow, wet location, 6 feet, for use with the MCRMBH16WL receptacle
HMCRCFBH16WL	Receptacle with Brad Mini Change® female connector, nonmetallic coupling nut, 3 pole, 16 gauge leads, wet location, for use with CMCMBH16YWL and CMCMBH16YWL12FT cordsets

Notes ‡	
072331, 072332	Shipped separately. Requires PM mounting. Not available with any cordset that includes a plug (CPTL16, CPTL20A16, CPSB16, CMCMBH16YWL, MCRMBH16WL), modular wiring (OCS, OCS4C), UPH cordset (PHCB, PHCBL8480) or a hook or loop (HK646, HK646SS, HKM455, HKMAR, HKMD, HKMW, LPMD).
HOLOAC, HOLOACSS	Can be shortened in the field as necessary. Not available with yoke mount (YK90), twin arm (TA) or wall mount arm (072331, 072332).
HOLOTWINARM	Damp Location Rated. Requires PM mounting. Twin arm allows for 2 luminaires to be mounted with a single hook. Not available with aircraft cable (HOLOAC, HOLOACSS), wall mount arm (072331, 072332), stems (STEM HXX), any cordset that includes a plug (CPTL16, CPTL20A16, CPSB16, CMCMBH16YWL, MCRMBH16WL), yoke mount (YK90), quick disconnect (QD, QR), non-disconnect thru-wire (NDT, NR).
PHCB	Damp location rated. Must specify voltage. UPH accessory required. Includes 2ft long, 16 gauge cord, non NEMA twist lock plug and LPMD loop.
PHCBL8480	Damp location rated. Must specify voltage. UPH accessory required. Includes 2ft long, 16 gauge cord, NEMA L8-20P twist lock plug and LPMD loop.
STEM	Available with 480V only. Damp location rated. Requires PM, QD or NDT mounting.
QDH	For replacement only, ships standard with QD mounting option.
UPH	Damp location rated. Requires PHCB or PHCBL8480 option. Must Specify voltage. 120-347V uses a non-NEMA twist lock, L8480 utilizes a L8-20P receptacle.

ADJUSTABLE OUTPUT PERFORMANCE

A0 Position	Lumen Output	Wattage
1	19%	19%
2	29%	27%
3	42%	40%
4	55%	53%
5	70%	68%
6	81%	79%
7	95%	94%
8	100%	100%

EMERGENCY LUMEN PERFORMANCE

Option	Approximate Luminaire Efficacy	1 Minute	45 Minutes	90 Minutes
IE20WCPHER	100 LPW	2000	2000	2000
	110 LPW	2200	2200	2200
	120 LPW	2400	2400	2400
	130 LPW	2600	2600	2600
	140 LPW	2800	2800	2800
	150 LPW	3000	3000	3000
IE30WCPHER	100 LPW	3000	3000	3000
	110 LPW	3300	3300	3300
	120 LPW	3600	3600	3600
	130 LPW	3900	3900	3900
	140 LPW	4200	4200	4200
	150 LPW	4500	4500	4500

How to Estimate Delivered Lumens in Emergency Mode
 Use the formula below to estimate the delivered lumens in emergency mode
Delivered Lumens = P x LPW
 P = Output power of emergency driver
 LPW = Lumen per watt rating of the luminaire. (See charts on pages 7)
 The LPW rating is also available at [Designlight Consortium](#)

P = 20 watts for IE20WCPHER
 P = 30 watts for IE30WCPHER

AMBIENT TEMPERATURE

Configuration	Size	35,000LM (°C)	40,000LM (°C)	45,000LM (°C)	50,000LM (°C)	60,000LM (°C)	70,000LM (°C)	80,000LM (°C)	90,000LM (°C)	100,000LM (°C)
HOL02 Base	Large Optical, Large Electrical	75	70	65	65	65	65	55	55	55
HOL02 Base w/ Controls	Large Optical, Large Electrical	65	65	60	60	60	55	55	55	55
HOL02 REM Optical Only ‡	Large Optical, Large Electrical, Remote Enclosure	75	75	70	70	70	65	55	55	55
w/ External Battery 20/30W ‡	Any	0 to 55	0 to 55	0 to 55	0 to 55	0 to 55	0 to 55	0 to 55	0 to 55	0 to 55

Notes: ‡	
Configuration	Minimum Ambient is -40°C unless indicated.
HOL02 REM Optical Only	Ambient temps for LEDs only. REM option required. See HOLOBAY™ Remote Mount Spec Sheet .
w/ External Battery 20/30W	Remote battery enclosure is rated to 55C, the fixture will maintain its base ambient.

OPERATING CHARACTERISTICS

Nominal Lumens	Distribution	Input Watts †	70CRI				80CRI				90CRI				
			30K	35K	40K	50K	30K	35K	40K	50K	30K	35K	40K	50K	
35000LM	AD	202	34352	35540	36629	36629	31778	32174	33560	33857	23776	24852	25733	27983	Lumens
			170	176	181	181	157	159	166	167	118	123	127	138	LPW
	ADFR		29582	30605	31542	31542	27364	27707	28900	29155	20474	21401	22159	24097	Lumens
			146	151	156	156	135	137	143	144	101	106	110	119	LPW
	MD		36480	37742	38900	38900	33748	34168	35640	35955	25248	26391	27328	29717	Lumens
			180	187	192	192	167	169	176	178	125	131	135	147	LPW
	MDFR		31046	32119	33103	33103	28719	29078	30329	30598	21487	22460	23255	25290	Lumens
			154	159	164	164	142	144	150	151	106	111	115	125	LPW
	ND		34581	35777	36873	36873	31991	32389	33784	34082	23935	25018	25904	28170	Lumens
			171	177	182	182	158	160	167	169	118	124	128	139	LPW
	NDFR		31583	32675	33676	33676	29219	29581	30855	31128	21859	22849	23658	25727	Lumens
			156	162	167	167	145	146	153	154	108	113	117	127	LPW
	WD		36048	37292	38435	38435	33346	33762	35215	35525	24949	26078	27002	29362	Lumens
			178	184	190	190	165	167	174	176	123	129	134	145	LPW
	WDFR		32284	33401	34424	34424	29864	30238	31539	31819	22344	23356	24183	26298	Lumens
			160	165	170	170	148	150	156	157	111	116	120	130	LPW

Nominal Lumens	Distribution	Input Watts †	70CRI				80CRI				90CRI				
			30K	35K	40K	50K	30K	35K	40K	50K	30K	35K	40K	50K	
40000LM	AD	238	39714	41087	42346	42346	36739	37196	38798	39142	27487	28731	29749	32351	Lumens
			167	173	178	178	154	156	163	164	115	121	125	136	LPW
	ADFR		34199	35382	36466	36466	31637	32031	33410	33706	23670	24741	25618	27859	Lumens
			144	149	153	153	133	135	140	142	99	104	108	117	LPW
	MD		42176	43634	44971	44971	39015	39501	41203	41568	29191	30511	31592	34356	Lumens
			177	183	189	189	164	166	173	175	123	128	133	144	LPW
	MDFR		35891	37132	38271	38271	33202	33616	35064	35374	24841	25965	26886	29237	Lumens
			151	156	161	161	140	141	147	149	104	109	113	123	LPW
	ND		39979	41361	42628	42628	36983	37444	39058	39404	27670	28923	29948	32566	Lumens
			168	174	179	179	155	157	164	166	116	122	126	137	LPW
	NDFR		36513	37776	38933	38933	33777	34198	35671	35986	25271	26415	27351	29743	Lumens
			153	159	164	164	142	144	150	151	106	111	115	125	LPW
	WD		41674	43115	44436	44436	38551	39031	40712	41073	28842	30149	31216	33947	Lumens
			175	181	187	187	162	164	171	173	121	127	131	143	LPW
	WDFR		37323	38614	39797	39797	34527	34957	36463	36785	25832	27001	27958	30403	Lumens
			157	162	167	167	145	147	153	155	109	113	117	128	LPW

Notes: †	
Input Watts	120VAC.
Operating Characteristics	Absolute photometry calculated in accordance with IESNA LM-79-08 @ 25°C.

OPERATING CHARACTERISTICS

Nominal Lumens	Distribution	Input Watts ‡	70CRI				80CRI				90CRI				
			30K	35K	40K	50K	30K	35K	40K	50K	30K	35K	40K	50K	
45000LM	AD	269	44648	46192	47608	47608	41303	41818	43619	44005	30902	32300	33445	36370	Lumens
			166	171	177	177	153	155	162	163	115	120	124	135	LPW
	ADFR		38448	39778	40997	40997	35567	36011	37561	37894	26610	27816	28801	31320	Lumens
			143	148	152	152	132	134	139	141	99	103	107	116	LPW
	MD		47415	49054	50559	50559	43863	44409	46322	46732	32818	34303	35517	38625	Lumens
			176	182	188	188	163	165	172	173	122	127	132	143	LPW
	MDFR		40351	41746	43025	43025	37327	37793	39421	39770	27928	29192	30226	32869	Lumens
			150	155	160	160	139	140	146	148	104	108	112	122	LPW
	ND		44946	46501	47927	47927	41579	42098	43911	44299	31108	32516	33669	36613	Lumens
			167	173	178	178	154	156	163	164	115	121	125	136	LPW
	NDFR		41049	42469	43770	43770	37973	38447	40103	40458	28411	29697	30749	33438	Lumens
			152	158	162	162	141	143	149	150	105	110	114	124	LPW
	WD		46851	48471	49957	49957	43341	43880	45770	46174	32426	33894	35095	38163	Lumens
			174	180	185	185	161	163	170	171	120	126	130	142	LPW
	WDFR		41960	43411	44741	44741	38816	39300	40993	41355	29042	30357	31431	34180	Lumens
			156	161	166	166	144	146	152	153	108	113	117	127	LPW

Nominal Lumens	Distribution	Input Watts ‡	70CRI				80CRI				90CRI				
			30K	35K	40K	50K	30K	35K	40K	50K	30K	35K	40K	50K	
50000LM	AD	285	49791	51514	53092	53092	46061	46635	48643	49074	34462	36021	37298	40560	Lumens
			175	181	186	186	162	164	171	172	121	126	131	142	LPW
	ADFR		42877	44360	45719	45719	39664	40159	41889	42260	29676	31019	32119	34927	Lumens
			150	156	160	160	139	141	147	148	104	109	113	123	LPW
	MD		52877	54706	56382	56382	48915	49526	51658	52115	36597	38253	39610	43073	Lumens
			186	192	198	198	172	174	181	183	128	134	139	151	LPW
	MDFR		44999	46555	47981	47981	41628	42146	43961	44350	31145	32554	33708	36656	Lumens
			158	163	168	168	146	148	154	156	109	114	118	129	LPW
	ND		50123	51857	53446	53446	46368	46946	48969	49401	34691	36263	37547	40831	Lumens
			176	182	188	188	163	165	172	173	122	127	132	143	LPW
	NDFR		45778	47361	48812	48812	42348	42875	44722	45118	31684	33118	34291	37290	Lumens
			161	166	171	171	149	150	157	158	111	116	120	131	LPW
	WD		52248	54055	55711	55711	48332	48935	51043	51494	36162	37797	39138	42559	Lumens
			183	190	195	195	170	172	179	181	127	133	137	149	LPW
	WDFR		46794	48412	49896	49896	43288	43827	45715	46120	32387	33853	35053	38118	Lumens
			164	170	175	175	152	154	160	162	114	119	123	134	LPW

Notes: ‡	
Input Watts	120VAC.
Operating Characteristics	Absolute photometry calculated in accordance with IESNA LM-79-08 @ 25°C.

OPERATING CHARACTERISTICS

Nominal Lumens	Distribution	Input Watts ‡	70CRI				80CRI				90CRI				
			30K	35K	40K	50K	30K	35K	40K	50K	30K	35K	40K	50K	
60000LM	AD	353	60914	63021	64952	64952	56350	57052	59510	60037	42160	44068	45630	49620	Lumens
			173	179	184	184	160	162	169	170	120	125	129	141	LPW
	ADFR		52455	54270	55932	55932	48525	49130	51246	51699	36305	37948	39293	42730	Lumens
			149	154	159	159	138	139	145	147	103	108	111	121	LPW
	MD		64690	66926	68976	68976	59842	60588	63199	63758	44772	46799	48457	52695	Lumens
			183	190	196	196	170	172	179	181	127	133	137	149	LPW
	MDFR		55050	56956	58699	58699	50926	51561	53782	54257	38102	39827	41238	44844	Lumens
			156	161	166	166	144	146	152	154	108	113	117	127	LPW
	ND		61321	63441	65387	65387	56726	57434	59908	60437	42442	44362	45934	49952	Lumens
			174	180	185	185	161	163	170	171	120	126	130	142	LPW
	NDFR		56003	57941	59716	59716	51808	52453	54713	55197	38761	40516	41951	45620	Lumens
			159	164	169	169	147	149	155	156	110	115	119	129	LPW
	WD		63919	66129	68156	68156	59129	59866	62445	62999	44238	46243	47881	52068	Lumens
			181	187	193	193	168	170	177	179	125	131	136	148	LPW
	WDFR		57246	59227	61040	61040	52958	53618	55928	56422	39622	41415	42883	46633	Lumens
			162	168	173	173	150	152	159	160	112	117	122	132	LPW

Nominal Lumens	Distribution	Input Watts ‡	70CRI				80CRI				90CRI				
			30K	35K	40K	50K	30K	35K	40K	50K	30K	35K	40K	50K	
70000LM	AD	411	68447	70814	72984	72984	63319	64108	66870	67461	47374	49518	51273	55757	Lumens
			167	172	178	178	154	156	163	164	115	121	125	136	LPW
	ADFR		58943	60981	62849	62849	54526	55206	57583	58093	40795	42642	44153	48014	Lumens
			144	148	153	153	133	134	140	141	99	104	108	117	LPW
	MD		72690	75203	77507	77507	67242	68080	71014	71643	50310	52587	54450	59212	Lumens
			177	183	189	189	164	166	173	174	123	128	133	144	LPW
	MDFR		61860	63999	65959	65959	57225	57937	60434	60969	42814	44752	46338	50390	Lumens
			151	156	161	161	139	141	147	148	104	109	113	123	LPW
	ND		68905	71288	73472	73472	63741	64536	67315	67911	47691	49849	51615	56130	Lumens
			168	174	179	179	155	157	164	165	116	121	126	137	LPW
	NDFR		62930	65107	67102	67102	58215	58940	61479	62023	43555	45526	47140	51262	Lumens
			153	159	163	163	142	144	150	151	106	111	115	125	LPW
	WD		71824	74308	76585	76585	66442	67269	70169	70789	49709	51962	53803	58507	Lumens
			175	181	186	186	162	164	171	172	121	127	131	142	LPW
	WDFR		64327	66551	68591	68591	59508	60248	62845	63400	44522	46537	48186	52400	Lumens
			157	162	167	167	145	147	153	154	108	113	117	128	LPW

Notes: ‡	
Input Watts	120VAC.
Operating Characteristics	Absolute photometry calculated in accordance with IESNA LM-79-08 @ 25°C.

OPERATING CHARACTERISTICS

Nominal Lumens	Distribution	Input Watts ‡	70CRI				80CRI				90CRI				
			30K	35K	40K	50K	30K	35K	40K	50K	30K	35K	40K	50K	
80000LM	AD	477	77538	80219	82677	82677	71728	72622	75750	76421	53665	56095	58082	63162	Lumens
			163	168	173	173	150	152	159	160	113	118	122	132	LPW
	ADFR		66771	69080	71196	71196	61767	62537	65231	65808	46213	48304	50017	54391	Lumens
			140	145	149	149	129	131	137	138	97	101	105	114	LPW
	MD		82343	85191	87800	87800	76173	77122	80444	81157	56990	59570	61682	67075	Lumens
			173	179	184	184	160	162	169	170	119	125	129	141	LPW
	MDFR		70074	72498	74719	74719	64824	65632	68459	69065	48499	50695	52492	57083	Lumens
			147	152	157	157	136	138	144	145	102	106	110	120	LPW
	ND		78056	80754	83229	83229	72206	73107	76256	76932	54024	56470	58470	63583	Lumens
			164	169	174	174	151	153	160	161	113	118	123	133	LPW
	NDFR		71288	73753	76013	76013	65946	66768	69644	70260	49339	51573	53400	58071	Lumens
			149	155	159	159	138	140	146	147	103	108	112	122	LPW
	WD		81363	84177	86755	86755	75267	76205	79486	80190	56312	58861	60947	66276	Lumens
			171	176	182	182	158	160	167	168	118	123	128	139	LPW
	WDFR		72870	75390	77700	77700	67410	68250	71190	71820	50435	52717	54585	59360	Lumens
			153	158	163	163	141	143	149	151	106	111	114	124	LPW

Nominal Lumens	Distribution	Input Watts ‡	70CRI				80CRI				90CRI				
			30K	35K	40K	50K	30K	35K	40K	50K	30K	35K	40K	50K	
90000LM	AD	555	88476	91535	94340	94340	81846	82866	86436	87201	61235	64008	66276	72071	Lumens
			159	165	170	170	147	149	156	157	110	115	119	130	LPW
	ADFR		76189	78824	81239	81239	70480	71358	74433	75091	52732	55119	57071	62063	Lumens
			137	142	146	146	127	129	134	135	95	99	103	112	LPW
	MD		93959	97208	100186	100186	86919	88002	91792	92604	65031	67972	70383	76538	Lumens
			169	175	181	181	157	159	165	167	117	122	127	138	LPW
	MDFR		79960	82725	85260	85260	73969	74890	78116	78807	55341	57846	59896	65134	Lumens
			144	149	154	154	133	135	141	142	100	104	108	117	LPW
	ND		89066	92147	94970	94970	82393	83420	87014	87784	61644	64435	66718	72553	Lumens
			161	166	171	171	148	150	157	158	111	116	120	131	LPW
	NDFR		81344	84157	86736	86736	75249	76186	79468	80172	56298	58847	60933	66261	Lumens
			147	152	156	156	136	137	143	144	101	106	110	119	LPW
	WD		92840	96052	98993	98993	85884	86955	90700	91503	64256	67164	69546	75628	Lumens
			167	173	178	178	155	157	163	165	116	121	125	136	LPW
	WDFR		83149	86025	88661	88661	76919	77877	81232	81951	57548	60154	62286	67733	Lumens
			150	155	160	160	139	140	146	148	104	108	112	122	LPW

Notes: ‡	
Input Watts	120VAC.
Operating Characteristics	Absolute photometry calculated in accordance with IESNA LM-79-08 @ 25°C.

OPERATING CHARACTERISTICS

Nominal Lumens	Distribution	Input Watts †	70CRI				80CRI				90CRI				
			30K	35K	40K	50K	30K	35K	40K	50K	30K	35K	40K	50K	
100000LM	AD	641	100520	103997	107183	107183	92988	94147	98203	99072	69572	72721	75298	81883	Lumens
			157	162	167	167	145	147	153	155	109	113	117	128	LPW
	ADFR		86561	89555	92299	92299	80075	81073	84566	85314	59910	62622	64841	70512	Lumens
			135	140	144	144	125	126	132	133	93	98	101	110	LPW
	MD		106751	110442	113825	113825	98751	99982	104289	105212	73884	77227	79964	86957	Lumens
			167	172	178	178	154	156	163	164	115	120	125	136	LPW
	MDFR		90845	93987	96866	96866	84038	85086	88751	89536	62875	65722	68051	74002	Lumens
			142	147	151	151	131	133	138	140	98	103	106	115	LPW
	ND		101191	104690	107898	107898	93610	94776	98859	99735	70037	73207	75801	82429	Lumens
			158	163	168	168	146	148	154	156	109	114	118	129	LPW
	NDFR		92417	95614	98543	98543	85493	86559	90287	91086	63964	66859	69228	75282	Lumens
			144	149	154	154	133	135	141	142	100	104	108	117	LPW
	WD		105478	109126	112470	112470	97575	98791	103047	103960	73002	76309	79012	85922	Lumens
			165	170	175	175	152	154	161	162	114	119	123	134	LPW
	WDFR		94469	97736	100731	100731	87390	88480	92291	93108	65383	68343	70765	76954	Lumens
			147	152	157	157	136	138	144	145	102	107	110	120	LPW

Notes: †	
Input Watts	120VAC.
Operating Characteristics	Absolute photometry calculated in accordance with IESNA LM-79-08 @ 25°C.

UPLIGHT OPERATING CHARACTERISTICS

Configuration	Lumen package	70CRI				80CRI				90CRI			
		30K	35K	40K	50K	30K	35K	40K	50K	30K	35K	40K	50K
HOL02 - Large optical, Large Electrical (3 bars)	35000LM	5354	5539	5709	5709	4953	5015	5231	5277	3657	3822	3958	4304
	40000LM	6146	6358	6553	6553	5685	5756	6004	6057	4197	4387	4542	4940
	45000LM	6918	7157	7376	7376	6399	6479	6758	6818	4724	4938	5113	5560
	50000LM	7421	7678	7913	7913	6865	6950	7250	7314	5068	5297	5485	5965
	60000LM	7421	7678	7913	7913	6865	6950	7250	7314	5068	5297	5485	5965

LUMEN AMBIENT TEMPERATURE (LAT) MULTIPLIERS

HOLO2 (Large Optical, Large Electrical)

Ambient °C	35000LM	40000LM	45000LM	50000LM	60000LM	70000LM	80000LM	90000LM	100000LM
-40	1.06	1.06	1.07	1.07	1.07	1.08	1.09	1.10	1.10
-35	1.06	1.06	1.06	1.06	1.07	1.08	1.08	1.09	1.10
-30	1.05	1.06	1.06	1.06	1.07	1.07	1.08	1.08	1.09
-25	1.05	1.05	1.06	1.06	1.06	1.07	1.07	1.08	1.08
-20	1.05	1.05	1.05	1.05	1.06	1.06	1.07	1.07	1.08
-15	1.04	1.05	1.05	1.05	1.05	1.06	1.06	1.06	1.07
-10	1.04	1.04	1.04	1.04	1.05	1.05	1.05	1.06	1.06
-5	1.03	1.04	1.04	1.04	1.04	1.04	1.05	1.05	1.05
0	1.03	1.03	1.03	1.03	1.03	1.04	1.04	1.04	1.05
5	1.02	1.02	1.03	1.03	1.03	1.03	1.03	1.03	1.04
10	1.02	1.02	1.02	1.02	1.02	1.02	1.02	1.03	1.03
15	1.01	1.01	1.01	1.01	1.01	1.02	1.02	1.02	1.02
20	1.01	1.01	1.01	1.01	1.01	1.01	1.01	1.01	1.01
25	1.00	1.00	1.00	1.00	1.00	1.00	1.00	1.00	1.00
30	0.99	0.99	0.99	0.99	0.99	0.99	0.99	0.99	0.99
35	0.99	0.99	0.99	0.99	0.98	0.98	0.98	0.98	0.98
40	0.98	0.98	0.98	0.98	0.98	0.97	0.97	0.97	0.97
45	0.97	0.97	0.97	0.97	0.97	0.97	0.96	0.96	0.96
50	0.96	0.96	0.96	0.96	0.96	0.96	0.95	0.95	0.95
55	0.96	0.95	0.95	0.95	0.95	0.95	0.94	0.94	NA
60	0.95	0.95	0.94	0.94	0.94	0.94	NA	NA	NA
65	0.94	0.94	0.93	0.93	0.93	0.93	NA	NA	NA
70	0.93	0.93	0.93	NA	NA	NA	NA	NA	NA

IMAGES

Bottom



Top



Side



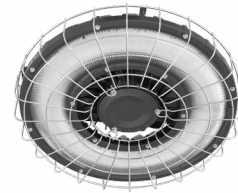
nLight Air Embedded Sensor (NLTAIR2 APIR)



Sensor Switch Embedded Sensor (SBG, SBG BTP)



Wireguard (WGX, HOLO2WG)



Hinge Open



Inverted (IVO)



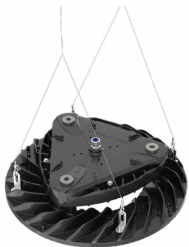
Pendant (PM)



Uplight (UPL)



Aircraft Cable (AC, ACSS, HOLOAC, HOLOACSS)



Wall Mount (072331)



Wall Mount (072332)



QD or NDT Mount



Universal Power Hook (UPH)



Twin Arm (TA, HOLOTWINARM)



Yoke Mount (YK90)

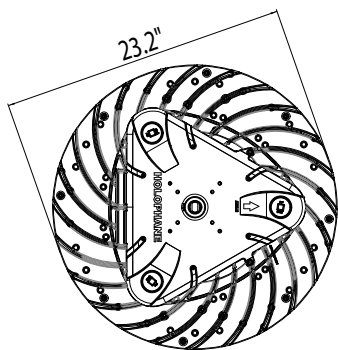


Hook Mount (HKMD)

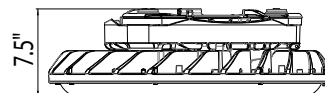


DIMENSIONS

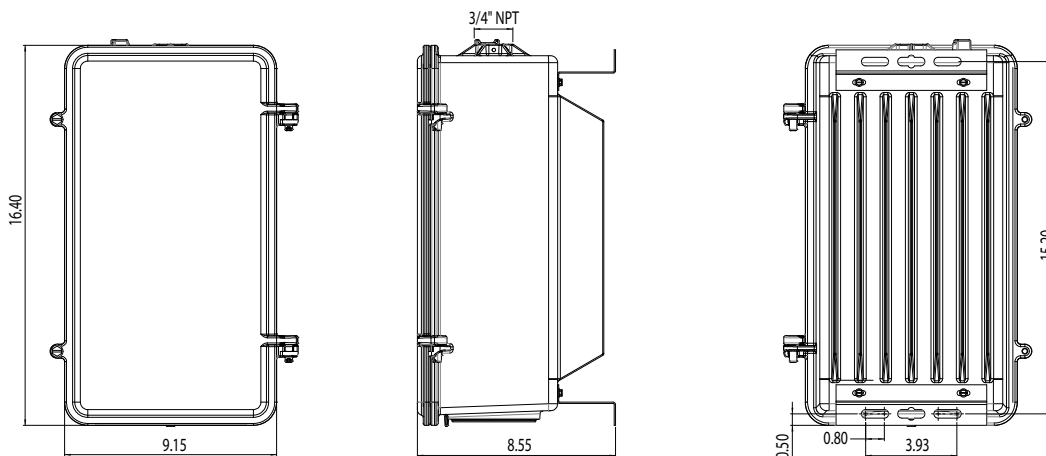
HOL02 Top



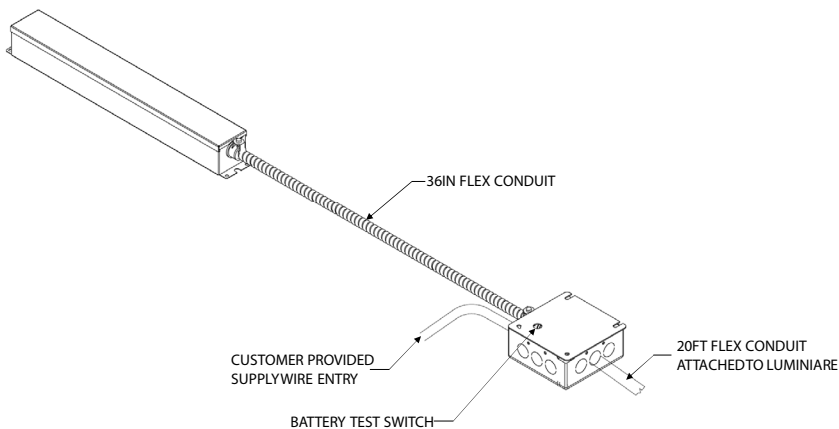
HOL02 Side



IE18WCPHECWR Remote Battery Enclosure (finish will match luminaire)



IE20WCPHER or IE30WCPHER Remote Batteries



EMBEDDED LUMINAIRE TECHNOLOGY GUIDE

Control Type	Sensor Nomenclature	Sensor Used (click on part number to link to sensor spec sheet)	Out of the box settings					Notes
			Unoccupied Time Until Dim	Dim to Off Time Delay	Occupied Dim Level	Unoccupied Dim Level	Daylighting Set Point	
Sensor Switch Embedded Controls	SBG10	SBG 10 EZ WH 0V	5M	n/a	100%	0V	n/a	360° Low mount standalone embedded sensor (8-15ft), on/off occupancy
	SBG10 D 3V	SBG 10 EZ WH 3V	5M	n/a	100%	30%	n/a	360° Low mount standalone embedded sensor (8-15ft), occupancy controlled high/low dimming, 30% min dim level
	SBG10 P	SBG 10 EZ P WH 0V 10M	10M	n/a	100%	0V	5FC	360° Low mount standalone embedded sensor (8-15ft), on/off photocell
	SBG6	SBG 6 EZ WH 0V	5M	n/a	100%	0V	n/a	360° High mount standalone embedded sensor (15-30ft), on/off occupancy
	SBG6 D 3V	SBG 6 EZ WH 3V	5M	n/a	100%	30%	n/a	360° High mount standalone embedded sensor (15-30ft), occupancy controlled high/low dimming, 30% min dim level
	SBG6 P	SBG 6 EZ P WH 0V 10M	10M	n/a	100%	0V	5FC	360° High mount standalone embedded sensor (15-30ft), on/off photocell
Sensor Switch Embedded Controls	SBG10 ER	SBG 10 EZ WH 0V + ETS20 DR HITEMP	5M	n/a	100%	0V	n/a	360° Low mount standalone embedded sensor (8-15ft), on/off occupancy, UL924 emergency operation, includes IOTA ETS20 DR HITEMP, 5 conductor power input
	SBG10 D 3V ER	SBG 10 EZ WH 3V + ETS20 DR HITEMP	5M	n/a	100%	30%	n/a	360° Low mount standalone embedded sensor (8-15ft), occupancy controlled high/low dimming, 30% min dim level, UL924 emergency operation, includes IOTA ETS20 DR HITEMP, 5 conductor power input
	SBG10 P ER	SBG 10 EZ P WH 0V 10M + ETS20 DR HITEMP	10M	n/a	100%	0V	5FC	360° Low mount standalone embedded sensor (8-15ft), on/off photocell, UL924 emergency operation, includes IOTA ETS20 DR HITEMP, 5 conductor power input
	SBG6 ER	SBG 6 EZ WH 0V + ETS20 DR HITEMP	5M	n/a	100%	0V	n/a	360° High mount standalone embedded sensor (15-30ft), on/off occupancy, UL924 emergency operation, includes IOTA ETS20 DR HITEMP, 5 conductor power input
	SBG6 D 3V ER	SBG 6 EZ WH 3V + ETS20 DR HITEMP	5M	n/a	100%	30%	n/a	360° High mount standalone embedded sensor (15-30ft), occupancy controlled high/low dimming, 30% min dim level, UL924 emergency operation, includes IOTA ETS20 DR HITEMP, 5 conductor power input
	SBG6 P ER	SBG 6 EZ P WH 0V 10M + ETS20 DR HITEMP	10M	n/a	100%	0V	5FC	360° High mount standalone embedded sensor (15-30ft), on/off photocell, UL924 emergency operation, includes IOTA ETS20 DR HITEMP, 5 conductor power input
Bluetooth® Embedded Controls	SBG10 OCC BTP	SBG10 BTP OCC	10M	n/a	10V	n/a	n/a	360° Low mount Bluetooth embedded sensor (7-15ft), on/off occupancy
	SBG10 HL BTP	SBG10 BTP HL	10M	2.5M	10V	10%	n/a	360° Low mount Bluetooth embedded sensor (7-15ft), high/low/(off) occupancy dimming
	SBG10 ADC BTP	SBG10 BTP ADC	10M	2.5M	10V	10%	50FC	360° Low mount Bluetooth embedded sensor (7-15ft), on/off occupancy with auto dimming photocell
	SBG10 ANL BTP	SBG10 BTP ANL	10M	n/a	10V	10%	50FC	360° Low mount Bluetooth embedded sensor (7-15ft), high/low/(off) occupancy dimming with auto dimming photocell
	SBG6 OCC BTP	SBG6 BTP OCC	10M	n/a	10V	n/a	n/a	360° High mount Bluetooth embedded sensor (15-45ft), on/off occupancy
	SBG6 HL BTP	SBG6 BTP HL	10M	2.5M	10V	10%	n/a	360° High mount Bluetooth embedded sensor (15-45ft), high/low/(off) occupancy dimming
	SBG6 ADC BTP	SBG6 BTP ADC	10M	2.5M	10V	10%	50FC	360° High mount Bluetooth embedded sensor (15-45ft), on/off occupancy with auto dimming photocell
	SBG6 ANL BTP	SBG6 BTP ANL	10M	n/a	10V	10%	50FC	360° High mount Bluetooth embedded sensor (15-45ft), high/low/(off) occupancy dimming with auto dimming photocell
Bluetooth® Embedded Controls	SBG10 OCC BTP ER	SBG10 BTP OCC + ETS20 DR HITEMP	10M	n/a	10V	n/a	n/a	360° Low mount Bluetooth embedded sensor (7-15ft), on/off occupancy, UL924 emergency operation, includes IOTA ETS DR, 5 conductor power input
	SBG10 HL BTP ER	SBG10 BTP HL + ETS20 DR HITEMP	10M	2.5M	10V	10%	n/a	360° Low mount Bluetooth embedded sensor (7-15ft), high/low/(off) occupancy dimming, UL924 emergency operation, includes IOTA ETS DR, 5 conductor power input
	SBG10 ADC BTP ER	SBG10 BTP ADC + ETS20 DR HITEMP	10M	2.5M	10V	10%	50FC	360° Low mount Bluetooth embedded sensor (7-15ft), on/off occupancy with auto dimming photocell, UL924 emergency operation, includes IOTA ETS DR, 5 conductor power input
	SBG10 ANL BTP ER	SBG10 BTP ANL + ETS20 DR HITEMP	10M	n/a	10V	10%	50FC	360° Low mount Bluetooth embedded sensor (7-15ft), high/low/(off) occupancy dimming with auto dimming photocell, UL924 emergency operation, includes IOTA ETS DR, 5 conductor power input
	SBG6 OCC BTP ER	SBG6 BTP OCC + ETS20 DR HITEMP	10M	n/a	10V	n/a	n/a	360° High mount Bluetooth embedded sensor (15-45ft), on/off occupancy, includes IOTA ETS DR, 5 conductor power input
	SBG6 HL BTP ER	SBG6 BTP HL + ETS20 DR HITEMP	10M	2.5M	10V	10%	n/a	360° High mount Bluetooth embedded sensor (15-45ft), high/low/(off) occupancy dimming, UL924 emergency operation, includes IOTA ETS DR, 5 conductor power input
	SBG6 ADC BTP ER	SBG6 BTP ADC + ETS20 DR HITEMP	10M	2.5M	10V	10%	50FC	360° High mount Bluetooth embedded sensor (15-45ft), on/off occupancy with auto dimming photocell, UL924 emergency operation, includes IOTA ETS DR, 5 conductor power input
	SBG6 ANL BTP ER	SBG6 BTP ANL + ETS20 DR HITEMP	10M	n/a	10V	10%	50FC	360° High mount Bluetooth embedded sensor (15-45ft), high/low/(off) occupancy dimming with auto dimming photocell, UL924 emergency operation, includes IOTA ETS DR, 5 conductor power input

EMBEDDED LUMINAIRE TECHNOLOGY GUIDE

Control Type	Sensor Nomenclature	Sensor Used (click on part number to link to sensor spec sheet)	Out of the box settings					Notes
			Unoccupied Time Until Dim	Dim to Off Time Delay	Occupied Dim Level	Unoccupied Dim Level	Daylighting Set Point	
nLight Air Embedded Controls	NLTAIR2 APIR	RSBG 10 ZTS WH G2	7.5M	2.5M	100%	10%	50FC	360° Low mount nLight air embedded sensor (8-15ft), combined daylight and occupancy dimming, fully programmable with Clarity+ Pro app
	NLTAIR2 APIRM	RSBG 6 ZTS WH G2	7.5M	2.5M	100%	10%	50FC	360° High mount nLight air embedded sensor (15-30ft), combined daylight and occupancy dimming, fully programmable with Clarity+ Pro app
	NLTAIR2 APIRH	RSBG 40 ZTS WH G2	7.5M	2.5M	100%	10%	50FC	360° High bay nLight air embedded sensor (40ft), combined daylight and occupancy dimming, fully programmable with Clarity+ Pro app
	NLTAIREM2 APIR	RSBG 10 ZT EM WH G2	7.5M	2.5M	100%	10%	50FC	360° Low mount nLight air embedded sensor (8-15ft), combined daylight and occupancy dimming, fully programmable with Clarity+ Pro app, UL924 emergency operation, 3 conductor power input
	NLTAIREM2 APIRM	RSBG 6 ZT EM WH G2	7.5M	2.5M	100%	10%	50FC	360° High mount nLight air embedded sensor (15-30ft), combined daylight and occupancy dimming, fully programmable with Clarity+ Pro app, UL924 emergency operation, 3 conductor power input
	NLTAIREM2 APIRH	RSBG 40 ZT EM WH G2	7.5M	2.5M	100%	10%	50FC	360° High bay nLight air embedded sensor (40ft), combined daylight and occupancy dimming, fully programmable with Clarity+ Pro app, UL924 emergency operation, 3 conductor power input
	NLTAIRER2 APIR	RSBG 10 ZTS WH G2	7.5M	2.5M	100%	10%	50FC	360° Low mount nLight air embedded sensor (8-15ft), combined daylight and occupancy dimming, fully programmable with Clarity+ Pro app, UL924 emergency operation, includes IOTA ETS DR, 5 conductor power input
	NLTAIRER2 APIRM	RSBG 40 ZTS WH G2	7.5M	2.5M	100%	10%	50FC	360° High mount nLight air embedded sensor (15-30ft), combined daylight and occupancy dimming, fully programmable with Clarity+ Pro app, UL924 emergency operation, includes IOTA ETS DR, 5 conductor power input
	NLTAIRER2 APIRH	RSBG 40 ZTS WH G2	7.5M	2.5M	100%	10%	50FC	360° High bay nLight air embedded sensor (40ft), combined daylight and occupancy dimming, fully programmable with Clarity+ Pro app, UL924 emergency operation, includes IOTA ETS DR, 5 conductor power input
	NLTAIR2	RIO ZTS EXTD B ACWH 180D G2	n/a	n/a	80%	n/a	n/a	nLight air embedded network interface, fully programmable with Clarity+ Pro app
	NLTAIREM2	RIO ZT EM EXTD B ACWH 180D G2	n/a	n/a	80%	n/a	n/a	nLight air embedded network interface, fully programmable with Clarity+ Pro app, UL924 emergency operation, 3 conductor power input
	NLTAIRER2	RIO ZTS EXTD B ACWH 180D G2	n/a	n/a	80%	n/a	n/a	nLight air embedded network interface, fully programmable with Clarity+ Pro app, UL924 emergency operation, includes IOTA ETS DR, 5 conductor power input
nLight Wired Power Packs	NLIGHTKO	NPP16 D EFP	n/a	n/a	10V	0V	n/a	nLight wired power pack
	NLIGHTERKO	NPP16 D ER EFP	n/a	n/a	10V	0V	n/a	nLight wired power pack, UL924 emergency operation, 5 conductor power input
	NLIGHTKOX2	(2) NPP16 D EFP	n/a	n/a	10V	0V	n/a	(2) nLight wired power packs for independent dimming control of uplight and downlight
	NLIGHTERKOX2	(2) NPP16 D ER EFP	n/a	n/a	10V	0V	n/a	(2) nLight wired power packs for independent dimming control of uplight and downlight, UL924 emergency operation, 5 conductor power input
nLight Air Power Packs	NLTAIR2KO	RPP20 D EFP	n/a	n/a	10V	0V	n/a	nLight air power pack
	NLTAIREM2KO	RPP20 D EM EFP	n/a	n/a	10V	0V	n/a	nLight air power pack, UL924 Emergency Operation, via separate normal power sensing device, 3 conductor power input
	NLTAIRER2KO	RPP20 D ER EFP	n/a	n/a	10V	0V	n/a	nLight air power pack, UL924 Emergency Operation, via power sense leads, 5 conductor power input
	NLTAIR2KOX2	(2) RPP20 D EFP	n/a	n/a	10V	0V	n/a	(2) nLight air power packs for independent dimming control of uplight and downlight
	NLTAIREM2KOX2	(2) RPP20 D EM EFP	n/a	n/a	10V	0V	n/a	(2) nLight air power packs for independent dimming control of uplight and downlight, UL924 Emergency Operation, via separate normal power sensing device, 3 conductor power input
	NLTAIRER2KOX2	(2) RPP20 D ER EFP	n/a	n/a	10V	0V	n/a	(2) nLight air power packs for independent dimming control of uplight and downlight, UL924 Emergency Operation, via power sense leads, 5 conductor power input