

Catalog Number	
Notes	Type

# Petrolux® LED Low Bay

Hazardous Location for Demanding Environments

## PXLH



### Description

- For demanding environments with lower mounting heights where dust, dirt and moisture are a concern.
- Certain airborne contaminants may adversely affect the functioning of LEDs and other electronic components, depending on various factors such as concentrations of the contaminants, ventilation, and temperature at the end-user location. [Click here for a list of substances that may not be suitable for interaction with LEDs and other electronic components.](#)

### Optics

- Prismatic borosilicate glass directs light where needed and reduces harsh glare.
- Silicone rubber lens available that will not brown, chip, shatter or break.
- Four distributions (Type 5 low angle, Type 5 high angle, type 4 forward throw and Type 1 long and narrow) available to maximize versatility.
- Highly engineered LED system ensures superior uniformity and maximizes spacing.
- Lens assembly secured by stainless steel tamper-resistant Torx® T-20 screws.

### Electrical

- Luminaire Surge Protection Level: Designed to withstand up to 10kV/5kA per ANSI C82.77-5-2015.
- 0-10V dimming driver is standard. Dims to 10%.
- 3000K, 4000K or 5000K CCT available.
- Fault-tolerant LED light engine continues to provide light even in the failure of one LED.
- Field Adjustable Output (AO) module - Onboard device that adjusts the light output and input wattage to meet site specific requirements. The AO module is preset at the factory to position number 8 (see chart on page 5).
- Integrated Bluetooth occupancy sensor: The SBG BTP is bluetooth enabled with dimming photocells. Allows you to change settings in the field using the VLP app.

### Mechanical

- Super durable TGIC thermoset powder coat with corrosion resistant finish is a five-stage pre-treating and painting process that yields over 5,000 hours salt rating per ASTM B117.
- Robust cast aluminum housing with low copper content (0.6% CU content) withstands harsh or hostile environments.

- Universal mount high profile top cover (ceiling/pendant). Optional universal arm available for wall/stanchion. Other mountings include a high profile yoke mount.
- Precise number of fins dissipate maximum amount of heat.
- Universal mount can be wall, stanchion, and angle mounted to accommodate a variety of arms.

### Listings

- UL Listed to US and Canadian Standards.
- Suitable for use in hazardous locations (UL844, see chart on page 8)  
Class I, Division 2, Groups A, B, C, D  
Class II, Division 1, Groups E, F, and G  
Class II, Division 2, Groups F and G  
Class III
- Simultaneous presence (Class I Division 2, Class II Division 1 / Class II Division 2)
- Zone Equivalency Markings (See chart on page 9)
- -40°F (-40°C) to 149°F (65°C) (see chart on page 6)
- IP65, IP66 and IP67 rated. (see Option Value Ordering Restrictions & Notes on page 3)
- 1G vibration rated.
- NEMA 4X rated (see chart on page 8)
- Marine Rated (see chart on page 8)
- IK rated (see chart on page 6)
- DesignLights Consortium® (DLC) Premium qualified product and DLC qualified product. Not all versions of this product may be DLC Premium qualified or DLC qualified. Please check the DLC Qualified Products List at [www.designlights.org/QPL](http://www.designlights.org/QPL) to confirm which versions are qualified.

### Warranty

5-year limited warranty. This is the only warranty provided and no other statements in this specification sheet create any warranty of any kind. All other express and implied warranties are disclaimed. Complete warranty terms located at: [www.acuitybrands.com/support/warranty/terms-and-conditions](http://www.acuitybrands.com/support/warranty/terms-and-conditions)

**Note:** Actual performance may differ as a result of end-user environment and application. All values are design or typical values, measured under laboratory conditions at 25 °C.



### Typical Applications

- Petroleum refineries
- Ethanol facilities
- Chemical plants
- Power plants
- Textile mills
- Water and wastewater treatment facilities

### Dimensions: Inches (millimeters) unless otherwise noted.

Universal Mount  
Diameter: 13.11 (332.99)  
Height: 11.43 (290.32)  
Weight: Approx. 19 lbs (8.62 kg)  
Pallet quantity: 12 fixtures  
EPA: 0.787 sq. ft. wind loading

### A+ Capable Luminaire

This item is an A+ capable luminaire, which has been designed and tested to provide consistent color appearance and out-of-the-box control compatibility with simple commissioning.

- All configurations of this luminaire meet the Acuity Brands' specification for chromatic consistency
- This luminaire is part of an A+ Certified solution for nLight® control networks marked by a **shaded background\***

To learn more about A+, visit [www.acuitybrands.com/aplus](http://www.acuitybrands.com/aplus).

\*See ordering tree for details

A+ Capable options indicated by this color background.

**ORDERING INFORMATION**

**Example:** PXLH 3000LM MDU5 MVOLT 40K 80CRI UNMMISC DGXD

Series	Lumen Package	Distribution	Voltage	Color Temperature	Color Rendering Index	Mounting	
PXLH	3000LM 3,000 lumens	FWD Forward throw, glass lens	MVOLT (120V-277V, 50/60Hz)	30K 3000K CCT	70CRI 70CRI	UNM Universal Mount, high profile top cap †	
	5000LM 5,000 lumens	LND Long and Narrow, glass lens	120 120V, 50/60Hz	40K 4000K CCT	80CRI 80CRI	PM Pendant Mount, low profile top cap †	
		MDO Medium, glass lens, with minimal uplight		50K 5000K CCT	90CRI 90CRI		
	8000LM 8,000 lumens	MDU5 Medium, glass lens, with uplight	208 208V, 50/60Hz	50K 5000K CCT			YK90 Yoke Mount 0-90 Degree, high profile top cap
		MDU5FR Medium, frosted glass lens, with uplight	240 240V, 50/60Hz				
	10000LM 10,000 lumens	SO Medium, silicon optic, with minimal uplight	277 277V, 50/60Hz	HVOLT (347V-480V, 50/60Hz)			
		SOLND Long and Narrow, silicone optic	347 347V, 50/60Hz				
		WD Wide, glass lens	480 480V, 50/60Hz				

Options	Finish
<p><b>Wet Location Cords (No Plug): †</b></p> <p>CNP16WWL3FT Cord only, 16-gauge, 3 conductors, white, 3ft</p> <p>CNP164CWL3FT Cord only, 16-gauge, 4 conductors, black, 3ft †</p> <p>CNP164CWL3FT Cord only, 16-gauge, 4 conductors, white, 3ft †</p> <p>CNP165CDWL3FT Cord only, 16-gauge, 5 conductors, includes 0-10V dimming leads, black, 3ft †</p> <p>CNP165CDWWL3FT Cord only, 16-gauge, 5 conductors, includes 0-10V dimming leads, white, 3ft †</p> <p><b>Mounting Accessories:</b></p> <p>072331 Substation arm for a single luminaire, down orientation only †</p> <p>072331CTL Substation arm for a single luminaire with integral sensor, down orientation only †</p> <p>P3US Universal arm for wall or stanchion mount †</p> <p>P3US35 35° Universal arm for wall or stanchion mount †</p>	<p>DBXD Black super durable, corrosion resistant †</p> <p>DGXD Gray super durable, corrosion resistant †</p> <p>DWHXD White super durable, corrosion resistant †</p>
<p><b>Individual Non-Dimming Sensors: †</b></p> <p>SBGR10 360° Low Mount Sensor, (8-15' mounting heights), on/off occupancy (LINK)</p> <p>SBGR10 P 360° Low Mount Sensor, (8-15' mounting heights), on/off photocell (LINK)</p> <p><b>Individual Dimming Sensor: †</b></p> <p>SBGR10 D 3V 360° Low Mount sensor, (8-15' mounting heights), high/low occupancy dimming (LINK)</p> <p><b>Bluetooth® Sensors: †</b></p> <p>SBG10 OCC BTP 360° Low Mount Sensor, (7-15' mounting heights), on/off occupancy, utilizes smart hub for Bluetooth® programmability (LINK)</p> <p>SBG10 HL BTP 360° Low Mount Sensor, (7-15' mounting heights), high/low/(off) occupancy dimming, utilizes smart hub for Bluetooth® programmability (LINK)</p> <p>SBG10 ADC BTP 360° Low Mount Sensor, (7-15' mounting heights), on/off occupancy with auto dimming photocell, utilizes smart hub for Bluetooth® programmability (LINK)</p> <p>SBG10 ANL BTP 360° Low Mount Sensor, (7-15' mounting heights), high/low/(off) occupancy dimming with auto dimming photocell, utilizes smart hub for Bluetooth® programmability (LINK)</p> <p><b>Emergency:</b></p> <p>BSL310HAZSB 10.4W Internal hazardous location emergency driver, 0°C min, UL924 Compliant, Certified in CA Title 20 MAEDBS †</p> <p><b>Other Options:</b></p> <p>AO Field Adjustable Output, Standard setting is 8 †</p> <p>BP Button style photo control †</p> <p>EMD Ingress/Egress Marker Decal</p> <p>NSG Non Silicone Gasket (EPDM) †</p> <p>PC Pendant Cone †</p> <p>UPS Uplight Shield †</p> <p>WGX Zinc coated wire guard, factory installed</p> <p>MISC Mex</p>	

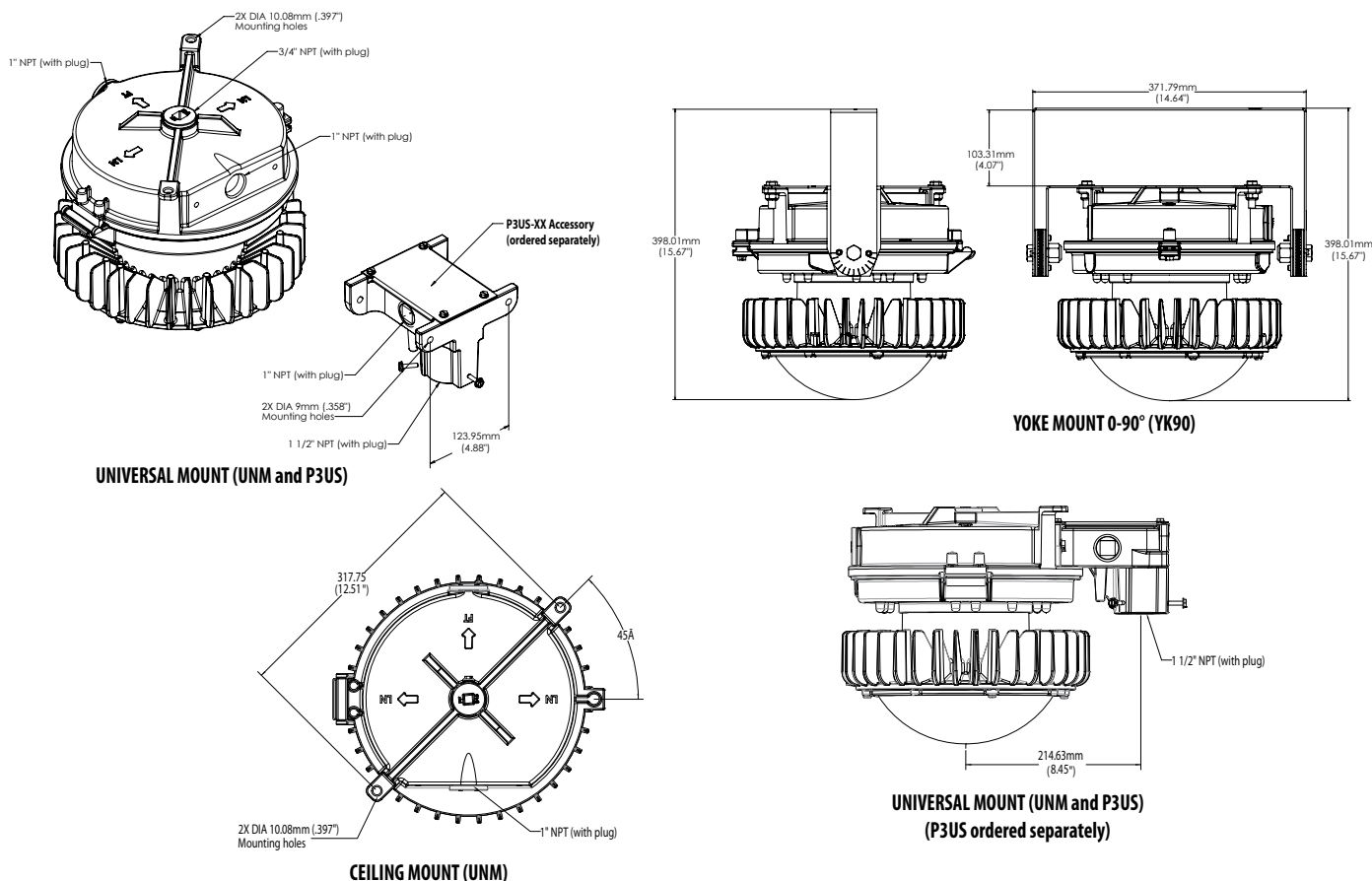
NOTE: † indicates option chosen has ordering restrictions. Please reference ordering restrictions chart.

Accessories: Order as separate catalog number.	
072331 XX CR	Substation arm for a single luminaire, down orientation only, XX denotes color †
072331 CTL XX CR	Substation arm for a single luminaire with sensor, down orientation only †
HSCCKX	X inch safety chain kit †
MI3502 THREAD SEAL	Thread Sealant †
P3US XX CR	Universal arm for wall or stanchion mount, XX denotes color †
P3US35 XX CR	35° Universal arm for wall or stanchion mount, XX denotes color †
PCPXLW XX CR	Pendant Cone, XX denotes color †
UPSPXLW XX CR	Uplight shield, XX denotes color †
WGPXLW	Zinc coated wire Guard

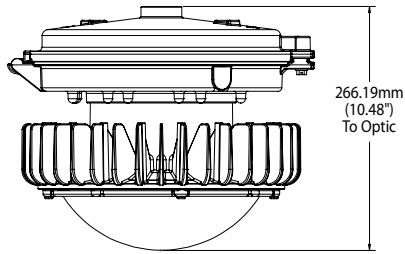
For Footnotes, see next page.

Option Value Ordering Restrictions & Notes	
Option value	Restriction
072331CTL, 072331 CTL XX CR	Not available with YK90, cord or cordset. Requires PM or UNM mounting. Includes one 3 conductor input feed cable. <b>Not IP rated</b> , suitable for use in wet locations.
072331, 072331 XX CR	Not available with YK90, cord or cordset. Requires PM or UNM mounting. Includes one 5 conductor input feed cable with input power and 0-10V dimming leads. <b>Not IP rated</b> , suitable for use in wet locations.
AO	Not available with BSL310HAZSB, CNP165CDWL3FT, CNP165CDWWL3FT, SBGR10 D 3V individual dimming sensor or SBG10 BTP Bluetooth sensors.
Bluetooth® Sensors	Not available with HVOLT in the 3000LM or 5000LM lumen packages. BTP sensor options with 3000LM or 5000LM lumen packages cannot dim to OFF. These lumen packages will dim to 10% minimum and cannot be turned OFF with controls. Not available with CNP165CDWL3FT, CNP165CDWWL3FT, AO or BSL310HAZSB in any lumen package. <b>IP66 rated</b> .
BP	Not available with MVOLT, HVOLT or 480.
BSL310HAZSB	Utilizes Bodine BSL310HAZSB emergency driver. Available with SBGR10 or SBGR10 P individual non-dimming sensors. Not available with AO adjustable output, PM mounting, HVOLT, 347, 480, SBGR10 D 3V individual dimming sensor or SBG10 BTP Bluetooth sensors. Available with CNP164CWL3FT or CNP164CWWL3FT, but not required.
CNP164CWL3FT, CNP164CWWL3FT	Available with BSL310HAZSB battery only.
CNP165CDWL3FT, CNP165CDWWL3FT	Not available with AO adjustable output, SBG BTP bluetooth sensors, BSL310HAZSB battery or SBG individual dimming and non-dimming sensors.
DBXD, DGXD, DWHXD	Corrosion resistant finish is standard.
HSCXX	X denotes length. Available in multiple sizes. Replace X with size in inches. Example: HSC120 = 120 inches or 10 feet.
Individual Dimming Sensor	Not available with CNP165CDWL3FT, CNP165CDWWL3FT or AO. <b>IP66 rated</b> .
Individual Non-Dimming Sensors	<b>IP66 rated</b> .
MI3502 THREAD SEAL	Order one per luminaire, 6ml tube.
NSG	Not available with SO or SOND. Available with Class 1 Division 2 listing only.
P3US, P3US XX CR, P3US35, P3US35 XX CR	Not available with PM, YK90 or cord. Requires UNM mounting. <b>Not IP rated</b> , suitable for use in wet locations.
PC, PCPXLW XX CR	Not available with UNM or YK90. Requires PM Mounting. Requires minimum 8" customer provided stem.
PM	Not available with BSL310HAZSB battery. Ships with 3/4" NPT pendant opening.
UNM	Includes provisions for 3/4" NPT pendant mount and ceiling mount. When ordered with the P3US universal mounting arm, includes provisions for 1.5" NPT stanchion mount and wall mount.
UPS, UPSPXLW XX CR	When paired with any sensor option, the sensor viewing angle will be cutoff.
Wet Location Cords (No Plug)	Available with YK90 only.

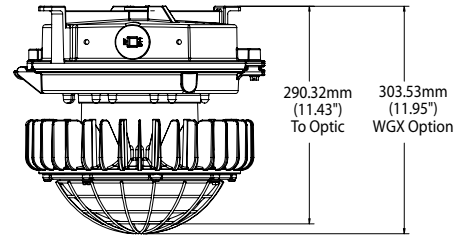
**DIMENSIONAL DATA**



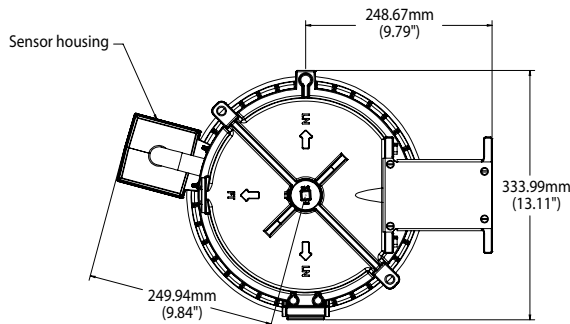
**DIMENSIONAL DATA** (continued)



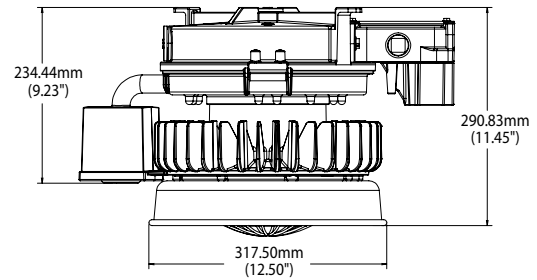
**PENDANT MOUNT (PM)**



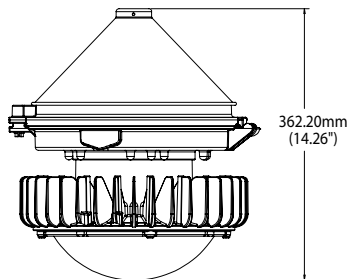
**WIRE GUARD OPTION (UNM AND WGX)**



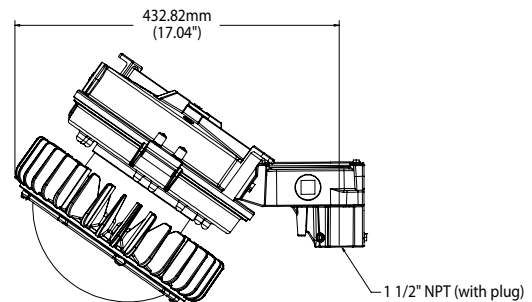
**SENSOR OPTION (UNM AND P3US)  
(P3US ORDERED SEPARATELY)**



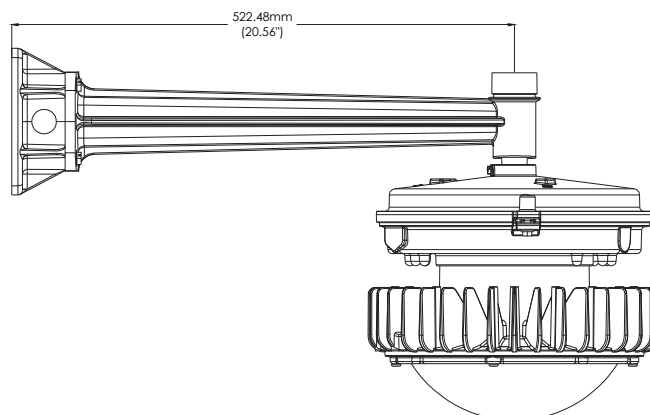
**UPLIGHT SHIELD OPTION  
(UNM AND P3US AND SENSOR AND UPS)  
(P3US ORDERED SEPARATELY)**



**PENDANT CONE ACCESSORY**



**UNIVERSAL MOUNTING (UNM) with P3US35 Accessory  
(must order separately)**



**072331 SUBSTATION ARM (PM) - AVAILABLE AS DOWN ORIENTATION ONLY**

**OPERATIONAL DATA**

**Performance with AO Field Adjustable Output**

FAO Setting	Base Max Lumen Output %
1	35%
2	48%
3	61%
4	74%
5	87%
6	100%
7	100%
8	100%

**Number of LED Boards and Drivers Used**

Lumen Package	Number of LED boards per fixture	Number of drivers per fixture
3000LM	1	1
5000LM	1	1
8000LM	1	1
10000LM	1	1

**Impact Resistance (IK Ratings)**

Lens Material	Rating
Glass	IK07
Silicone	IK10

**Projected Lumen Maintenance (TM-21)**

25C ambient						
Lumen Package	0 Hours	15,000 Hours	30,000 Hours	45,000 Hours	60,000 Hours	100,000 Hours
3,000LM	1	0.97	0.95	0.92	0.9	0.84
5,000LM	1	0.97	0.95	0.92	0.9	0.84
8,000LM	1	0.97	0.94	0.92	0.89	0.83
10,000LM	1	0.97	0.95	0.92	0.9	0.84

55C ambient						
Lumen Package	0 Hours	15,000 Hours	30,000 Hours	45,000 Hours	60,000 Hours	100,000 Hours
3,000LM	1	0.97	0.94	0.91	0.88	0.81
5,000LM	1	0.97	0.94	0.91	0.89	0.82
8,000LM	1	0.96	0.93	0.89	0.86	0.78
10,000LM	1	0.96	0.93	0.9	0.87	0.79

**Default Bluetooth Sensor Programming**

Model	Default Operation	Occupancy Time Delay	Photocell Mode	Photocell Set-point	Low Trim	High Trim	Dim to Off Time Delay
SBG10 OCC BTP	On/Off Occupancy Only	10 minutes	Disabled	n/a	n/a	100%	Disabled
SBG10 HL BTP	Occupancy w/ 0-10V Dimming (High/Low/Off)	10 minutes	Disabled	n/a	10%	100%	2.5 minutes
SBG10 ADC BTP	On/Off Occupancy with Auto Dimming Photocell	10 minutes	On/Off & Auto Dim	50 fc	10%	100%	0 seconds
SBG10 ANL BTP	High/Low/(Off) Occupancy Dimming with Auto Dimming Photocell	10 minutes	On/Off & Auto Dim	50 fc	10%	100%	Stay Dim/Never Off

### Operating Characteristics

Package	Distribution	Delivered lumens at 3000K CCT 70CRI @ 25C	Delivered lumens at 3000K CCT 80CRI @ 25C	Delivered lumens at 3000K CCT 90CRI @ 25C	Delivered lumens at 4000K CCT 70CRI @ 25C	Delivered lumens at 4000K CCT 80CRI @ 25C	Delivered lumens at 4000K CCT 90CRI @ 25C	Delivered lumens at 5000K CCT 70CRI @ 25C	Delivered lumens at 5000K CCT 80CRI @ 25C	Delivered lumens at 5000K CCT 90CRI @ 25C	Wattage	LPW @ 4000K 80CRI
3000LM	FWD	2848	2621	2167	2988	2712	2184	3110	2746	2202	21	127
	MDO	3035	2793	2308	3183	2785	2327	3314	2821	2346	21	130
	MDU5	2700	2485	2054	2833	2803	2071	2949	2839	2087	21	131
	MDU5FR	3021	2780	2298	3169	2883	2316	3299	2920	2335	21	135
	LND	2698	2483	2053	2831	2596	2069	2947	2630	2086	21	121
	SO	3182	2928	2421	3338	2934	2440	3475	2971	2460	21	137
	WD	3098	2851	2357	3250	2850	2376	3383	2887	2395	21	133
5000LM	FWD	4852	4465	3691	5090	4619	3721	5298	4679	3750	35	130
	MDO	5169	4757	3933	5423	4745	3964	5645	4805	3996	35	134
	MDU5	4600	4233	3499	4826	4776	3528	5023	4837	3556	35	135
	MDU5FR	5146	4735	3915	5398	4911	3946	5619	4974	3978	35	139
	LND	4597	4230	3497	4822	4423	3525	5020	4480	3553	35	125
	SO	5421	4989	4124	5687	4998	4157	5920	5062	4191	35	141
	WD	5278	4857	4015	5537	4856	4048	5764	4918	4080	35	137
8000LM	FWD	7751	7133	5896	8131	7380	5944	8464	7474	5991	58	128
	MDO	8258	7600	6282	8664	7580	6333	9018	7677	6384	58	132
	MDU5	7349	6763	5590	7709	7629	5636	8025	7727	5681	58	132
	MDU5FR	8221	7565	6254	8624	7846	6304	8977	7947	6355	58	136
	LND	7344	6758	5586	7704	7066	5632	8019	7156	5677	58	123
	SO	8660	7970	6588	9085	7984	6641	9457	8086	6694	58	139
	WD	8432	7759	6414	8846	7757	6466	9208	7857	6518	58	135
10000LM	FWD	9796	9015	7452	10277	9327	7512	10698	9447	7573	74	126
	MDO	10438	9605	7940	10950	9580	8004	11398	9703	8068	74	129
	MDU5	9288	8547	7066	9744	9643	7123	10143	9766	7180	74	130
	MDU5FR	10390	9561	7904	10900	9916	7968	11346	10044	8032	74	134
	LND	9281	8541	7061	9737	8930	7118	10136	9045	7175	74	121
	SO	10946	10073	8327	11483	10091	8394	11953	10220	8461	74	136
	WD	10657	9807	8107	11180	9804	8173	11638	9930	8238	74	132

### Ambient Temperature Ratings

Mounting	OCC Sensor: SBGR	BTP Sensor: SBG BTP	Battery: BSL310HAZSB	Voltage	Lumens				Supply Wire
					3000LM	5000LM	8000LM	10000LM	
PM UNM YK90	N	N	N	Any	-40°C to 65°C	-40°C to 65°C	-40°C to 60°C	-40°C to 55°C	90°C
			Y	120-277	0°C to 40°C	0°C to 40°C	0°C to 35°C	0°C to 35°C	90°C
		Y	N	Any	-40°C to 60°C	-40°C to 60°C	-40°C to 60°C	-40°C to 55°C	90°C
	Y	N	N	Any	-40°C to 65°C	-40°C to 65°C	-40°C to 60°C	-40°C to 55°C	90°C
			Y	120-277	0°C to 40°C	0°C to 40°C	0°C to 35°C	0°C to 35°C	90°C
		N	N	Any	-40°C to 60°C	-40°C to 60°C	-40°C to 60°C	-40°C to 55°C	90°C

**Glass Lens (MD0, MDU5, MDU5GLF, WD, ND, FWD)**

40C° Ambient			
Lumen Package	C1D2	C2D1/C2D2/C3	Simultaneous C1 and C2
3000LM	T4	T6	T3
5000LM	T4	T6	T2C
8000LM	T4	T6	T3
10000LM MVOLT	T2C	T6	T3
10000LM HVOLT	T2	T4	T2C

60C° Ambient			
Lumen Package	C1D2	C2D1/C2D2/C3	Simultaneous C1 and C2
3000LM	T4	T6	T2C
5000LM	T3A	T6	T2C
8000LM	T4	T6	T2C
10000LM MVOLT	N/A	N/A	N/A
10000LM HVOLT	N/A	N/A	N/A

55C° Ambient			
Lumen Package	C1D2	C2D1/C2D2/C3	Simultaneous C1 and C2
3000LM	T3C	T6	T2D
5000LM	T3	T6	T2D
8000LM	T3C	T6	T2D
10000LM MVOLT	T3	T6	T2D
10000LM HVOLT	T2A	T3C	T2

65C° Ambient			
Lumen Package	C1D2	C2D1/C2D2/C3	Simultaneous C1 and C2
3000LM	T3C	T6	T2C
5000LM	T3A	T6	T2C
8000LM	N/A	N/A	N/A
10000LM MVOLT	N/A	N/A	N/A
10000LM HVOLT	N/A	N/A	N/A

**Silicone Lens (S0, SOND)**

40C° Ambient			
Lumen Package	C1D2	C2D2/C3	Simultaneous C1 and C2
3000LM	T4	T6	T2A
5000LM	T4	T6	T2A
8000LM	T4	T6	T2A
10000LM MVOLT	T2C	T6	T2A
10000LM HVOLT	T2	T6	T2A

60C° Ambient			
Lumen Package	C1D2	C2D2/C3	Simultaneous C1 and C2
3000LM	T4	T5	T2
5000LM	T3A	T5	T2
8000LM	T4	T5	T2
10000LM MVOLT	N/A	N/A	N/A
10000LM HVOLT	N/A	N/A	N/A

55C° Ambient			
Lumen Package	C1D2	C2D2/C3	Simultaneous C1 and C2
3000LM	T3C	T5	T2
5000LM	T3	T5	T2
8000LM	T3C	T5	T2
10000LM MVOLT	T3	T5	T2
10000LM HVOLT	T2A	T5	T2

65C° Ambient			
Lumen Package	C1D2	C2D2/C3	Simultaneous C1 and C2
3000LM	T3C	T4A	T1
5000LM	T3A	T4A	T1
8000LM	N/A	N/A	N/A
10000LM MVOLT	N/A	N/A	N/A
10000LM HVOLT	N/A	N/A	N/A

**Emergency Lumen Output**

**How to Estimate Delivered Lumens in Emergency Mode**  
 Use the formula below to estimate the delivered lumens in emergency mode  
**Delivered Lumens = P x LPW**  
 P = Output power of emergency driver  
 LPW = Lumen per watt rating of the luminaire. (See charts on page 7)  
 The LPW rating is also available at [Designlight Consortium](#)  
 P = 10 watts for BSL310HAZSB

**Emergency Lumen Output Example - 10 Watt Battery**

Approximate Luminaire Efficacy	Approximate Lumens at 1 Minute	Approximate Lumens at 45 Minutes	Approximate Lumens at 90 Minutes
100 LPW	1000	1000	<b>1000</b>
110 LPW	1100	1100	<b>1100</b>
120 LPW	1200	1200	<b>1200</b>
130 LPW	1300	1300	<b>1300</b>
140 LPW	1400	1400	<b>1400</b>
150 LPW	1500	1500	<b>1500</b>



### Hazardous Compatibility

Option Group	Options	Class I, Division 2	Class II, Division 1	Class II, Division 2	Class III
Distribution	FWD, MDO, MDU5, MDU5FR, LND, WD	YES	YES	YES	YES
	SO, SOLND	YES	NO	YES	YES
Mounting	PM, UNM, YK90	YES	YES	YES	YES
Finish	DBXD, DGXD, DWHXD	YES	YES	YES	YES
Cordsets	Any Cordset	YES	YES	YES	YES
Individual Sensors	SBGR10, SBGR10 P, SBGR10 D 3V	NO	NO	YES	YES
Bluetooth Sensors	SBG10 OCC BTP, SBG10 HL BTP, SBG10 ADC BTP, SBG10 ANL BTP	YES	NO	YES	YES
Emergency	BSL310HAZSB	YES	YES	YES	YES
Options	AO	NO	YES	YES	YES
	BP	YES	NO	YES	YES
	EMD	YES	YES	YES	YES
	NSG	YES	NO	NO	NO
	PC, PCPXLW	YES	YES	YES	YES
	UPS, UPSPXLW	YES	YES	YES	YES
	WGX, WGPXLW	YES	YES	YES	YES
Mounting Accessories	072331, 072331CTL	YES	NO	YES	YES
	P3US, P3US35	YES	YES	YES	YES

### Marine/NEMA4X Compatibility

Option Group	Options	Marine	NEMA4X
Distribution	FWD, MDO, MDU5, MDU5FR, LND, WD	YES	YES
	SO, SOLND	NO	NO
Mounting	PM, UNM	YES	YES
	YK90	NO	YES
Finish	DBXD	NO	NO
	DGXD	YES	YES
	DWHXD	YES	NO
Cordsets	Any Cordset	NO	NO
Individual Sensors	SBGR10, SBGR10 P, SBGR10 D 3V	NO	NO
Bluetooth Sensors	SBG10 OCC BTP, SBG10 HL BTP, SBG10 ADC BTP, SBG10 ANL BTP	NO	NO
Emergency	BSL310HAZSB	NO	NO
Photocontrol	BP	NO	NO
Options	AO	YES	YES
	EMD	YES	YES
	NSG	NO	NO
	PC, PCPXLW	NO	NO
	UPS, UPSPXLW	YES	YES
	WGX, WGPXLW	YES	YES
Mounting Accessories	072331, 072331CTL	YES	NO
	P3US, P3US35	NO	NO



## Zone Equivalency Markings

NEC Protections			
Area	Protection Techniques	Zone Equivalency Markings	
<b>Class I</b>			
Division 2	Hermetically-sealed	CLASS I, DIV 2, GROUP D	CLASS I, ZONE 2 GROUP IIA
	Nonincendive	CLASS I, DIV 2, GROUP C	CLASS I, ZONE 2 GROUP IIB
	Non-sparking	CLASS I, DIV 2, GROUP B	CLASS I, ZONE 1 GROUP IIB PLUS HYDROGEN
	Purged/Pressurized (Type Z)	CLASS I, DIV 2, GROUP A & CLASS I, DIV 2, GROUP B	CLASS I, ZONE 2 GROUP IIC
	Any Class I, Division 1 technique		
Any Class I, Zone 0, 1, or 2 technique			
<b>Class II</b>			
Division 1	Intrinsic Safety	CLASS II, DIV 1 GROUP E, F, OR G	CLASS II ZONE 20 AND ZONE 21
	Dust-ignitionproof		
	Pressurized		
Division 2	Dust tight	CLASS II, DIV 2, GROUP F OR G	CLASS II, ZONE 22
	Hermetically-sealed		
	Nonincendive		
	Pressurized		
	Any Class II, Division 1 technique		
<b>Class III</b>			
Division 1	Intrinsic Safety	N/A	N/A
	Dust tight		
	Hermetically-sealed		
Division 2	Nonincendive	N/A	N/A
	Any Class III, Division 1 technique		

## Options and Accessories



**SBGR Sensor**



**SBG BTP Sensor and BTP Smarthub Control Module**



**AO Adjustable Output**



**PM Pendant Mount**



**UNM Universal Mount and WGX Wire Guard**



**YK90 Yoke Mount**