



D-Series Size 0 Solar

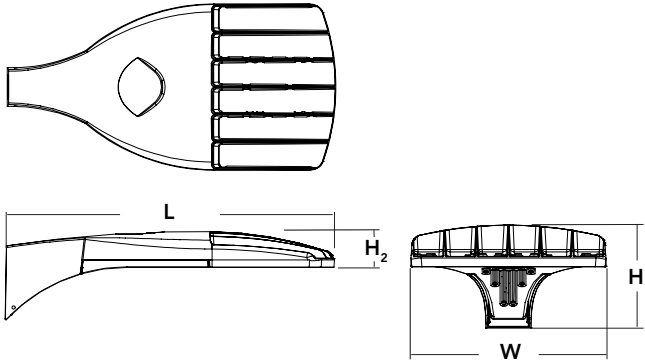
Legacy LED Area Luminaire



d#series

Specifications

EPA:	0.95 ft ² (.09 m ²)
Length:	26" (66.0 cm)
Width:	13" (33.0 cm)
Height₁:	7" (17.8 cm)
Height₂:	3" (95.6 cm)
Weight (max):	16 lbs (7.25 kg)



Catalog Number

Notes

Type

Hit the Tab key or mouse over the page to see all interactive elements.

Introduction

The modern styling of the D-Series is striking yet unobtrusive - making a bold, progressive statement even as it blends seamlessly with its environment.

The D-Series distills the benefits of the latest in LED technology into a high performance, high efficacy, long-life luminaire. The outstanding photometric performance results in sites with excellent uniformity, greater pole spacing and lower power density.

Ordering Information

EXAMPLE: DSX0 LED P2 40K T3M SOLAR SPA DDBXD G1

DSX0 LED															
Series	LEDs	Color temperature		Distribution		Voltage		Mounting		Other options		Finish (required)		Generation (required)	
DSX0 LED	Forward optics	30K	3000K	T1S	Type I short	SOLAR	Only Compatible with Sol By Sunna Design's Solar Lighting Solutions ²	Shipped included SPA Square pole mounting RPA Round pole mounting WBA Wall bracket SPUMBA Square pole universal mounting adaptor ³ RPUMBA Round pole universal mounting adaptor ³		Shipped installed HS House-side shield ^{4,5} BAA Buy America(n) Act Compliant		DDBXD	Dark bronze	G1	Generation 1
	P1 6,000 lumens	40K	4000K	T2S	Type II short							DBLXD	Black		
	P2 12,000 lumens	50K	5000K	T2M	Type II medium							DNAXD	Natural aluminum		
				T3S	Type III short							DWHXD	White		
				T3M	Type III medium							DDBTXD	Textured dark bronze		
				T4M	Type IV medium							DBLBXD	Textured black		
				TFTM	Forward throw medium							DNATXD	Textured natural aluminum		
				T5VS	Type V very short							DWHGXD	Textured white		
				T5S	Type V short										
				T5M	Type V medium										
				T5W	Type V wide										
				BLC	Backlight control ¹										
				LCCO	Left conner cutoff ¹										
				RCCO	Right conner cutoff ¹										

NOTES

- Not available with HS.
- No Driver included, input power managed via Sol By Sunna's EverGen Solar Lighting Engine. Wattage depends on project location and Solar Engine size.**
- Available as a separate combination accessory: PUMBA (finish) U. For retrofit onto metal poles not drilled with Template #8.
- Also available as a separate accessory; see Accessories information.
- Not available with BLC, LCCO or RCCO.



COMMERCIAL OUTDOOR

One Lithonia Way • Conyers, Georgia 30012 • Phone: 800-705-SERV (7378) • www.lithonia.com

DSX0-LED Special Solar G1

© 2011-2022 Acuity Brands Lighting, Inc. All rights reserved.

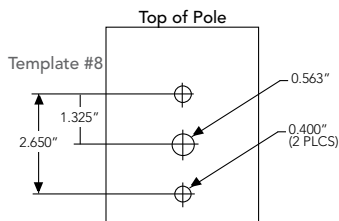
Rev. 12/20/22

Authorized Distributor: Mozuss I Salid Comercializadora, S.A. de C.V. | www.mozuss.com | Ph. 52 55 2620.4856 | ventas@mozuss.com

Page 1 of 3

Drilling

Drilling



Accessories

Ordered and shipped separately.

- DSX0HS 20C U G1 House-side shield for 20 LED unit
- DSX0HS 40C U G1 House-side shield for 40 LED unit
- DSX0DDL U G1 Diffused drop lens (polycarbonate)
- PUMBA DDBXD U G1* Square and round pole universal mounting bracket adaptor (specify finish)*

For more control options, visit [DTL](#) and [ROAM](#) online.

Mounting Option	Drilling Template	Single	2 @ 180	2 @ 90
Head Location		Side B	Side B & D	Side B & C
Drill Nomenclature	#8	DM19AS	DM28AS	DM29AS

		Minimum Acceptable Outside Pole Dimension					
SPA	#8	2-7/8"	2-7/8"	3.5"	3.5"		3.5"
RPA	#8	2-7/8"	2-7/8"	3.5"	3.5"	3"	3.5"
SPUMBA	#5	2-7/8"	3"	4"	4"		4"
RPUMBA	#5	2-7/8"	3.5"	5"	5"	3.5"	5"

Performance Data

Lumen Output

Lumen values are from photometric tests performed in accordance with IESNA LM-79-08. Data is considered to be representative of the configurations shown, within the tolerances allowed by Lighting Facts. Contact factory for performance data on any configurations not shown here.

Forward Optics

Power Package	LED Count	System Watts	Distribution Type	30K (3000 K, 70 CRI)					40K (4000 K, 70 CRI)					50K (5000 K, 70 CRI)				
				Lumens	B	U	G	LPW	Lumens	B	U	G	LPW	Lumens	B	U	G	LPW
P1	20	Up to 92W With Sol Solar Engine* or 49W with 24VDC Driver (49W Lumen Output Shown)	T1S	5,570	1	0	1	114	6,001	1	0	1	122	6,077	2	0	2	124
			T2S	5,564	1	0	2	114	5,994	1	0	2	122	6,070	2	0	2	124
			T2M	5,593	1	0	1	114	6,025	1	0	1	123	6,102	1	0	1	125
			T3S	5,417	1	0	2	111	5,835	1	0	2	119	5,909	2	0	2	121
			T3M	5,580	1	0	2	114	6,011	1	0	2	123	6,087	1	0	2	124
			T4M	5,458	1	0	2	111	5,880	1	0	2	120	5,955	1	0	2	122
			TFTM	5,576	1	0	2	114	6,007	1	0	2	123	6,083	1	0	2	124
			TSVS	5,799	2	0	0	118	6,247	2	0	0	127	6,327	2	0	0	129
			T5S	5,804	2	0	0	118	6,252	2	0	0	128	6,332	2	0	1	129
			T5M	5,789	3	0	1	118	6,237	3	0	1	127	6,316	3	0	1	129
			T5W	5,834	3	0	2	119	6,285	3	0	2	128	6,364	3	0	2	130
			BLC	4,572	1	0	1	93	4,925	1	0	1	101	4,987	1	0	1	102
			LCCO	3,402	1	0	2	69	3,665	1	0	2	75	3,711	1	0	2	76
			RCCO	3,402	1	0	2	69	3,665	1	0	2	75	3,711	1	0	2	76
P2	40	Up to 100W With Sol Solar Engine* or 89W with 24VDC Driver (89W Lumen Output Shown)	T1S	10,831	2	0	2	122	11,668	2	0	2	131	11,816	2	0	2	133
			T2S	10,820	2	0	2	122	11,656	2	0	2	131	11,803	2	0	2	133
			T2M	10,876	2	0	2	122	11,716	2	0	2	132	11,864	2	0	2	133
			T3S	10,532	2	0	2	118	11,346	2	0	2	127	11,490	2	0	2	129
			T3M	10,849	2	0	2	122	11,687	2	0	2	131	11,835	2	0	2	133
			T4M	10,613	2	0	3	119	11,434	2	0	3	128	11,578	2	0	3	130
			TFTM	10,842	2	0	2	122	11,680	2	0	2	131	11,828	2	0	2	133
			TSVS	11,276	3	0	1	127	12,148	3	0	1	136	12,302	3	0	1	138
			T5S	11,286	3	0	1	127	12,158	3	0	1	137	12,312	3	0	1	138
			T5M	11,257	4	0	2	126	12,127	4	0	2	136	12,280	4	0	2	138
			T5W	11,344	4	0	3	127	12,221	4	0	3	137	12,375	4	0	3	139
			BLC	8,890	1	0	2	100	9,576	1	0	2	108	9,698	1	0	2	109
			LCCO	6,615	1	0	3	74	7,126	1	0	3	80	7,216	1	0	3	81
			RCCO	6,615	1	0	3	74	7,126	1	0	3	80	7,216	1	0	3	81

*Wattage depends on project location and Solar Engine size. Contact the Sol By Sunna Design's Sales Team for quoting your Acuity Solar Lighting Solutions. Email: sales@solarlighting.com or Call: 1-800-959-1329



COMMERCIAL OUTDOOR

One Lithonia Way • Conyers, Georgia 30012 • Phone: 800-705-SERV (7378) • www.lithonia.com

DSX0-LED Special Solar G1

Rev. 12/20/22

© 2011-2022 Acuity Brands Lighting, Inc. All rights reserved.

Authorized Distributor: Mozuss | Salid Comercializadora, S.A. de C.V. | www.mozuss.com | Ph. 52 55 2620.4856 | ventas@mozuss.com

Page 2 of 3

FEATURES & SPECIFICATIONS

INTENDED USE

The sleek design of the D-Series Size 0 reflects the embedded high performance LED technology. It is ideal for many commercial and municipal applications, such as parking lots, plazas, campuses, and pedestrian areas.

CONSTRUCTION

Single-piece die-cast aluminum housing has integral heat sink fins to optimize thermal management through conductive and convective cooling. Modular design allows for ease of maintenance and future light engine upgrades. The LED driver is mounted in direct contact with the casting to promote low operating temperature and long life. Housing is completely sealed against moisture and environmental contaminants (IP65). Low EPA (0.95 ft²) for optimized pole wind loading.

FINISH

Exterior parts are protected by a zinc-infused Super Durable TGIC thermoset powder coat finish that provides superior resistance to corrosion and weathering. A tightly controlled multi-stage process ensures a minimum 3 mils thickness for a finish that can withstand extreme climate changes without cracking or peeling. Available in both textured and non-textured finishes.

OPTICS

Precision-molded proprietary acrylic lenses are engineered for superior area lighting distribution, uniformity, and pole spacing. Light engines are available in 3000 K, 4000 K or 5000 K (70 CRI) configurations. The D-Series Size 0 has zero uplight and qualifies as a Nighttime Friendly™ product, meaning it is consistent with the LEED® and Green Globes™ criteria for eliminating wasteful uplight.

ELECTRICAL

Light engine(s) configurations consist of high-efficacy LEDs mounted to metal-core circuit boards to maximize heat dissipation and promote long life (up to L85/100,000 hours at 25°C).

INSTALLATION

Included mounting block and integral arm facilitate quick and easy installation. Stainless steel bolts fasten the mounting block securely to poles and walls, enabling the D-Series Size 0 to withstand up to a 3.0 G vibration load rating per ANSI C136.31. The D-Series Size 0 utilizes the AERIS™ series pole drilling pattern (template #8). Optional terminal block and NEMA photocontrol receptacle are also available.

LISTINGS

UL Listed for wet locations. Light engines are IP66 rated; luminaire is IP65 rated. Rated for -40°C minimum ambient. U.S. Patent No. D672,492 S. International patent pending.

International Dark-Sky Association (IDA) Fixture Seal of Approval (FSA) is available for all products on this page utilizing 3000K color temperature only.

BUY AMERICAN ACT

Product with the BAA option is assembled in the USA and meets the Buy America(n) government procurement requirements under FAR, DFARS and DOT regulations. Please refer to www.acuitybrands.com/buy-american for additional information.

WARRANTY

5-year limited warranty. This is the only warranty provided and no other statements in this specification sheet create any warranty of any kind. All other express and implied warranties are disclaimed. Complete warranty terms located at: www.acuitybrands.com/support/warranty/terms-and-conditions

Note: Actual performance may differ as a result of end-user environment and application.
All values are design or typical values, measured under laboratory conditions at 25 °C.
Specifications subject to change without notice.

