

Catalog Number	
Notes	Type

Vantage® LED

LED High Bay



Dimensions: Inches (millimeters) unless otherwise noted.

Diameter: 20.65 (524.51)
 Height: 16.67 (423.42)
 Weight: 36 lbs. (16.3 kg)

Description

The Vantage LED luminaire exceeds rigorous demands of food-processing plants and related areas, thanks to its strategic sloped shape and ultra-sleek corrosion-resistant finish that repels water and lacks spaces for food, dirt or debris to hide.

Optics

- Prismatic acrylic or polycarbonate optic directs light where needed and reduces harsh glare.
- Certain airborne contaminants can diminish the integrity of acrylic and/or polycarbonate. [Click here for Acrylic-Polycarbonate Compatibility table for suitable uses.](#)
- Certain airborne contaminants may adversely affect the functioning of LEDs and other electronic components, depending on various factors such as concentrations of the contaminants, ventilation, and temperature at the end-user location. [Click here for a list of substances that may not be suitable for interaction with LEDs and other electronic components.](#)
- Medium distribution with optional uplight reflector.
- Wide distribution with optional uplight reflector.
- Highly engineered LED system ensures superior uniformity and maximizes spacing.

Electrical

- 0–10V dimming driver is standard. Dims to 10%.
- XVOLT is an optional robust driver solution designed to assist with power quality issues and a dropped neutral in 277V input as derived from 480V Wye. Supports 277–480V; 6kV surge rated.
- 70 CRI, 80 CRI, 90 CRI available
- 3000K, 4000K or 5000K CCT available.
- Fault-tolerant LED light engine continues to provide light even in the failure of one LED.
- Aluminum core printed circuit board.
- Standard Surge Protection Level: Designed to withstand up to 10kV/5kA per ANSI C82.77-5-2015.
- Optional Surge Protection Level: Designed to withstand up to 20 kV/10kA per ANSI C82.77-5-2015 when ordered with the SPD20K or SPD20KH options.

Mechanical

- Robust cast aluminum housing with low copper content (0.6% CU content) withstands harsh or hostile environments.
- Pendant mount standard.
- Corded options available. Cord will be side mounted and a solid PF-646 hook will be included.
- Standard fixture color is white.
- Super durable TGIC thermoset powder coat finish provides 1500 hours salt fog rating per ASTM B117.

Listings

- UL Listed to US and Canadian Standards.
- Suitable for use in wet locations.
- Suitable for use in Class II, Division 2, Groups F and G hazardous applications (UL844) with HAZ option.
- Zone Equivalency Markings with HAZ option. (see chart on page 9)
- -40°F (-40°C) to 131°F (55°C) ambient temperature rating. (see chart on page 8)
- IP65, IP66, IP67 rated. IP69K rated (1500psi hosedown).
- NSF Splash Zone 2 and Non-Food Zone rated.
- IK rated (see chart on page 9).
- 1G vibration rated.
- Patent No. 10,571,096.
- DesignLights Consortium® (DLC) Premium qualified product. Not all versions of this product may be DLC Premium qualified. Please check the DLC Qualified Products List at www.designlights.org/QPL to confirm which versions are qualified.

Warranty

5-year limited warranty. This is the only warranty provided and no other statements in this specification sheet create any warranty of any kind. All other express and implied warranties are disclaimed. Complete warranty terms located at: www.acuitybrands.com/support/warranty/terms-and-conditions

Note: Actual performance may differ as a result of end-user environment and application.

All values are design or typical values, measured under laboratory conditions at 25 °C. Specifications subject to change without notice.

Typical Applications

- Food & beverage processing
- Poultry & meat processing
- Beverage processing
- Chemical facilities
- Pharmaceutical plants
- Pet-food production

Embed nLight controls today. Prepare for tomorrow.

Now	Tomorrow
User-friendly install	Scalability
Enhanced energy savings	Space configuration
Code compliance	Future-ready

A+ Capable Luminaire

This item is an A+ capable luminaire, which has been designed and tested to provide consistent color appearance and out-of-the-box control compatibility with simple commissioning.

- All configurations of this luminaire meet the Acuity Brands' specification for chromatic consistency
- This luminaire is part of an A+ Certified solution for nLight® control networks marked by a **shaded background***

To learn more about A+, visit www.acuitybrands.com/aplus.

*See ordering tree for details

A+ Capable options indicated by this color background.

ORDERING INFORMATION

Example: VL 18000LM ACL MD MVOLT GZ10 40K 80CRI MISC

Series	Lumens	Lens	Distribution	Voltage	Driver	Color temperature	CRI
VL ‡	12000LM 12,000 lumens	ACL Acrylic Lens	MD Medium	MVOLT Auto Sensing (120-277V, 50/60Hz)	GZ10 0-10V dimming	30K 3000K CCT	70CRI 70 CRI
	15000LM 15,000 lumens	PCL Polycarbonate Lens	MDU Medium with upright reflector	120 120V, 50/60Hz		40K 4000K CCT	80CRI 80 CRI
	18000LM 18,000 lumens		WD Wide	208 208V, 50/60Hz		50K 5000K CCT	90CRI 90 CRI
	24000LM 24,000 lumens	WDU Wide with upright reflector	240 240V, 50/60Hz				
	28000LM 28,000 lumens		277 277V, 50/60Hz				
	32000LM 32,000 lumens			HVOLT Auto Sensing (347-480V, 50/60Hz)			
				347 347V, 50/60Hz			
				480 480V, 50/60Hz			
				XVOLT Enhanced Power Protection (277-480V, 50/60Hz)			
				277X 277V XVOLT driver, 50/60Hz			
				347X 347V XVOLT Driver, 50/60Hz			
				480X 480V XVOLT Driver, 50/60Hz			

Options

Wet Location Cord Sets:		Other Options:		Bluetooth® Sensors: ‡	
CPTL16WWL	Side entry cord with NEMA 15-amp twist lock plug, 16-gauge, 3 conductors, white, includes solid hook (PF-646), 6ft (120-277V only) ‡	DIM	0-10V pendant mount dimming ‡	SBG6 OCC BTP	360° High Mount Sensor, (15-45' mounting heights), on/off occupancy, utilizes smart hub for Bluetooth® programmability (LINK)
CPTL16GRAMWL	Side entry cord with NEMA 15-amp twist lock plug, 16-gauge, 3 conductors, green, antimicrobial, includes solid hook (PF-646), 6ft (120-277V only) ‡	HAZ	Hazardous location rated ‡	SBG6 HL BTP	360° High Mount Sensor, (15-45' mounting heights), high/low/off occupancy dimming, utilizes smart hub for Bluetooth® programmability (LINK)
CPTL20A16WWL	Side entry cord with NEMA 20-amp twist lock plug, 16-gauge, 3 conductors, white, includes solid hook (PF-646), 6ft (347 only) ‡	NSG	Non-silicone gasket	SBG6 ADC BTP	360° High Mount Sensor, (15-45' mounting heights), on/off occupancy with auto dimming photocell, utilizes smart hub for Bluetooth® programmability (LINK)
		SCKXXX	Safety chain, XXX denotes length	SBG10 OCC BTP	360° Low Mount Sensor, (7-15' mounting heights), on/off occupancy, utilizes smart hub for Bluetooth® programmability (LINK)
		SCSSXXX	Stainless Steel Safety Chain, XXX denotes length	SBG10 HL BTP	360° Low Mount Sensor, (7-15' mounting heights), high/low/off occupancy dimming, utilizes smart hub for Bluetooth® programmability (LINK)
		SPD20K	20kA surge protection ‡	SBG10 ADC BTP	360° Low Mount Sensor, (7-15' mounting heights), on/off occupancy with auto dimming photocell, utilizes smart hub for Bluetooth® programmability (LINK)
		SPD20KH	20kA surge protection ‡		
		TR	Remote housing ‡	Individual Dimming Sensors: ‡	
		MISC	Mex	SBGR6 D	360° High Mount sensor, (15-30' mounting heights), high/low occupancy dimming (LINK)
Wet Location Cords (no plug):		Emergency:		SBGR10 D	360° Low Mount sensor, (8-15' mounting heights), high/low occupancy dimming, (LINK)
CNP16WWL	Side entry cord, 16-gauge, 3 conductors, white, includes solid hook (PF-646), 6ft ‡	ETS	Automatic load control relay device (ALCR) for UL 924 operation when using auxiliary generator or central inverter (LINK) ‡	Individual Non-Dimming Sensors: ‡	
CNP16YWL	Side entry cord, 16-gauge, 3 conductors, yellow, includes solid hook (PF-646), 6ft ‡	FE10WCP	10 watt internal constant power emergency driver, 10°C min, UL924 compliant, certified in CA Title 20 MAEDBS ‡	SBGR6	360° High Mount sensor, (15-30' mounting heights), on/off occupancy (LINK)
CNP16WL	Side entry cord, 16-gauge, 3 conductors, black, includes solid hook (PF-646), 6ft ‡			SBGR10	360° Low Mount Sensor, (8-15' mounting heights), on/off occupancy (LINK)
CNP16GRAMWL	Side entry cord, 16-gauge, 3 conductors, green, antimicrobial, includes solid hook (PF-646), 6ft ‡			nLight® Air Wireless: ‡	
CNP164CWL	Side entry cord, 16-gauge, 4 conductors, black, includes solid hook (PF-646), 6ft ‡			NLTAIR2 RSBG6	nLight® Air Generation 2 enabled, 360° high mount sensor, (15-30' mounting heights) (LINK) ‡
CNP165CDWWL	Side entry cord, 16-gauge, 5 conductors, includes 0-10V dimming leads, white, includes solid hook (PF-646), 6ft ‡			NLTAIR2 RSBG6 ER	nLight® Air Generation 2 enabled, 360° high mount sensor, (15 to 30' mounting heights), UL 924 Emergency Operation utilizing IOTA® ETS (not available with battery pack) (LINK) ‡
				NLTAIR2 RSBG10	nLight® Air Generation 2 enabled, 360° low mount sensor, (8-15' mounting heights) (LINK) ‡
				NLTAIR2 RSBG10 ER	nLight® Air Generation 2 enabled, 360° low mount sensor, (8-15' mounting heights), UL 924 Emergency Operation utilizing IOTA® ETS (not available with battery pack) (LINK) ‡
				NLTAIR2 RSBG40	nLight® Air Generation 2 enabled, 360° high bay sensor, (40' mounting heights) (LINK) ‡
				NLTAIR2 RSBG40 ER	nLight® Air Generation 2 enabled, 360° high bay sensor, (40' mounting heights), UL 924 Emergency Operation utilizing IOTA® ETS (not available with battery pack) (LINK) ‡
				NLTAIR2 RIO	nLight® Air Generation 2 enabled, fixture embedded network interface, 0-10V dimming output (LINK) ‡
				NLTAIR2 RIO ER	nLight® Air Generation 2 enabled, fixture embedded network interface, 0-10V dimming output, UL924 Emergency Operation utilizing IOTA® ETS (not available with battery pack) (LINK) ‡

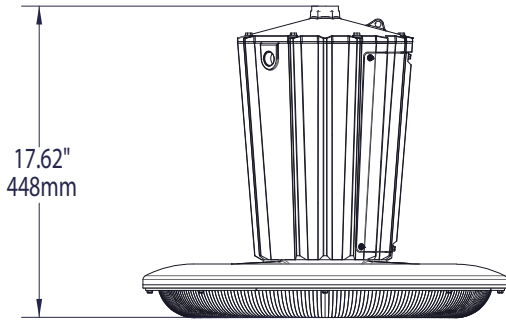
NOTE: ‡ indicates option chosen has ordering restrictions. Please reference ordering restrictions chart, page 3. Options are sorted alphanumerically.

For Option Value Ordering Restrictions and accessories, see page 3.

Accessories: Order as separate catalog number.	
HCRTLDW16WWL3FTL515R	Cord with Connector (Receptacle), Twist Lock, Daniel Woodhead, 16 Gauge, White, Wet Location, 3ft, NEMA L5-15R, (120V) ‡
HCRTLDW16WWL3FTL615R	Cord with Connector (Receptacle), Twist Lock, Daniel Woodhead, 16 Gauge, White, Wet Location, 3ft, NEMA L6-15R (208V or 240V) ‡
HCRTLDW16WWL3FTL715R	Cord with Connector (Receptacle), Twist Lock, Daniel Woodhead, 16 Gauge, White, Wet Location, 3ft, NEMA L7-15R (277V) ‡

‡ Option Value Ordering Restrictions	
Option value	Ordering restriction
Bluetooth® Sensors	Not available with XVOLT, 277X, 347X, 480X, DIM, FE10WCP Battery, TR remote housing or CNP165CDWWL cords. IP66 rated , not available for IP67 or IP69K applications.
CNP164CWL	Available with FE10WCP only. Not available with ETS or HAZ options. 3' and 6' lengths are standard. Must specify length in the nomenclature for 3'. Example: CNP4CWL3FT
CNP165CDWWL	Not available with DIM, ETS, FE10WCP Battery, HAZ, SBGR dimming sensors, SBG BTP sensors, NLTAIR2 RSBG sensors or NLTAIR2 RIO. 3' and 6' lengths are standard. Must specify length in the nomenclature for 3'. Example: CNP5CDWWL3FT
CNP16GRAMWL	Not available with ETS or HAZ. 3' and 6' lengths are standard. Must specify length in the nomenclature for 3'. Example: CPTL16WWLDWAM3FT
CNP16WWL, CNP16YWL, CNP16WL	Not available with ETS or HAZ. 3' and 6' lengths are standard. Must specify length in the nomenclature for 3'. Example: CNPWWL3FT
CPTL16WWL, CPTL20A16WWL	Not available with ETS or HAZ. Must specify voltage. NEMA plug configurations: 120 = L5-15P, 208 or 240 = L6-15P, 277 = L7-15P, 347 = L24-20P. 3' and 6' lengths are standard. Must specify length in the nomenclature for 3'. Example: CPTL16WWL3FT
CPTL16GRAMWL	Not available with ETS or HAZ. Must specify voltage. NEMA plug configurations: 120 = L5-15P, 208 or 240 = L6-15P, 277 = L7-15P. 3' and 6' lengths are standard. Must specify length in the nomenclature for 3'. Example: CPTL16WWLDWAM3FT
DIM	Extended leads for 0-10V dimming when pendant mounting the fixture. This option does not include a special dimming terminal. Not available with SBGR dimming sensors, SBG BTP sensors, NLTAIR2 RSBG sensors, NLTAIR2 RIO, Wet Location Cordsets or Wet Location Cords (no plug).
ETS	Utilizes IOTA® ETS DR automatic load control relay device. Not available with HVOLT, 347, 480, XVOLT, 347X, 480X or FE10WCP battery option. Allows for 0-10V dimming bypass when emergency power is provided by a generator or inverter. Requires dual voltage input. When NLTAIR2 sensor or RIO is ordered with ER option, ETS will be included. Not available with Wet Location Cord Sets or Wet Location Cords (no plug). Available with 5 conductor dual voltage input cord by special order.
FE10WCP	Utilizes Fulham® FHSCP-UNV-10P-SDWLT emergency driver with FHSBATL6-1.5L-SD, LiFePO4 battery. Available with (CNP164CWL) 4 conductor cord, but not required. Not available with HVOLT, 347, 480, XVOLT, 347X, 480X, SBG BTP sensors, ETS, HAZ or TR remote housing. IP67 rated , not available for IP69K applications.
HAZ	Not Available with XVOLT, 277X, 347X, 480X, NLTAIR2 RSBG sensors, NLTAIR2 RIO, FE10WCP, NSG, TR remote housing, Wet Location Cordsets or Wet Location Cords (no plug).
HCRTLDW16WWL3FTL515R	Ships separately. Receptacle for CPTL16WWLXFT or CPTL16GRAMWL cordsets. 3ft. is standard. 120V only. NEMA L5-15R receptacle.
HCRTLDW16WWL3FTL615R	Ships separately. Receptacle for CPTL16WWLXFT or CPTL16GRAMWL cordsets. 3ft. is standard. 208/240V only. NEMA L6-15R receptacle.
HCRTLDW16WWL3FTL715R	Ships separately. Receptacle for CPTL16WWLXFT or CPTL16GRAMWL cordsets. 3ft. is standard. 277V only. NEMA L7-15R receptacle.
Individual Dimming Sensors	Not available with DIM, ETS, TR remote housing or CNP165CDWWL cords. IP66 rated , not available for IP67 or IP69K applications.
Individual Non-Dimming Sensors	Available with DIM option. Not available with ETS or TR remote housing. IP66 rated , not available for IP67 or IP69K applications.
NLTAIR2 RSBG6, NLTAIR2 RSBG10, NLTAIR2 RSBG40, NLTAIR2 RIO	Not available with XVOLT, 277X, 347X, 480X, DIM, HAZ, TR remote housing or CNP165CDWWL. IP66 rated , not available for IP67 or IP69K applications.
NLTAIR2 RSBG6 ER, NLTAIR2 RSBG10 ER, NLTAIR2 RSBG40 ER, NLTAIR2 RIO ER	Not available with XVOLT, 277X, 347X, 480X, DIM, ETS, HAZ, TR remote housing or CNP165CDWWL. When ordered with the ER option, ETS device will be used. If cord is needed with ER sensor option, a 5 conductor dual voltage cord is available by special order. IP66 rated , not available for IP67 or IP69K applications.
SPD20K	Available with MVOLT, 120, 208, 240, 277 or 277X only.
SPD20KH	Available with HVOLT, 347, 347X, 480 or 480X only.
TR	Not available with HAZ, FE10WCP battery, SBG BTP sensors, SBGR sensors, NLTAIR2 RSBG sensors or NLTAIR2 RIO.
VL	When ordering with a cord or cord set, the cord will be side mounted and a solid hook will be provided. When ordering without a cord, the electrical wiring can be accessed through the top pendant. The fixture is not certified to use a hook/cord combination on the top of the luminaire. Cords or cord sets cannot be field installed as a different version of the driver housing is used depending on the options chosen.

DIMENSIONAL DATA

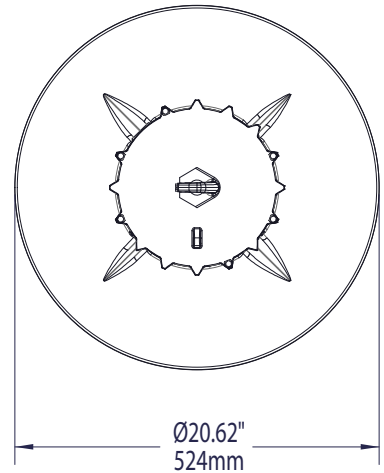
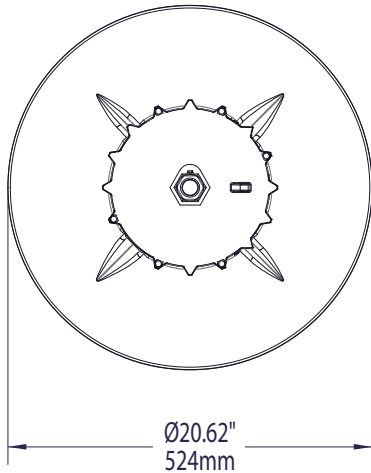


Pendant (Less Cord)

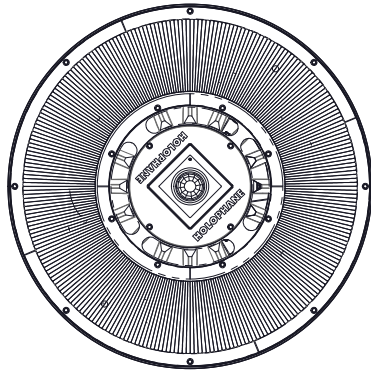


**Solid Hook
(Side Entry Cord Not Shown)**

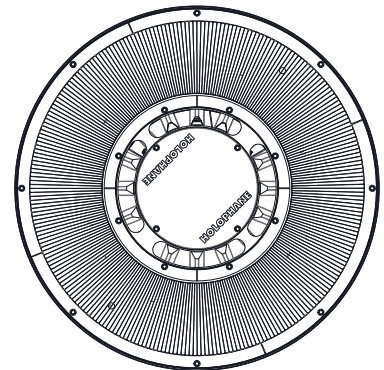
Top View



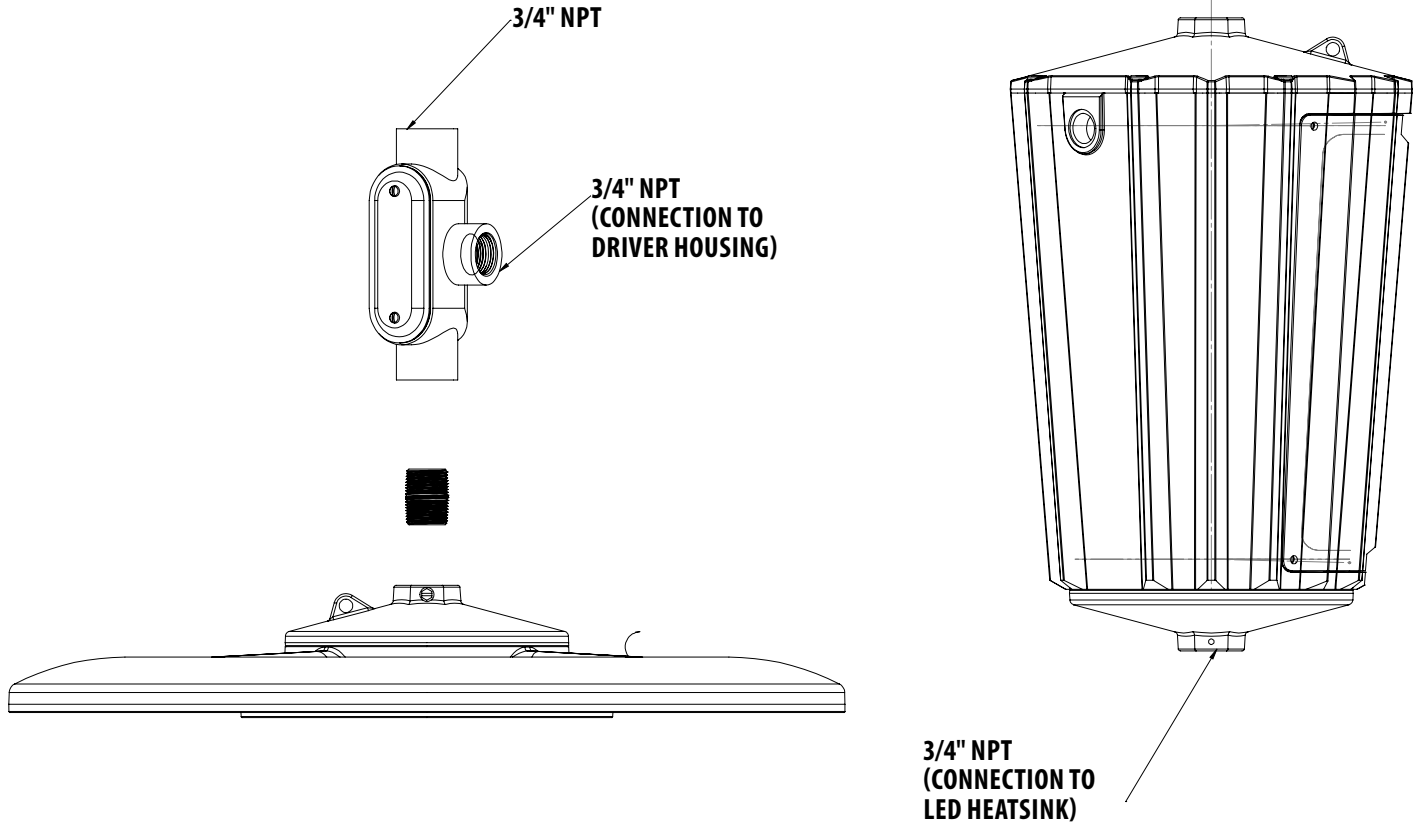
Bottom View



with Motion Sensor option



TR REMOTE HOUSING



Number of LED Boards and Drivers Used

Lumen Package	Voltage	Number of LED Boards	Number of Drivers
12000LM	MVOLT, 120, 208, 240, 277	4	1
	HVOLT, 347, 480	4	1
	XVOLT, 277X, 237X, 480X	4	1
15000LM	MVOLT, 120, 208, 240, 277	4	1
	HVOLT, 347, 480	4	1
	XVOLT, 277X, 237X, 480X	4	1
18000LM	MVOLT, 120, 208, 240, 277	4	1
	HVOLT, 347, 480	4	1
	XVOLT, 277X, 237X, 480X	4	1
24000LM	MVOLT, 120, 208, 240, 277	4	1
	HVOLT, 347, 480	4	1
	XVOLT, 277X, 237X, 480X	4	1
28000LM	MVOLT, 120, 208, 240, 277	4	2
	HVOLT, 347, 480	4	2
	XVOLT, 277X, 237X, 480X	4	1
32000LM	MVOLT, 120, 208, 240, 277	4	2
	HVOLT, 347, 480	4	2
	XVOLT, 277X, 237X, 480X	4	1

OPERATIONAL DATA

Operating Characteristics ‡

Lumen Package	Lens	Distribution	Input Watts ‡	Delivered Lumens @ 3000K			Delivered Lumens @ 4000K			Delivered Lumens @ 5000K			
				70CRI	80CRI	90CRI	70CRI	80CRI	90CRI	70CRI	80CRI	90CRI	
12000LM	ACL	MD	82	12029	11768	9763	12727	11942	10199	12814	12552	10722	Lumens
				147	144	119	155	146	124	156	153	131	LPW
		MDU	82	11731	11476	9521	12411	11646	9946	12496	12241	10456	Lumens
				143	140	116	151	142	121	152	149	128	LPW
		WD	82	12046	11784	9777	12745	11959	10213	12832	12570	10737	Lumens
				147	144	119	155	146	125	156	153	131	LPW
		WDU	82	11619	11366	9430	12292	11534	9851	12376	12124	10356	Lumens
				142	139	115	150	141	120	151	148	126	LPW
	PCL	MD	82	11071	10830	8985	11712	10990	9386	11793	11552	9867	Lumens
				135	132	110	143	134	114	144	141	120	LPW
		MDU	82	10214	9992	8290	10806	10140	8660	10880	10658	9104	Lumens
				125	122	101	132	124	106	133	130	111	LPW
		WD	82	10055	9836	8161	10638	9982	8525	10711	10492	8962	Lumens
				123	120	100	130	122	104	131	128	109	LPW
		WDU	82	9885	9670	8022	10458	9813	8380	10529	10314	8810	Lumens
				121	118	98	128	120	102	128	126	107	LPW

Lumen Package	Lens	Distribution	Input Watts ‡	Delivered Lumens @ 3000K			Delivered Lumens @ 4000K			Delivered Lumens @ 5000K			
				70CRI	80CRI	90CRI	70CRI	80CRI	90CRI	70CRI	80CRI	90CRI	
15000LM	ACL	MD	105	14594	14298	11862	15463	14488	12392	15545	15228	13007	Lumens
				139	136	113	147	138	118	148	145	124	LPW
		MDU	105	14253	13943	11568	15079	14150	12084	15183	14873	12704	Lumens
				136	133	110	144	135	115	145	142	121	LPW
		WD	105	14636	14318	11879	15485	14530	12410	15591	15273	13046	Lumens
				139	136	113	147	138	118	148	145	124	LPW
		WDU	105	14117	13810	11457	14935	14014	11969	15037	14730	12582	Lumens
				134	132	109	142	133	114	143	140	120	LPW
	PCL	MD	105	13451	13159	10917	13640	13354	11404	14328	14036	11989	Lumens
				128	125	104	130	127	109	136	134	114	LPW
		MDU	105	12410	12140	10072	13130	12320	10522	13219	12950	11061	Lumens
				118	116	96	125	117	100	126	123	105	LPW
		WD	105	12217	11951	9915	12925	12128	10358	13014	12748	10889	Lumens
				116	114	94	123	116	99	124	121	104	LPW
		WDU	105	12010	11749	9747	12706	11923	10182	12793	12532	10704	Lumens
				114	112	93	121	114	97	122	119	102	LPW

Lumen Package	Lens	Distribution	Input Watts ‡	Delivered Lumens @ 3000K			Delivered Lumens @ 4000K			Delivered Lumens @ 5000K			
				70CRI	80CRI	90CRI	70CRI	80CRI	90CRI	70CRI	80CRI	90CRI	
18000LM	ACL	MD	128	18054	17662	14653	19101	17924	15307	19232	18839	16092	Lumens
				141	138	114	149	140	120	150	147	126	LPW
		MDU	128	17607	17224	14289	18627	17479	14927	18755	18372	15693	Lumens
				138	135	112	146	137	117	147	144	123	LPW
		WD	128	18080	17687	14674	19128	17949	15329	19259	18866	16115	Lumens
				141	138	115	149	140	120	150	147	126	LPW
		WDU	128	17438	17059	14153	18449	17312	14784	18575	18196	15543	Lumens
				136	133	111	144	135	116	145	142	121	LPW
	PCL	MD	128	16616	16254	13485	17579	16495	14087	17699	17338	14810	Lumens
				130	127	105	137	129	110	138	135	116	LPW
		MDU	128	15330	14997	12442	16219	15219	12997	16330	15996	13664	Lumens
				120	117	97	127	119	102	128	125	107	LPW
		WD	128	15091	14763	12248	15966	14982	12795	16076	15747	13451	Lumens
				118	115	96	125	117	100	126	123	105	LPW
		WDU	128	14836	14382	11932	15554	14595	12465	15803	15481	13223	Lumens
				116	112	93	122	114	97	123	121	103	LPW

‡ Notes	
Input Watts	@ 120 volts.
Operating Characteristics	Absolute photometry calculated in accordance with IESNA LM-79-08 @ 25°C

OPERATIONAL DATA

Operating Characteristics ‡

Lumen Package	Lens	Distribution	Input Watts ‡	Delivered Lumens @ 3000K			Delivered Lumens @ 4000K			Delivered Lumens @ 5000K				
				70CRI	80CRI	90CRI	70CRI	80CRI	90CRI	70CRI	80CRI	90CRI		
24000LM	ACL	MD	180	23012	22511	18676	24345	22845	19510	24512	24012	20510	Lumens	
				128	125	104	135	127	108	136	133	114	114	LPW
		MDU	180	22441	21953	18213	23741	22278	19026	23904	23416	20001	20001	Lumens
				125	122	101	132	124	106	133	130	111	111	LPW
		WD	180	23044	22543	18702	24380	22877	19537	24547	24046	20539	20539	Lumens
				128	125	104	135	127	109	136	134	114	114	LPW
		WDU	180	22226	21743	18038	23514	22065	18844	23675	23192	19810	19810	Lumens
				123	121	100	131	123	105	132	129	110	110	LPW
	PCL	MD	180	21178	20717	17188	22405	21024	17955	22559	22098	18876	18876	Lumens
				118	115	95	124	117	100	125	123	105	105	LPW
		MDU	180	19539	19114	15858	20672	19397	16566	20813	20388	17415	17415	Lumens
				109	106	88	115	108	92	116	113	97	97	LPW
		WD	180	19235	18817	15611	20350	19095	16308	20489	20071	17144	17144	Lumens
				107	105	87	113	106	91	114	112	95	95	LPW
		WDU	180	18909	18498	15346	20005	18772	16031	20142	19731	16853	16853	Lumens
				105	103	85	111	104	89	112	110	94	94	LPW

Lumen Package	Lens	Distribution	Input Watts ‡	Delivered Lumens @ 3000K			Delivered Lumens @ 4000K			Delivered Lumens @ 5000K				
				70CRI	80CRI	90CRI	70CRI	80CRI	90CRI	70CRI	80CRI	90CRI		
28000LM	ACL	MD	221	28437	26578	21002	31039	28251	23790	31968	28622	26020	Lumens	
				129	120	95	140	128	108	145	130	118	118	LPW
		MDU	221	27731	25919	20481	30269	27550	23200	31175	27913	25375	25375	Lumens
				125	117	93	137	125	105	141	126	115	115	LPW
		WD	221	28477	26616	21032	31083	28291	23824	32013	28663	26057	26057	Lumens
				129	120	95	141	128	108	145	130	118	118	LPW
		WDU	221	27466	25671	20285	29979	27286	22978	30877	27645	25132	25132	Lumens
				124	116	92	136	123	104	140	125	114	114	LPW
	PCL	MD	221	26171	24460	19329	28565	26000	21894	29421	26342	23947	23947	Lumens
				118	111	87	129	118	99	133	119	108	108	LPW
		MDU	221	24146	22567	17833	26355	23988	20200	27144	24303	22094	22094	Lumens
				109	102	81	119	109	91	123	110	100	100	LPW
		WD	221	23770	22216	17555	25945	23614	19886	26721	23925	21750	21750	Lumens
				108	101	79	117	107	90	121	108	98	98	LPW
		WDU	221	23367	21840	17258	25275	23005	19373	26032	23308	21189	21189	Lumens
				106	99	78	114	104	88	118	105	96	96	LPW

Lumen Package	Lens	Distribution	Input Watts ‡	Delivered Lumens @ 3000K			Delivered Lumens @ 4000K			Delivered Lumens @ 5000K				
				70CRI	80CRI	90CRI	70CRI	80CRI	90CRI	70CRI	80CRI	90CRI		
32000LM	ACL	MD	260	33559	31365	24785	36629	33339	28075	37726	33778	30707	Lumens	
				129	121	95	141	128	108	145	130	118	118	LPW
		MDU	260	32726	30587	24170	35721	32512	27379	36790	32940	29946	29946	Lumens
				126	118	93	137	125	105	142	127	115	115	LPW
		WD	260	33606	31410	24820	36681	33387	28115	37780	33826	30751	30751	Lumens
				129	121	95	141	128	108	145	130	118	118	LPW
		WDU	260	32413	30295	23939	35379	32201	27117	36438	32625	29659	29659	Lumens
				125	117	92	136	124	104	140	125	114	114	LPW
	PCL	MD	260	30885	28866	22810	33711	30683	25838	34720	31086	28260	28260	Lumens
				119	111	88	130	118	99	134	120	109	109	LPW
		MDU	260	28495	26632	21045	31102	28308	23839	32033	28681	26073	26073	Lumens
				110	102	81	120	109	92	123	110	100	100	LPW
		WD	260	28051	26218	20717	30618	27868	23468	31535	28234	25668	25668	Lumens
				108	101	80	118	107	90	121	109	99	99	LPW
		WDU	260	27327	25541	20183	30099	27395	23070	31000	27756	25233	25233	Lumens
				105	98	78	116	105	89	119	107	97	97	LPW

‡ Notes	
Input Watts	@ 120 volts.
Operating Characteristics	Absolute photometry calculated in accordance with IESNA LM-79-08 @ 25°C

OPERATIONAL DATA

Projected Lumen Maintenance ‡

Package	Max and Min Temperature	0 Hours	15,000 Hours	30,000 Hours	45,000 Hours	60,000 Hours	100,000 Hours
12000LM	25C 55C	1.0 1.0	0.97 0.96	0.95 0.93	0.93 0.91	0.91 0.88	0.86 0.82
15000LM	25C 55C	1.0 1.0	0.97 0.96	0.95 0.93	0.93 0.91	0.91 0.88	0.86 0.82
18000LM	25C 55C	1.0 1.0	0.97 0.95	0.95 0.92	0.93 0.89	0.91 0.86	0.86 0.79
24000LM	25C 55C	1.0 1.0	0.97 0.95	0.95 0.92	0.93 0.89	0.91 0.86	0.86 0.79
28000LM	25C 45C	1.0 1.0	0.97 0.95	0.96 0.95	0.95 0.94	0.94 0.93	0.92 0.91
32000LM	25C 45C	1.0 1.0	0.97 0.96	0.96 0.95	0.95 0.94	0.94 0.93	0.92 0.90

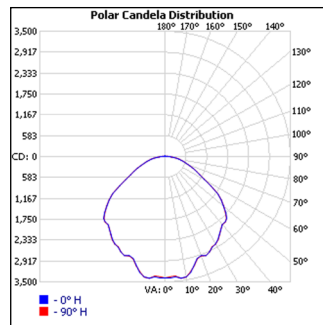
‡ Notes

Projected Lumen Maintenance Calculated using data collected according to LM-80 and represents lumen maintenance of the LED package. Consult factory for actual TM-21 reports for your specific configuration.

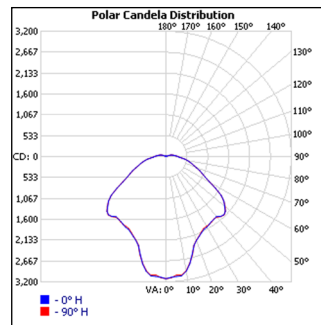
Ambient Temperature Ratings

Voltage	FE10WCP Battery	ETS Load Control Relay	SBGR Sensor	SBG BTP Sensor	NLTAIR2 RSBG, RSBG ER Sensor and NLTAIR2 RIO, RIO ER	Max Ambient					
						12000LM	15000LM	18000LM	24000LM	28000LM	32000LM
120-277	N	N	N	N	N	-40°C to 55°C	-40°C to 55°C	-40°C to 55°C	-40°C to 55°C	-40°C to 45°C	-40°C to 45°C
120-277	Y	N	N	N	N	10°C to 35°C	10°C to 35°C	10°C to 35°C	10°C to 35°C	10°C to 35°C	10°C to 35°C
120-277	N	Y	N	N	N	-40°C to 55°C	-40°C to 55°C	-40°C to 55°C	-40°C to 55°C	-40°C to 45°C	-40°C to 45°C
120-277	N	N	Y	N	N	-40°C to 55°C	-40°C to 55°C	-40°C to 55°C	-40°C to 55°C	-40°C to 45°C	-40°C to 45°C
120-277	N	N	N	Y	N	-40°C to 55°C	-40°C to 55°C	-40°C to 55°C	-40°C to 55°C	-40°C to 45°C	-40°C to 45°C
120-277	N	N	N	N	Y	-40°C to 55°C	-40°C to 55°C	-40°C to 55°C	-40°C to 55°C	-40°C to 45°C	-40°C to 45°C
120-277	Y	N	Y	N	N	10°C to 35°C	10°C to 35°C	10°C to 35°C	10°C to 35°C	10°C to 35°C	10°C to 35°C
120-277	Y	N	N	N	Y	10°C to 35°C	10°C to 35°C	10°C to 35°C	10°C to 35°C	10°C to 35°C	10°C to 35°C
347-480	N	N	N	N	N	-40°C to 55°C	-40°C to 55°C	-40°C to 55°C	-40°C to 55°C	-40°C to 45°C	-40°C to 45°C
347-480	N	N	Y	N	N	-40°C to 30°C	-40°C to 30°C	-40°C to 30°C	-40°C to 30°C	-40°C to 30°C	-40°C to 30°C
347-480	N	N	N	Y	N	-40°C to 30°C	-40°C to 30°C	-40°C to 30°C	-40°C to 30°C	-40°C to 30°C	-40°C to 30°C
347-480	N	N	N	N	Y	-40°C to 30°C	-40°C to 30°C	-40°C to 30°C	-40°C to 30°C	-40°C to 30°C	-40°C to 30°C

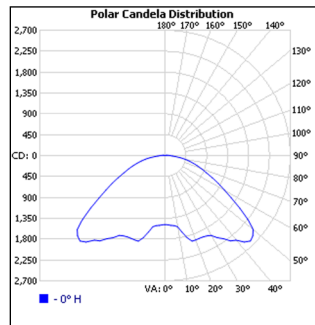
DISTRIBUTION DATA



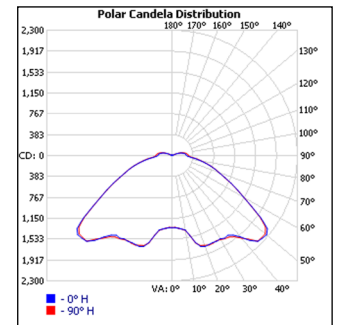
Medium



Medium with Uplight Reflector



Wide



Wide with Uplight Reflector

Operating Temperature Code for Hazardous Locations (HAZ option required)

Luminaire Lumen Rating	Rated Maximum Ambient Temperature	Supply Wire Temperature	Temperature Code, (Operating Temperature °C)
12000	35°C	90°C	T6 (85°C)
15000	45°C	90°C	T6 (85°C)
18000			
24000	55°C	90°C	T6 (85°C)
28000	45°C	90°C	T6 (85°C)
32000			

Impact Resistance (IK Ratings)

Lens Material	Rating
Acrylic	IK08
Polycarbonate	IK10

BTP default settings

Model	Default Operation	Occupancy Time Delay	Photocell Mode	Photocell Set-point	Low Trim	High Trim	Dim to Off Time Delay
SBG6 OCC BTP LT	On/Off Occupancy Only	10 minutes	Disabled	Disabled	Disabled	Disabled	Disabled
SBG10 OCC BTP LT	On/Off Occupancy Only	10 minutes	Disabled	Disabled	Disabled	Disabled	Disabled
SBG6 HL BTP LT	High/Low/(Off) Occupancy, 0-10V Dimming	10 minutes	Disabled	Disabled	10%	100%	2.5 minutes
SBG10 HL BTP LT	High/Low/(Off) Occupancy, 0-10V Dimming	10 minutes	Disabled	Disabled	10%	100%	2.5 minutes
SBG6 ADC BTP LT	On/Off Occupancy with Auto Dimming Photocell	10 minutes	On/Off & Auto Dim	50 fc	10%	100%	0 seconds
SBG10 ADC BTP LT	On/Off Occupancy with Auto Dimming Photocell	10 minutes	On/Off & Auto Dim	50 fc	10%	100%	0 seconds
SBG6 ANL BTP LT	High/Low/(Off) Occupancy Dimming with Auto Dimming Photocell	10 minutes	On/Off & Auto Dim	50 fc	10%	100%	Stay Dim/ Never Off
SBG10 ANL BTP LT	High/Low/(Off) Occupancy Dimming with Auto Dimming Photocell	10 minutes	On/Off & Auto Dim	50 fc	10%	100%	Stay Dim/ Never Off

Emergency Lumen Output

How to Estimate Delivered Lumens in Emergency Mode
 Use the formula below to estimate the delivered lumens in emergency mode
Delivered Lumens = P x LPW
 P = Output power of emergency driver.
 LPW = Lumen per watt rating of the luminaire. (See charts on Page 6)
 The LPW rating is also available at [Designlight Consortium](#).

P = 10W for FE10WCP

Emergency Lumen Output Example - 10 Watt Battery

Approximate Luminaire Efficacy	Approximate Lumens at 1 Minute	Approximate Lumens at 45 Minutes	Approximate Lumens at 90 Minutes
100 LPW	1000	1000	1000
110 LPW	1100	1100	1100
120 LPW	1200	1200	1200
130 LPW	1300	1300	1300
140 LPW	1400	1400	1400
150 LPW	1500	1500	1500

Zone Equivalency Markings

NEC Protections			
Area	Protection Techniques	Zone Equivalency Markings	
Class II			
Division 2	Dusttight	CLASS II, DIV. 2, GROUP F OR G	CLASS II, Z ONE 22
	Hermetically-sealed		
	Nonincendive		
	Pressurized		
Any Class II, Division 1 technique			

Mounting, Options and Accessories



SBGR Sensor



SBG BTP Sensor and Smarthub Control Module



nLight Air RSBG Sensor



nLight Air RIO Control Module



**Side Cord with Solid PF-646
Hook Mount**



Pendant Mount