

Catalog Number	
Notes	Type

Petrolux® LED Low Bay

Wet Location for Demanding Environments

PXLW



Description

- For demanding environments with lower mounting heights where dust, dirt and moisture are a concern.
- Certain airborne contaminants may adversely affect the functioning of LEDs and other electronic components, depending on various factors such as concentrations of the contaminants, ventilation, and temperature at the end-user location. [Click here for a list of substances that may not be suitable for interaction with LEDs and other electronic components.](#)

Optics

- Prismatic borosilicate glass directs light where needed and reduces harsh glare.
- Silicone rubber lens available that will not brown, chip, shatter or break.
- Four distributions (Type 5 low angle, Type 5 high angle, type 4 forward throw and Type 1 long and narrow) available to maximize versatility.
- Highly engineered LED system ensures superior uniformity and maximizes spacing.
- Lens assembly secured by stainless steel tamper-resistant Torx® T-20 screws.

Electrical

- Luminaire Surge Protection Level: Designed to withstand up to 10kV/5kA per ANSI C82.77-5-2015.
- 0-10V dimming driver is standard. Dims to 10%.
- XVOLT is an optional robust driver solution designed to assist with power quality issues and a dropped neutral in 277V input as derived from 480V Wye. Supports 277-480V; 6kV surge rated.
- 3000K, 4000K or 5000K CCT available.
- Fault-tolerant LED light engine continues to provide light even in the failure of one LED.
- Field Adjustable Output (AO) module - Onboard device that adjusts the light output and input wattage to meet site specific requirements. The AO module is preset at the factory to position number 8 (see chart on page 6).
- Integrated Bluetooth occupancy sensor: The SBG BTP is bluetooth enabled with dimming photocells. Allows you to change settings in the field using the VLP app.

Mechanical

- Super durable TGIC thermoset powder coat finish provides 1500 hours salt fog rating. CR (corrosion resistant) optional finish is a five-stage pre-treating and painting process that yields over 5,000 hours salt rating per ASTM B117.
- Robust cast aluminum housing with low copper content (0.6% CU content) withstands harsh or hostile environments.
- Universal mount high profile top cover (ceiling/pendant). Optional universal arm available for wall/stanchion. Other mountings include, low profile hook/pendant mount and high profile yoke mount.
- Precise number of fins dissipate maximum amount of heat.
- Universal mount can be wall, stanchion, and angle mounted to accommodate a variety of arms.

Listings

- UL listed to meet US and Canadian standards.
- Suitable for use in wet locations.
- -40°F (-40°C) to 149°F (65°C) ambient temperature rating. (see chart on page 8)
- IP65, IP66 and IP67 rated. (see Option Value Ordering Restrictions & Notes on page 3)
- 1G vibration rated.
- Marine rated (see chart on page 8)
- NEMA 4X rated (see chart on page 8)
- NSF Splash Zone 2 and Non-Food Zone rated with FPA option.
- IK rated (see chart on page 6)
- DesignLights Consortium® (DLC) Premium qualified product. Not all versions of this product may be DLC Premium qualified. Please check the DLC Qualified Products List at www.designlights.org/QPL to confirm which versions are qualified.

Warranty

5-year limited warranty. This is the only warranty provided and no other statements in this specification sheet create any warranty of any kind. All other express and implied warranties are disclaimed. Complete warranty terms located at: www.acuitybrands.com/support/warranty/terms-and-conditions

Note: Actual performance may differ as a result of end-user environment and application. All values are design or typical values, measured under laboratory conditions at 25 °C.



Typical Applications

- Petroleum refineries
- Water and wastewater treatment facilities
- Ethanol facilities
- Parking Garages
- Chemical plants
- Power plants
- Textile mills

Dimensions: Inches (millimeters) unless otherwise noted.

Universal Mount
 Diameter: 13.11 (332.99)
 Height: 11.43 (290.32)
 Weight: Approx. 19 lbs (8.62 kg)
 Pallet quantity: 12 fixtures
 EPA: 0.787 sq. ft. wind loading

A+ Capable Luminaire

This item is an A+ capable luminaire, which has been designed and tested to provide consistent color appearance and out-of-the-box control compatibility with simple commissioning.

- All configurations of this luminaire meet the Acuity Brands' specification for chromatic consistency
- This luminaire is part of an A+ Certified solution for nLight® control networks marked by a **shaded background***

To learn more about A+, visit www.acuitybrands.com/aplus.

*See ordering tree for details

A+ Capable options indicated by this color background.

ORDERING INFORMATION

Example: PXLW 3000LM MDU5 MVOLT 30K 80CRI UNM MISC DNxD

Series	Lumens	Distribution	Voltage	Color Temperature	Color Rendering Index	Mounting Options			
PXLW	3000LM	3,000 lumens ‡	FWD	Forward throw, glass lens	MVOLT Auto Sensing (120-277V, 50/60Hz)	30K 3000K CCT	70CRI 70CRI	UNM	Universal Mount, high profile top cap ‡
	5000LM	5,000 lumens ‡	LND	Long and narrow, glass lens	120 120V, 50/60Hz	40K 4000K CCT	80CRI 80CRI		
	8000LM	8,000 lumens	MD0	Medium glass lens with minimal uplight	208 208V, 50/60Hz	50K 5000K CCT	90CRI 90CRI	PM	Pendant Mount, low profile top cap ‡
			MDU5	Medium glass lens with uplight	240 240V, 50/60Hz				
	10000LM	10,000 lumens	MDU5FR	Medium frosted glass lens with uplight	277 277V, 50/60Hz	HVOLT Auto Sensing (347-480V, 50/60Hz)		YK90	Yoke Mount 0-90 Degree, high profile top cap
			SO	Medium, silicone optic with minimal uplight	347 347V, 50/60Hz	347 347V, 50/60Hz	XVOLT Enhanced Power Protection (277-480V, 50/60Hz) ‡		
			SOLND	Long and narrow, silicone optic	480 480V, 50/60Hz	277X 277V XVOLT Driver, 50/60Hz ‡			
			WD	Wide, glass lens	347X 347V XVOLT Driver, 50/60Hz ‡				
					480X 480V XVOLT Driver, 50/60Hz ‡				

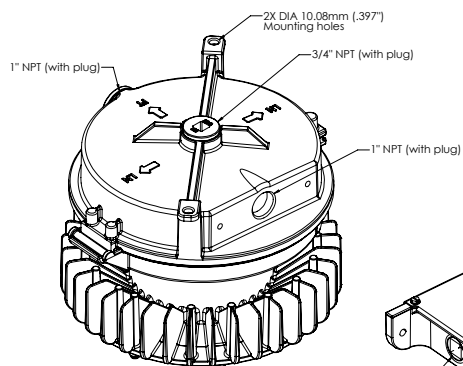
Options	Finish
<p>Damp Location Cord Sets: ‡</p> <p>CPSB16W Cord with 15-amp straight blade plug, 16-gauge, 3 conductors, white, 6ft (120V only)</p> <p>CPTL16W Cord with 15-amp twist lock plug, 16-gauge, 3 conductors, white, 6ft (120, 208, 240, 277, 277X only)</p> <p>CPTL20A16W Cord with 20-amp twist lock plug, 16-gauge, 3 conductors, white, 6ft (347, 347X, 480 or 480X only)</p> <p>Wet Location Cord Sets: ‡</p> <p>CPTL16WWL Cord with 15-amp twist lock plug, 16-gauge, 3 conductors, white, 6ft (120, 208, 240, 277 or 277X only)</p> <p>CPTL20AWWL Cord with 20-amp twist lock plug, 16-gauge, 3 conductors, white, 6ft (347 or 347X only)</p> <p>Wet Location Cords (no plug): ‡</p> <p>CNP16WWL Cord only, 16-gauge, 3 conductors, white, 6ft</p> <p>CNP164CWL Cord only, 16-gauge, 4 conductors, black, 6ft ‡</p> <p>CNP165CDWWL Cord only, 16-gauge, 5 conductors, includes 0-10V dimming leads, white, 6ft ‡</p> <p>CNP165CDWL Cord only, 16-gauge, 5 conductors, includes 0-10V dimming leads, black, 6ft ‡</p> <p>Hook: ‡</p> <p>HKMW 3/4" wet listed hook male, PF-291</p> <p>Emergency:</p> <p>E10WMCP Power Sentry® PS1055MCP, 10 watt internal constant power emergency driver, 5°C min, UL924 Compliant, Certified in CA Title 20 MAEDBS (120-277) (LINK) ‡</p> <p>Other Options:</p> <p>AO Field Adjustable Output, Standard setting is 8 ‡</p> <p>CR Corrosion resistant paint</p> <p>DL Damp location ‡</p> <p>EMD Ingress/Egress Marker Decal</p> <p>FPA Food processing area ‡</p> <p>NSG Non silicone gasket (complete fixture) ‡</p> <p>PC Pendant cone ‡</p> <p>UPS Uplight Shield ‡</p> <p>WGX Zinc coated wire guard, factory installed</p> <p>MISC Mex</p>	<p>Individual Non-Dimming Sensors: ‡</p> <p>SBGR10 360° Low Mount Sensor, (8-15' mounting heights), on/off occupancy (LINK)</p> <p>SBGR10 P 360° Low Mount Sensor, (8-15' mounting heights), on/off photocell (LINK)</p> <p>Individual Dimming Sensor: ‡</p> <p>SBGR10 D 3V 360° Low Mount sensor, (8-15' mounting heights), high/low occupancy dimming (LINK)</p> <p>Photocontrols:</p> <p>BP Button style photo control, 120V-277V/347V ‡</p> <p>PER NEMA twist lock receptacle ‡</p> <p>PCS DTS, solid state photo control, 120V-277V ‡</p> <p>P34 DTL, solid state photo control, 347V ‡</p> <p>P48 DTL, solid state photo control, 480V ‡</p> <p>PSC Shorting cap ‡</p> <p>nLight® AIR Wireless: ‡</p> <p>NLTAIR2 RSBG10 nLight® Air Generation 2 enabled, 360° low mount sensor, (8-15' mounting heights) (LINK)</p> <p>*For 360° integral high mount sensors (15-30' mounting heights), replace "10" in nomenclature with "6". For 360° high bay sensors (40' mounting heights), replace "6" in nomenclature with "40". Ex: NLTAIR2 RSBG6</p> <p>NLTAIR2 RIO nLight® air Generation 2 enabled, fixture embedded, 0-10V dimming output (LINK)</p> <p>Bluetooth® Sensors: ‡</p> <p>SBG10 OCC BTP 360° Low Mount Sensor, (7-15' mounting heights), on/off occupancy, utilizes smart hub for Bluetooth® programmability (LINK)</p> <p>SBG10 HL BTP 360° Low Mount Sensor, (7-15' mounting heights), high/low/(off) occupancy dimming, utilizes smart hub for Bluetooth® programmability (LINK)</p> <p>SBG10 ADC BTP 360° Low Mount Sensor, (7-15' mounting heights), on/off occupancy with auto dimming photocell, utilizes smart hub for Bluetooth® programmability (LINK)</p> <p>SBG10 ANL BTP 360° Low Mount Sensor, (7-15' mounting heights), high/low/(off) occupancy dimming with auto dimming photocell, utilizes smart hub for Bluetooth® programmability (LINK)</p> <p>Mounting Accessories:</p> <p>072331 Substation arm for a single luminaire, up or down orientation. ‡</p> <p>072331CTL Substation arm for a single luminaire with integral sensor, up or down orientation. ‡</p> <p>072332 Substation arm for two luminaires, up and down orientation. ‡</p> <p>072332CTL Substation arm for two luminaires (one with a sensor and one without), up and down orientation. ‡</p> <p>P3US Universal arm for wall or stanchion mount ‡</p> <p>P3US35 35° Universal arm for wall or stanchion mount ‡</p>
<p>DBXD Black super durable</p> <p>DGXD Gray super durable</p> <p>DNXD Satin Nickle super durable</p> <p>DWHXD White super durable</p>	

For Accessories and Footnotes, see next page.

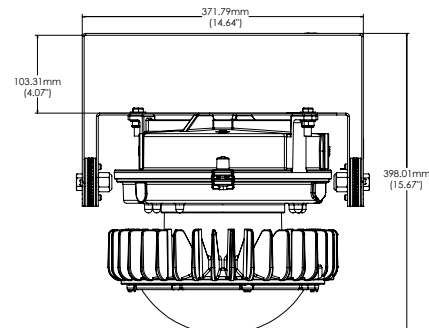
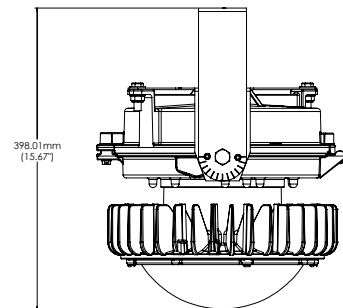
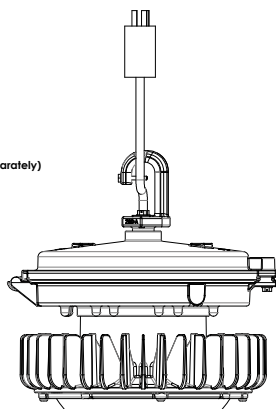
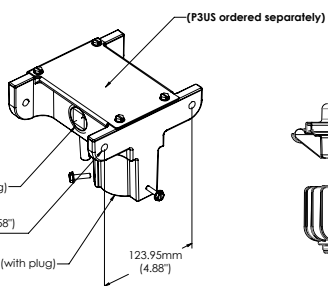
Accessories: Order as separate catalog number.		
072331 XX	Substation arm for a single luminaire, up or down orientation. XX denotes color ‡	P3US XX Universal arm for wall or stanchion mount, XX denotes color ‡
072331 CTL XX	Substation arm for a single luminaire with sensor, up or down orientation. XX denotes color ‡	P3US35 XX 35° Universal arm for wall or stanchion mount, XX denotes color ‡
072332 XX	Substation arm for two luminaires, up and down orientation. XX denotes color ‡	PCPXLW XX Pendant Cone, XX denotes color ‡
072332 CTL XX	Substation arm for two luminaires (one with a sensor and one without), up and down orientation. XX denotes color ‡	PTASTA Stanchion Mount Bracket, White ‡
HSCXX	X inch safety chain kit ‡	UPSPXLW XX Uplight shield, XX denotes color ‡
MI3502 THREAD SEAL	Thread Sealant ‡	WGPXLW Wire guard, zinc coated

‡ Option Value Ordering Restrictions & Notes	
Option value	Restriction
072331, 072331 XX	Not available with YK90, cord or cordset. Requires PM or UNM mounting. Includes one 5 conductor input feed cable with 0-10V dimming. Not IP rated , suitable for use in wet locations.
072331CTL, 072331 CTL XX	Not available with YK90, cord or cordset. Requires PM or UNM mounting. Includes one 3 conductor input feed cable. Not IP rated , suitable for use in wet locations.
072332, 072332 XX	Not available with YK90, cord or cordset. Requires PM or UNM mounting. Includes two 5 conductor cables for independent fixture control with 0-10V dimming. Not IP rated , suitable for use in wet locations.
072332CTL, 072332 CTL XX	Not available with YK90, cord or cordset. Requires PM or UNM mounting. Includes one 3 conductor cable for the sensor to control both luminaires. Not IP rated , suitable for use in wet locations.
277X, 347X, 480X	Not available with 3000LM or 5000LM.
3000LM, 5000LM	Not available with XVOLT, 277X, 347X or 480X.
AO	Not available with individual dimming SBGR sensors, bluetooth SBG BTP sensors, nLight air RSBG sensor, nLight air RIO module, CNP165CDWL, CNP165CDWWL cordsets or E10WMCP battery.
Bluetooth Sensors	Not available with HVOLT in the 3000LM or 5000LM lumen packages. BTP sensor options with 3000LM or 5000LM lumen packages cannot dim to OFF. These lumen packages will dim to 10% minimum and cannot be turned OFF with controls. Not available with XVOLT, 277X, 347X, 480X, AO adjustable output module, E10WMCP, CNP165CDWL, CNP165CDWWL cordsets or any other controls. IP66 rated .
BP	Must specify voltage. Not available with MVOLT, HVOLT, 480V, XVOLT, 480X, or YK90.
CNP164CDWWL	Requires E10WMCP battery option.
CNP165CDWL, CNP165CDWWL	Not available with AO adjustable output module, individual dimming SBGR sensors, bluetooth SBG BTP sensors, nLight air RSBG sensor, nLight air RIO module, E10WMCP battery or HKMW hook.
Damp Location Cord Sets	Voltage must be specified. Requires DL and HKMW options. 6' is standard, but other lengths are available. Must specify length in the nomenclature. Example: CPTL16W3FT. NEMA plug configurations: (CPSB) 120 = 5-15P. (CPTL16W) 120 = L5-15P, 208 or 240 = L6-15P, 277 = L7-15P. (CPTL20A16W) 347 = L24-20P, 480 = L8-20P.
DL	Required when damp location options are chosen. Luminaire is wet location listed only when ordered with wet location options. If luminaire is ordered with wet and damp location options, luminaire is damp location listed only and will include a damp label.
E10WMCP	Available with UNM or YK90 only. Not available with AO adjustable output, PM pendant mount, HVOLT, 347, 480, XVOLT, 347X, 480X, bluetooth SBG BTP sensors, nLight air RSBG sensors, nLight air RIO, nLight air RPP20 ER or nLight wired NPP16 ER versions of the power packs. Available with individual dimming and non-dimming SBGR sensors. Only available cord option is the CNP164CDWWL cord option, but not required.
FPA	SO or SOLND distribution and DWHXD finish required. Not available with YK90 mounting, E10WMCP battery or any external sensor or control. Not available with FWD, MD0, MDU5, MDU5FR, LND, WD distributions, DBXD, DGXD, DNXD finishes, SBGR individual dimming and non-dimming sensors, SBG BTP bluetooth sensors, RSBG nLight air sensors or nLight air RIO.
Hook	Requires Cord or Cordset. Not available with CNP165DCWL, CNP165CDWWL cords. Not IP rated , suitable for use in wet locations.
HSCXX	X denotes length. Available in multiple sizes. Replace X with size in inches. Example: HSC120 = 120 inches or 10 feet.
Individual Dimming Sensor	Not available with XVOLT, AO adjustable output module or CNP165CDWL, CNP165CDWWL cordsets. When ordered with YK90 and mounted between 35-90 degrees DL option is required. IP66 rated .
Individual Non-Dimming Sensors	Not available with XVOLT. When ordered with YK90 and mounted between 35-90 degrees DL option is required. IP66 rated .
MI3502 THREAD SEAL	Order one per luminaire, 6ml tube.
nLight Air Wireless	Not available with HVOLT in the 3000LM or 5000LM lumen packages. nLight Air options with 3000LM or 5000LM lumen packages cannot dim to OFF. These lumen packages will dim to 10% minimum and the fixture cannot be turned OFF with controls. Not available with XVOLT, 277X, 347X, 480X, AO adjustable output, E10WMCP battery, CNP165CDWL, CNP165CDWWL cordsets, any other sensors or controls. IP66 rated .
NSG	Not available with SO, SOLND distribution, any external sensors or controls.
P34	Requires PER option. Available with 347, 347X options only.
P3US35, P3US	Not available with PM, YK90, cord or cordset. Requires UNM mounting. Not IP rated , suitable for use in wet locations.
P48	Requires PER option. Available with 480, 480X options only.
PC, PCPXLW	Not available with UNM or YK90. Requires PM mounting. Requires minimum 8" customer provided stem. Not available with FPA option.
PCS	Requires PER option. Available with MVOLT, 120, 208, 240, 277 or 277X options only.
PER	Not available with YK90.
PM	Not available with E10WMCP battery. Ships with 3/4" NPT pendant opening.
PSC	Requires PER option.
PTASTA	Available with UNM or PM only. Threaded for 1.50-11.5 NPT (DN40) or slipfit for 1.50-11.5 NPT (DN40) conduit. Not IP rated , suitable for use in wet locations.
UNM	Includes provisions for 3/4" NPT pendant mount and ceiling mount. When ordered with the optional P3US universal mounting arm, includes provisions for 1.5" NPT stanchion mount and wall mount.
UPS, UPSPXLW XX	Not available with FPA option. When paired with any sensor option, the viewing angle will be cutoff.
Wet Location Cords (no plug)	6' is standard, but other lengths are available. Must specify length in the nomenclature. Example: CNP16WWL3FT
Wet Location Cord Sets	Voltage must be specified. Requires HKMW option. 6' is standard, but other lengths are available. Must specify length in the nomenclature. Example: CPTL20A16WWL10FT. NEMA plug configurations: (CPTL16WWL) 120 = L5-15P, 208 or 240 = L6-15P, 277 = L7-15P. (CPTL20A16WWL) 347 = L24-20P.
XVOLT	Not Available with 3000LM or 5000LM.

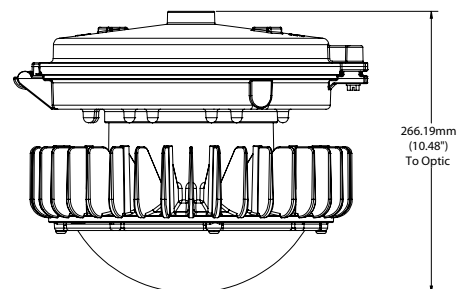
DIMENSIONAL DATA



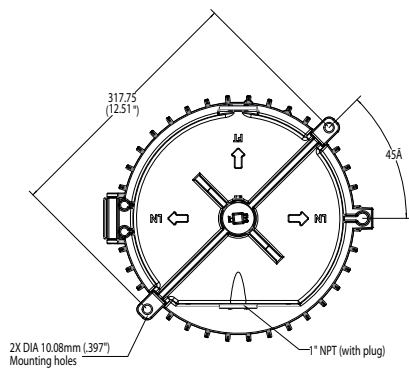
UNIVERSAL MOUNT (UNM and P3US)



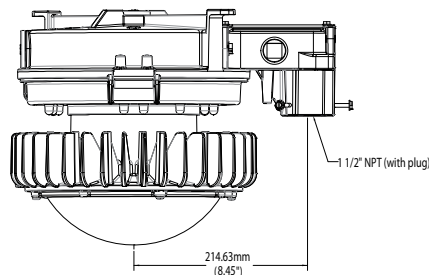
YOKE MOUNT 0-90° (YK90)



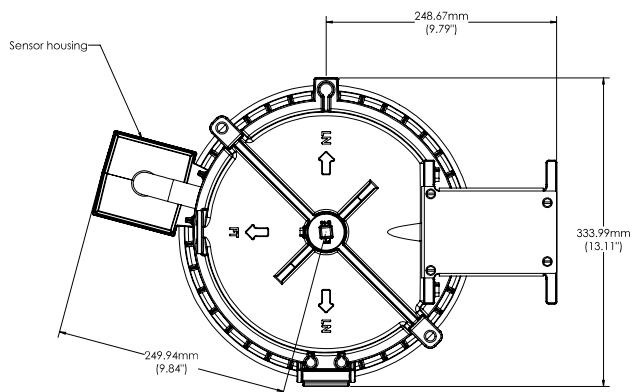
PENDANT MOUNT (PM)



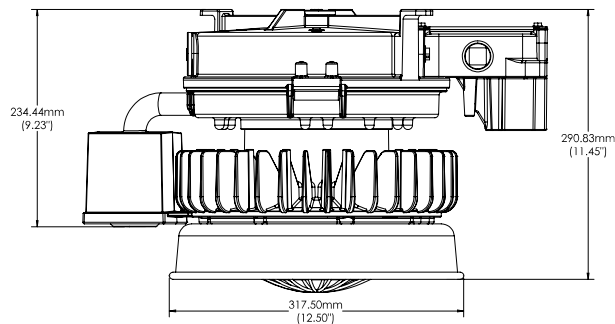
CEILING MOUNT (UNM)



**UNIVERSAL MOUNT (UNM and P3US)
 (P3US ordered separately)**

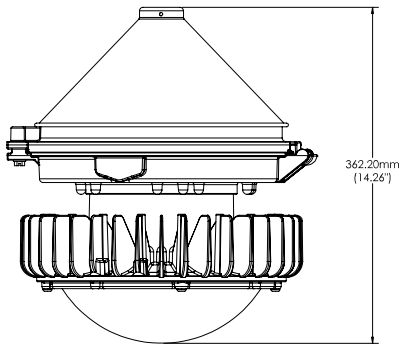


**SENSOR OPTION (UNM AND P3US)
 (P3US ORDERED SEPARATELY)**

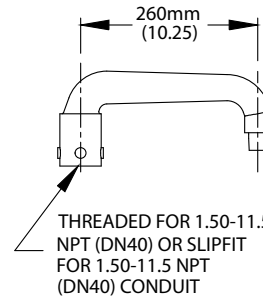


**UPLIGHT SHIELD OPTION
 (UNM AND P3US AND SENSOR AND UPS)
 (P3US ORDERED SEPARATELY)**

DIMENSIONAL DATA (continued)

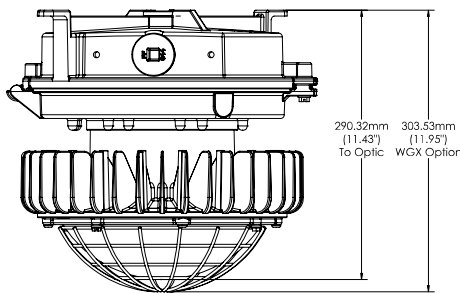


PENDANT CONE OPTION (PM and PC)

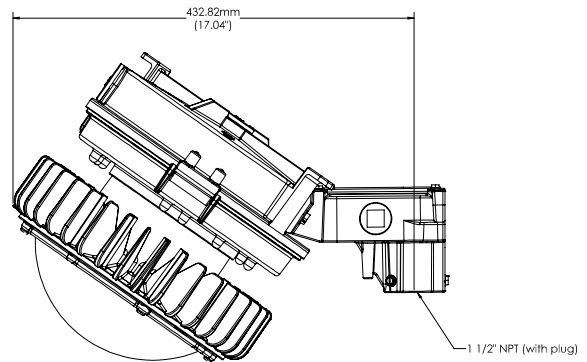


THREADED FOR 1.50-11.5 NPT (DN40) OR SLIPFIT FOR 1.50-11.5 NPT (DN40) CONDUIT

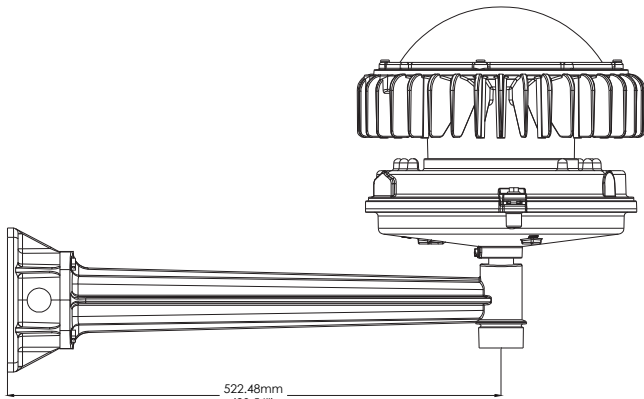
ALTERNATIVE PENDANT STANCHION ARM (PTASTA)



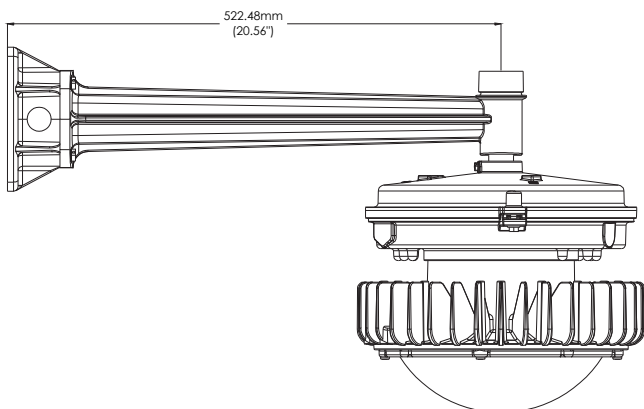
WIRE GUARD OPTION (UNM and WGX)



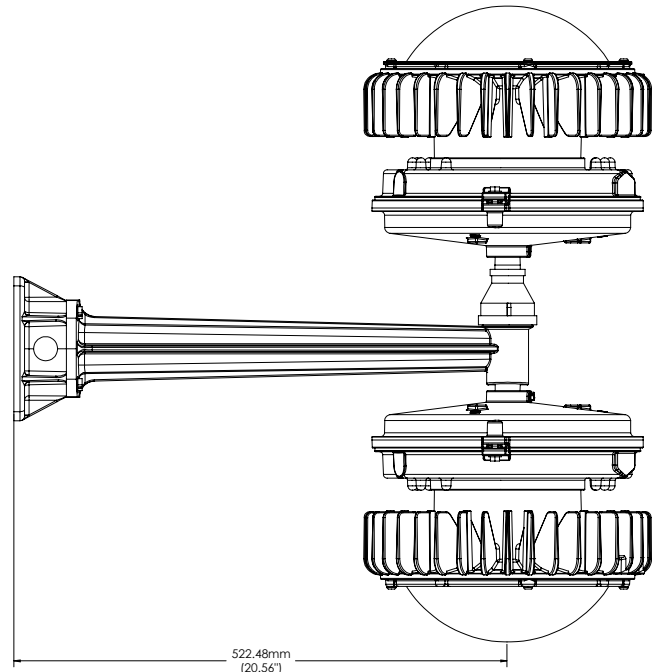
UNIVERSAL MOUNT (UNM and P3US35) (P3US35 ordered separately)



072331 SUBSTATION ARM (PM) - UP ORIENTATION



072331 SUBSTATION ARM (PM) - DOWN ORIENTATION



072332 TANDEM SUBSTATION ARM, (PM)

OPERATIONAL DATA

Performance with AO Field Adjustable Output

FAO Setting	Base Max Lumen Output %
1	35%
2	48%
3	61%
4	74%
5	87%
6	100%
7	100%
8	100%

Number of LED Boards and Drivers Used

Lumen Package	Number of LED boards per fixture	Number of drivers per fixture
3000LM	1	1
5000LM	1	1
8000LM	1	1
10000LM	1	1

Impact Resistance (IK Ratings)

Lens Material	Rating
Glass	IK07
Silicone	IK10

Projected Lumen Maintenance (TM-21)

25C ambient						
Lumen Package	0 Hours	15,000 Hours	30,000 Hours	45,000 Hours	60,000 Hours	100,000 Hours
3,000LM	1	0.97	0.95	0.92	0.9	0.84
5,000LM	1	0.97	0.95	0.92	0.9	0.84
8,000LM	1	0.97	0.94	0.92	0.89	0.83
10,000LM	1	0.97	0.95	0.92	0.9	0.84

55C ambient						
Lumen Package	0 Hours	15,000 Hours	30,000 Hours	45,000 Hours	60,000 Hours	100,000 Hours
3,000LM	1	0.97	0.94	0.91	0.88	0.81
5,000LM	1	0.97	0.94	0.91	0.89	0.82
8,000LM	1	0.96	0.93	0.89	0.86	0.78
10,000LM	1	0.96	0.93	0.9	0.87	0.79

Default Bluetooth Sensor Programming

Model	Default Operation	Occupancy Time Delay	Photocell Mode	Photocell Set-point	Low Trim	High Trim	Dim to Off Time Delay
SBG10 OCC BTP	On/Off Occupancy Only	10 minutes	Disabled	n/a	n/a	100%	Disabled
SBG10 HL BTP	Occupancy w/ 0-10V Dimming (High/Low/Off)	10 minutes	Disabled	n/a	10%	100%	2.5 minutes
SBG10 ADC BTP	On/Off Occupancy with Auto Dimming Photocell	10 minutes	On/Off & Auto Dim	50 fc	10%	100%	0 seconds
SBG10 ANL BTP	High/Low/(Off) Occupancy Dimming with Auto Dimming Photocell	10 minutes	On/Off & Auto Dim	50 fc	10%	100%	Stay Dim/Never Off

Operating Characteristics

Package	Distribution	Delivered lumens at 3000K CCT 70CRI @ 25C	Delivered lumens at 3000K CCT 80CRI @ 25C	Delivered lumens at 3000K CCT 90CRI @ 25C	Delivered lumens at 4000K CCT 70CRI @ 25C	Delivered lumens at 4000K CCT 80CRI @ 25C	Delivered lumens at 4000K CCT 90CRI @ 25C	Delivered lumens at 5000K CCT 70CRI @ 25C	Delivered lumens at 5000K CCT 80CRI @ 25C	Delivered lumens at 5000K CCT 90CRI @ 25C	Wattage	LPW @ 4000K 80CRI
3000LM	FWD	2848	2621	2167	2988	2712	2184	3110	2746	2202	21	127
	MDO	3035	2793	2308	3183	2785	2327	3314	2821	2346	21	130
	MDU5	2700	2485	2054	2833	2803	2071	2949	2839	2087	21	131
	MDU5FR	3021	2780	2298	3169	2883	2316	3299	2920	2335	21	135
	LND	2698	2483	2053	2831	2596	2069	2947	2630	2086	21	121
	SO	3182	2928	2421	3338	2934	2440	3475	2971	2460	21	137
	WD	3098	2851	2357	3250	2850	2376	3383	2887	2395	21	133
5000LM	FWD	4852	4465	3691	5090	4619	3721	5298	4679	3750	35	130
	MDO	5169	4757	3933	5423	4745	3964	5645	4805	3996	35	134
	MDU5	4600	4233	3499	4826	4776	3528	5023	4837	3556	35	135
	MDU5FR	5146	4735	3915	5398	4911	3946	5619	4974	3978	35	139
	LND	4597	4230	3497	4822	4423	3525	5020	4480	3553	35	125
	SO	5421	4989	4124	5687	4998	4157	5920	5062	4191	35	141
	WD	5278	4857	4015	5537	4856	4048	5764	4918	4080	35	137
8000LM	FWD	7751	7133	5896	8131	7380	5944	8464	7474	5991	58	128
	MDO	8258	7600	6282	8664	7580	6333	9018	7677	6384	58	132
	MDU5	7349	6763	5590	7709	7629	5636	8025	7727	5681	58	132
	MDU5FR	8221	7565	6254	8624	7846	6304	8977	7947	6355	58	136
	LND	7344	6758	5586	7704	7066	5632	8019	7156	5677	58	123
	SO	8660	7970	6588	9085	7984	6641	9457	8086	6694	58	139
	WD	8432	7759	6414	8846	7757	6466	9208	7857	6518	58	135
10000LM	FWD	9796	9015	7452	10277	9327	7512	10698	9447	7573	74	126
	MDO	10438	9605	7940	10950	9580	8004	11398	9703	8068	74	129
	MDU5	9288	8547	7066	9744	9643	7123	10143	9766	7180	74	130
	MDU5FR	10390	9561	7904	10900	9916	7968	11346	10044	8032	74	134
	LND	9281	8541	7061	9737	8930	7118	10136	9045	7175	74	121
	SO	10946	10073	8327	11483	10091	8394	11953	10220	8461	74	136
	WD	10657	9807	8107	11180	9804	8173	11638	9930	8238	74	132

Emergency Lumen Output

How to Estimate Delivered Lumens in Emergency Mode
 Use the formula below to estimate the delivered lumens in emergency mode
Delivered Lumens = P x LPW
 P = Output power of emergency driver
 LPW = Lumen per watt rating of the luminaire. (See charts on page 7)
 The LPW rating is also available at [Designlight Consortium](#)

P = 10 watts for E10WMCP

Emergency Lumen Output Example - 10 Watt Battery

Approximate Luminaire Efficacy	Approximate Lumens at 1 Minute	Approximate Lumens at 45 Minutes	Approximate Lumens at 90 Minutes
100 LPW	1000	1000	1000
110 LPW	1100	1100	1100
120 LPW	1200	1200	1200
130 LPW	1300	1300	1300
140 LPW	1400	1400	1400
150 LPW	1500	1500	1500

Ambient Temperature Ratings

Mounting	SBGR Sensor	SBG BTP or NLTAIR2 RSBG Sensors or NLTAIR2 RIO Control Module	E10WMCP Battery	Voltage	Lumens				Supply Wire
					3000LM	5000LM	8000LM	10000LM	
PM UNM YK90	N	N	N	Any	-40°C to 65°C	-40°C to 65°C	-40°C to 60°C	-40°C to 55°C	90°C
			Y	120-277	5°C to 40°C	5°C to 40°C	5°C to 35°C	5°C to 35°C	90°C
		N	Any	-40°C to 60°C	-40°C to 60°C	-40°C to 60°C	-40°C to 55°C	90°C	
	Y	N	N	Any	-40°C to 65°C	-40°C to 65°C	-40°C to 60°C	-40°C to 55°C	90°C
			Y	120-277	5°C to 40°C	5°C to 40°C	5°C to 35°C	5°C to 35°C	90°C
		N	Any	-40°C to 65°C	-40°C to 65°C	-40°C to 60°C	-40°C to 55°C	90°C	

Marine/NEMA4X Compatibility

Option Group	Options	Marine	NEMA4X
Distribution	FWD, MDO, MDU5, MDU5FR, LND, WD	YES	YES
	SO, SOLND	NO	NO
Mounting	PM, UNM	YES	YES
	YK90	NO	YES
Finish	DBXD, DNXD	NO	NO
	DGXD	YES	YES
	DWHXD	YES	NO
Cordsets	Any Cordset	NO	NO
Hook	HKMW	NO	NO
Individual Sensors	SBGR10, SBGR10 P, SBGR10 D 3V	NO	NO
Bluetooth Sensors	SBG10 OCC BTP, SBG10 HL BTP, SBG10 ADC BTP, SBG10 ANL BTP	NO	NO
nLight Air	NLTAIR2 RSBG10, NLTAIR2 RIO	NO	NO
Emergency	E10WMCP	NO	NO
Photocontrols	BP, PER, PCS, P34, P48, PSC	NO	NO
Options	A0	YES	YES
	CR	YES	YES
	EMD	YES	YES
	FPA	YES	YES
	NSG	NO	NO
	PC, PCPXLW	NO	NO
	UPS, UPSPXLW	YES	YES
	WGX, WGPXLW	YES	YES
Mounting Accessories	072331, 072331CTL, 072332CTL, 072332CTL	YES	NO
	P3US, P3US35	NO	NO

Options and Accessories



HKMW (PF-291) Hook



SBGR Sensor



SBG BTP Sensor and Smarthub BTP Control Module



nLight Air RSBG Sensor



nLight Air RIO Control Module



AO Adjustable Output Module



PM Pendant Mount



UNM Universal Mount and WGX Wire Guard



YK90 Yoke Mount